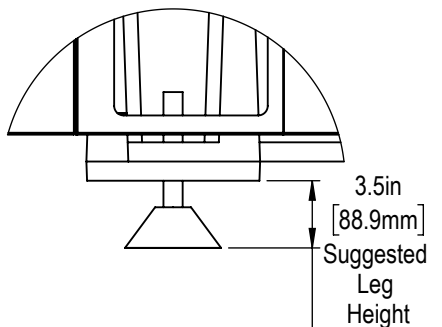
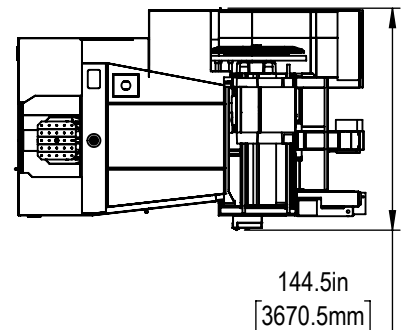
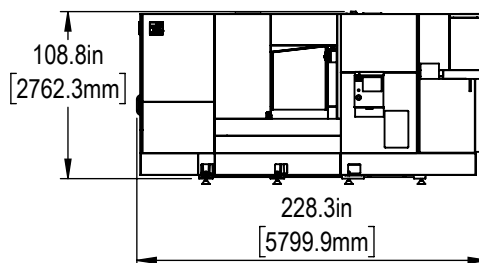


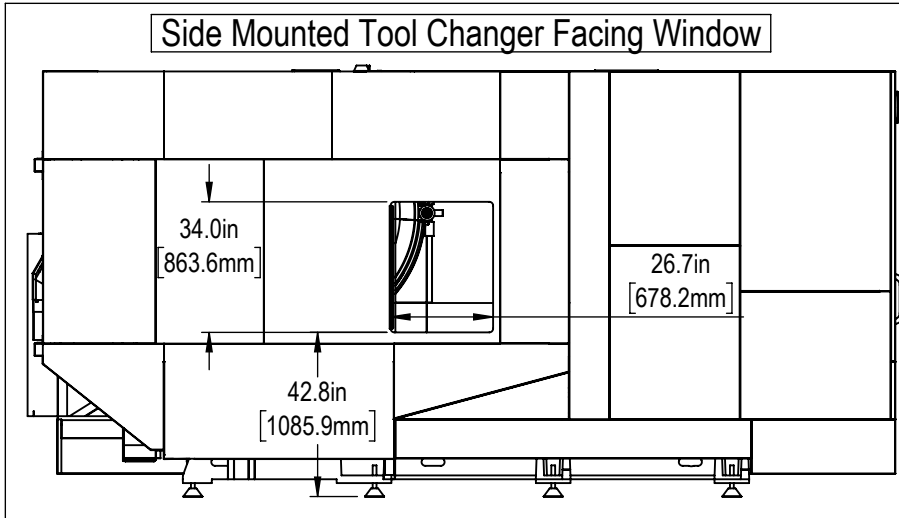
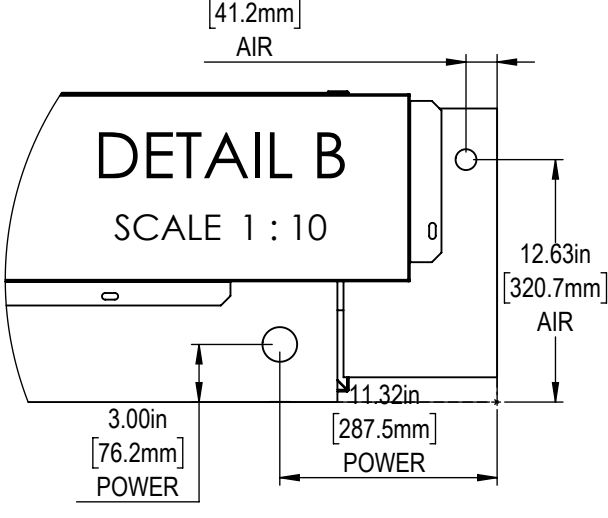
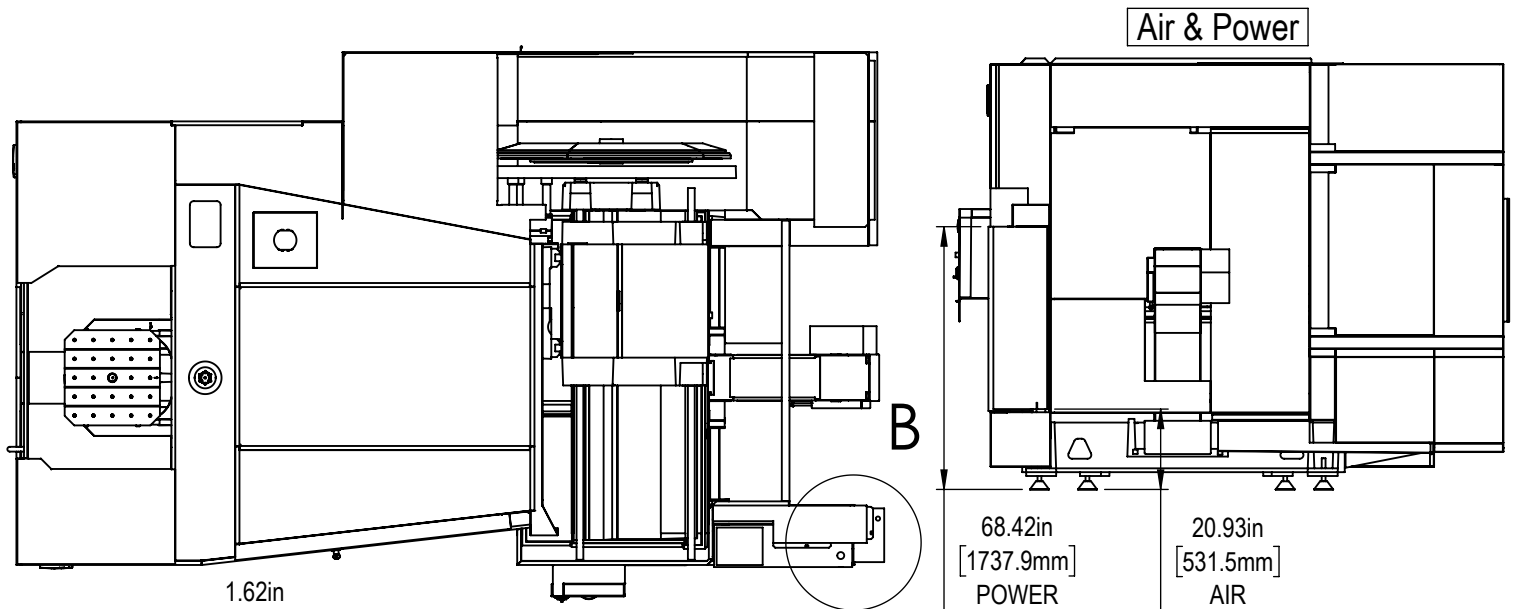
Leveling Pad



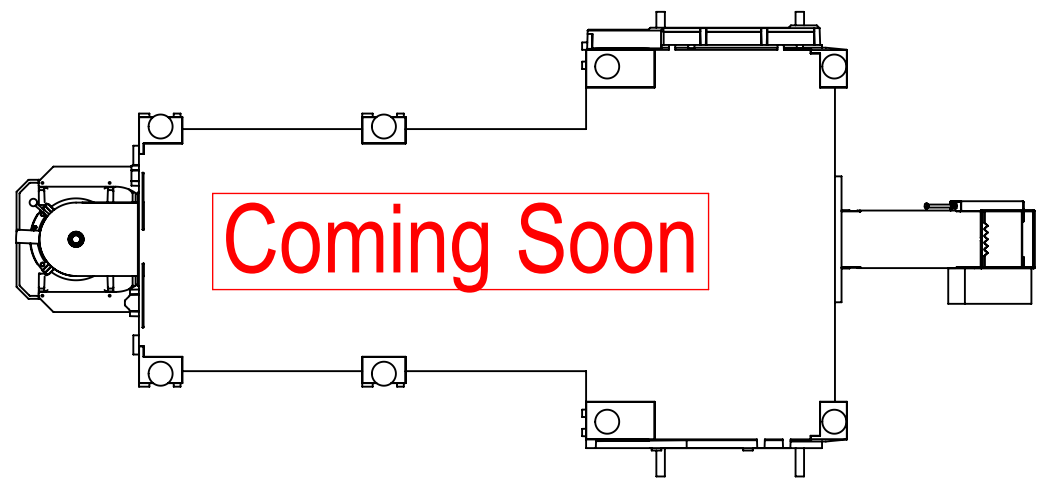
Shipping Dimensions



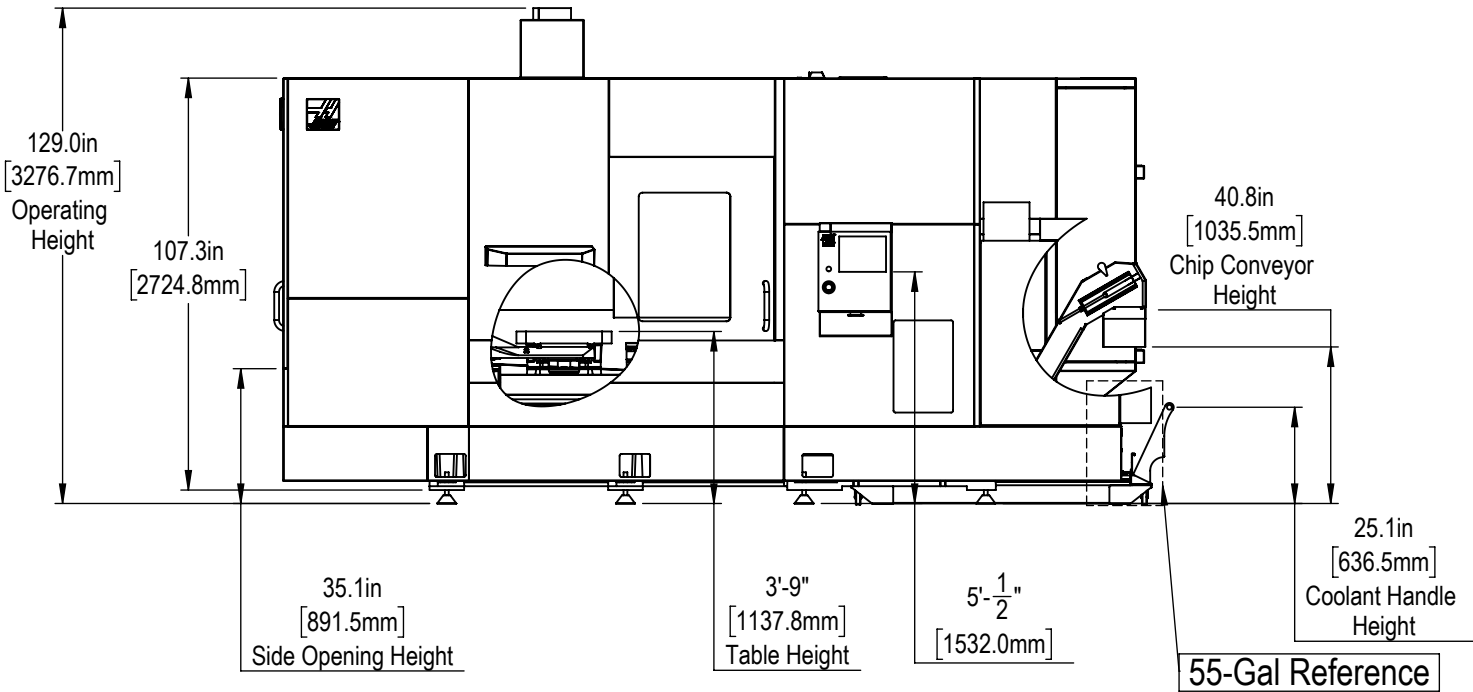
*All Height Dimensions Based on Suggested Leg Height



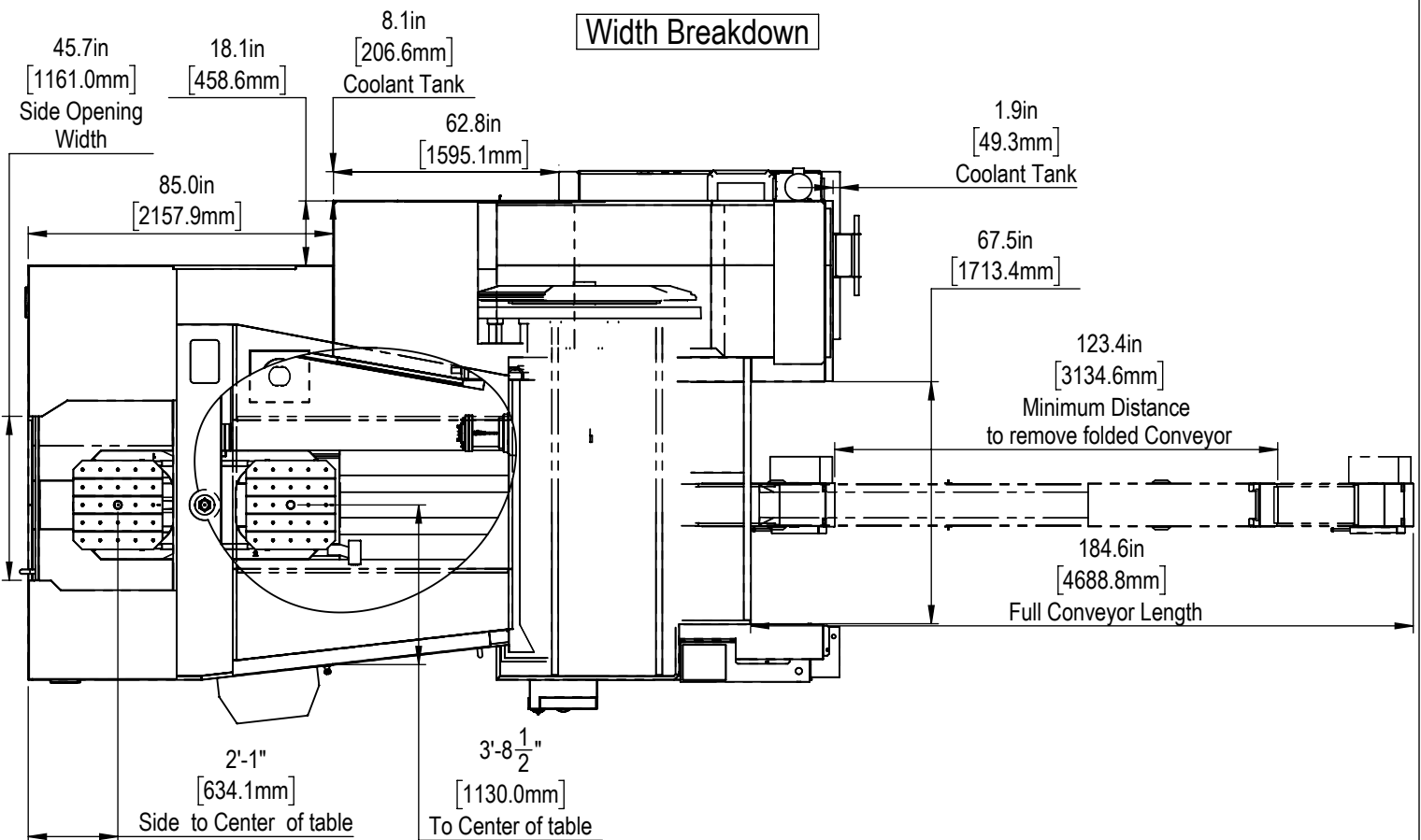
Anchor Pattern



Height Breakdown



Width Breakdown

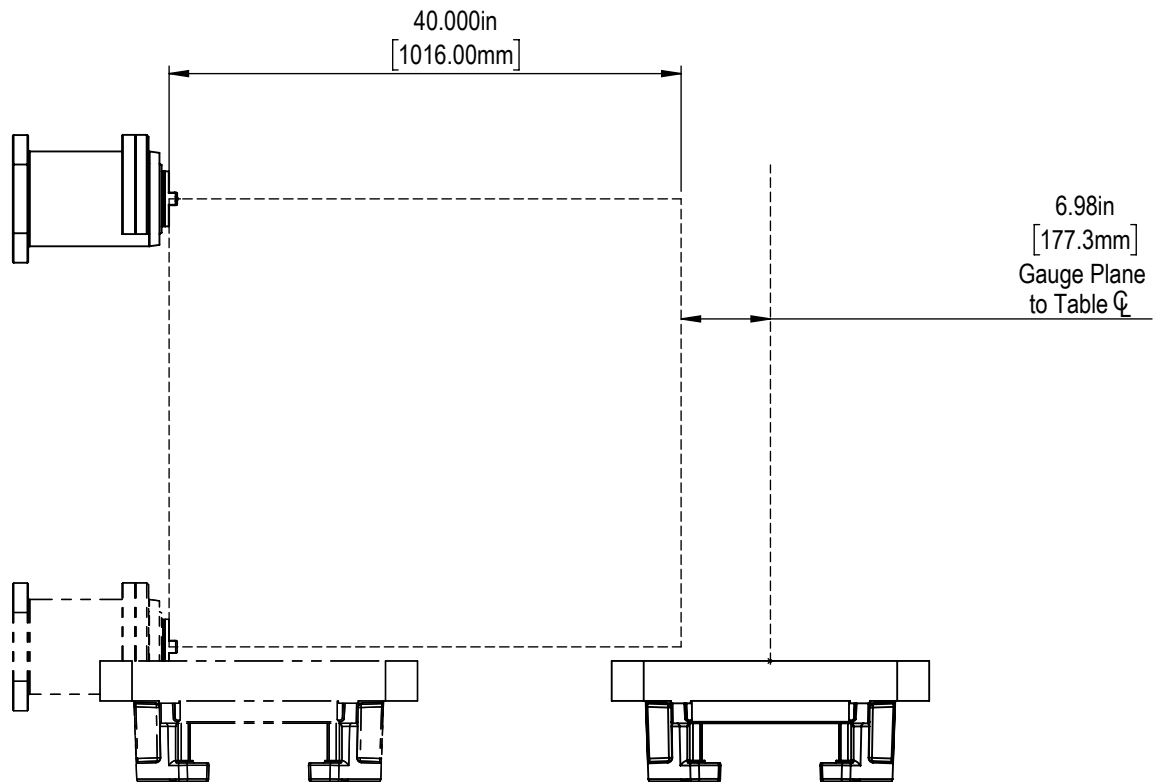
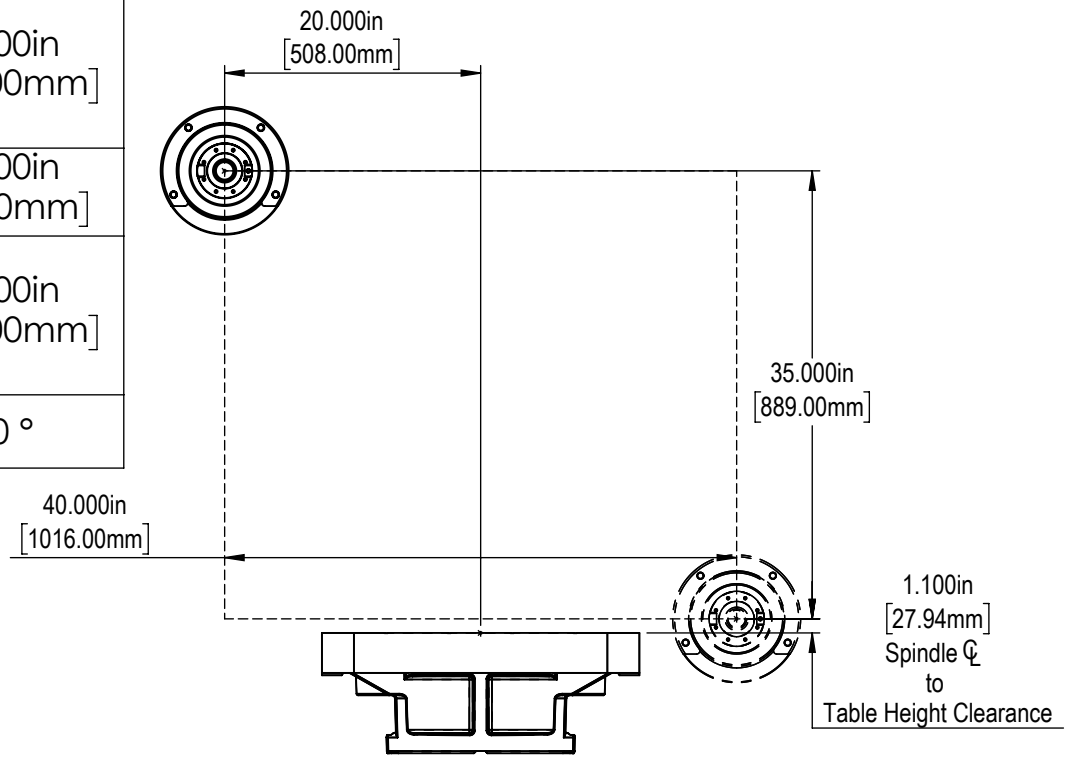


Maintain 3 feet [915mm] clearance to the nearest obstruction around all sides of machine perimeter for maintenance access

MAX TRAVELS

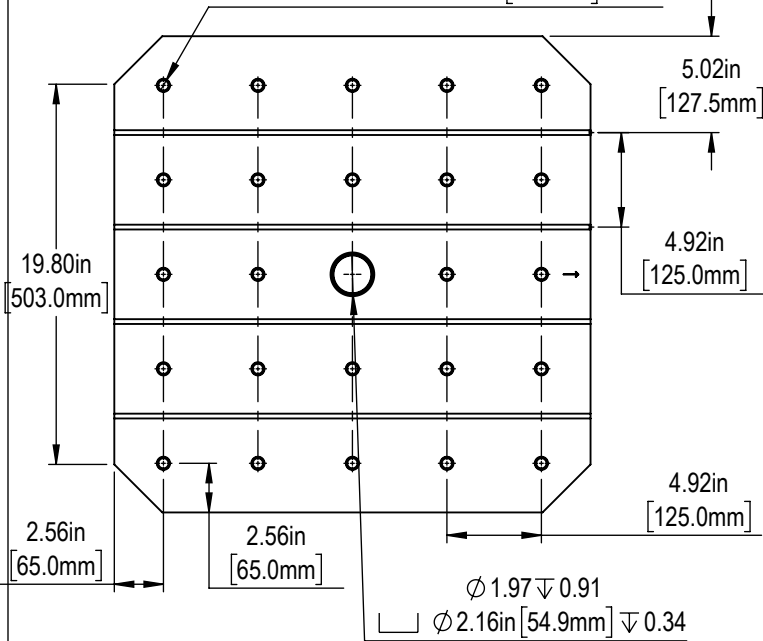
X	40.000in [1016.00mm]
Y	35.000in [889.00mm]
Z	40.000in [1016.00mm]
B	360 °

X&Y Axis Clearance



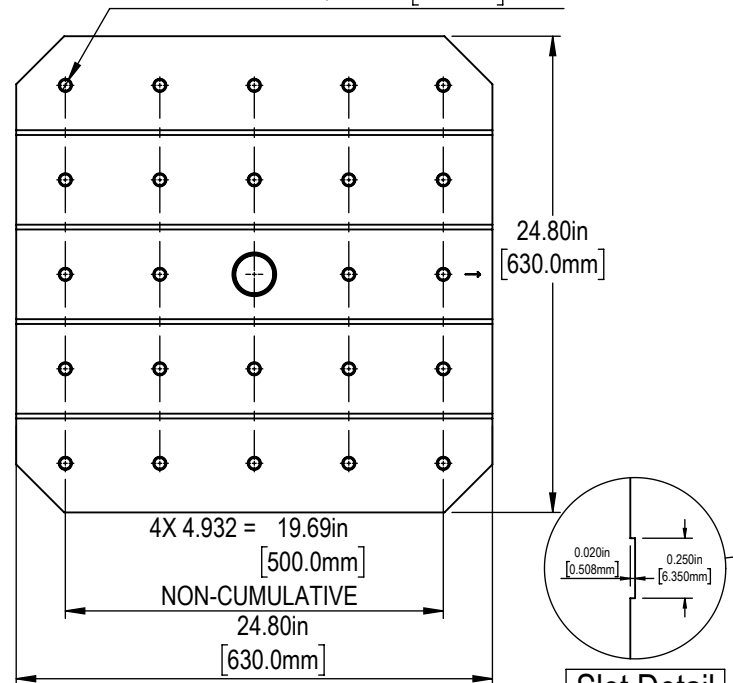
SAE/ Inch Pallet

24 x \varnothing 0.53in [13.5mm] ∇ 1.75in [44.5mm]
5/8-11 UNC ∇ 1.25in [31.8mm]



ISO/Metric Pallet

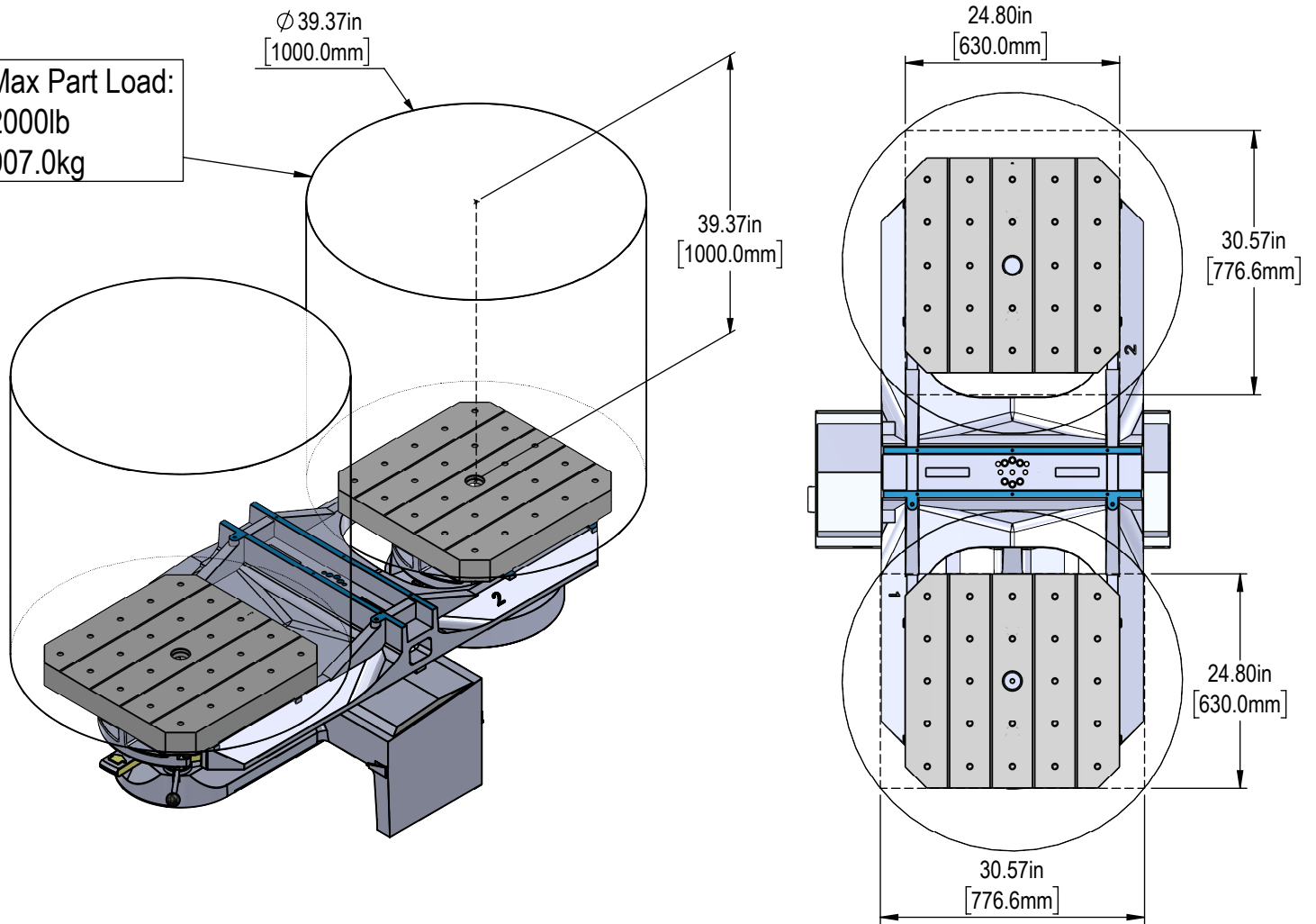
24 x \varnothing 0.55in [14.0mm] ∇ 1.75in [44.5mm]
M16x2.0 - 6H ∇ 1.25in [31.8mm]



Both Pallets Identical Besides Hole Dimensions

Slot Detail

Max Part Load:
2000lb
907.0kg



All dimensions based on stackup of sheetmetal, subject to variation of 1/2" (13 mm). Due to continual product improvements, dimensions are subject to change without notice

