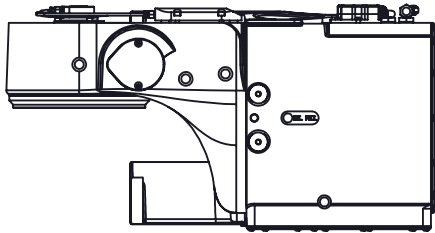
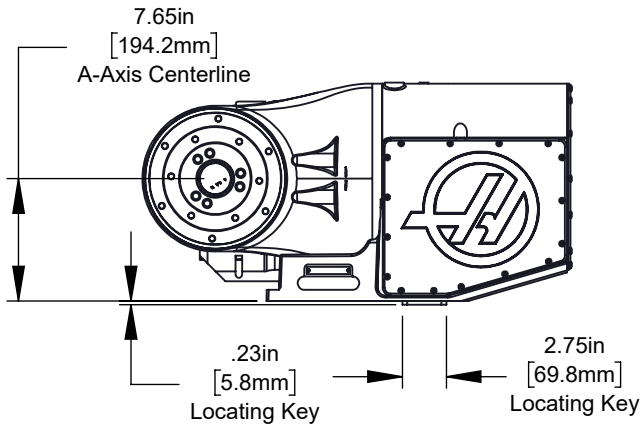


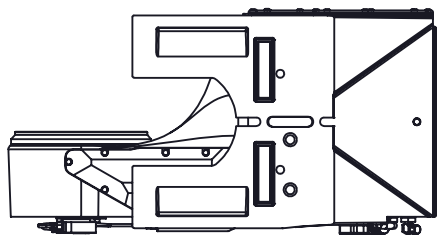
Top View
Platter Rotated 90° to Base



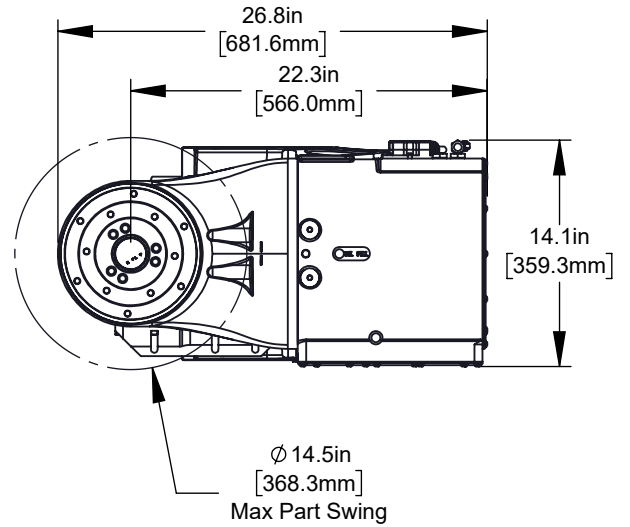
Front View
Platter Rotated 90° to Base



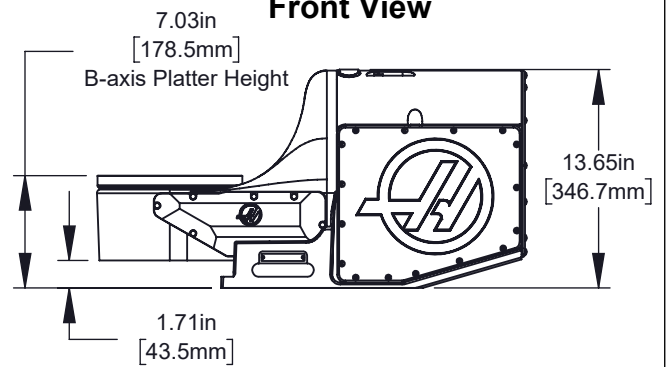
Bottom View
Platter Rotated 90° to Base



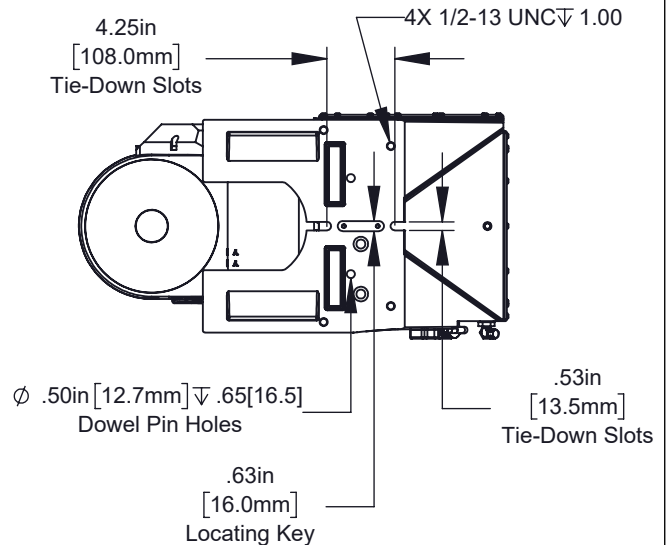
Top View



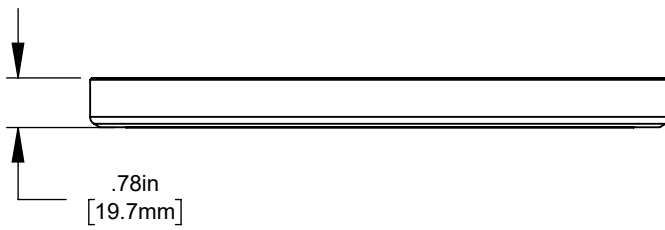
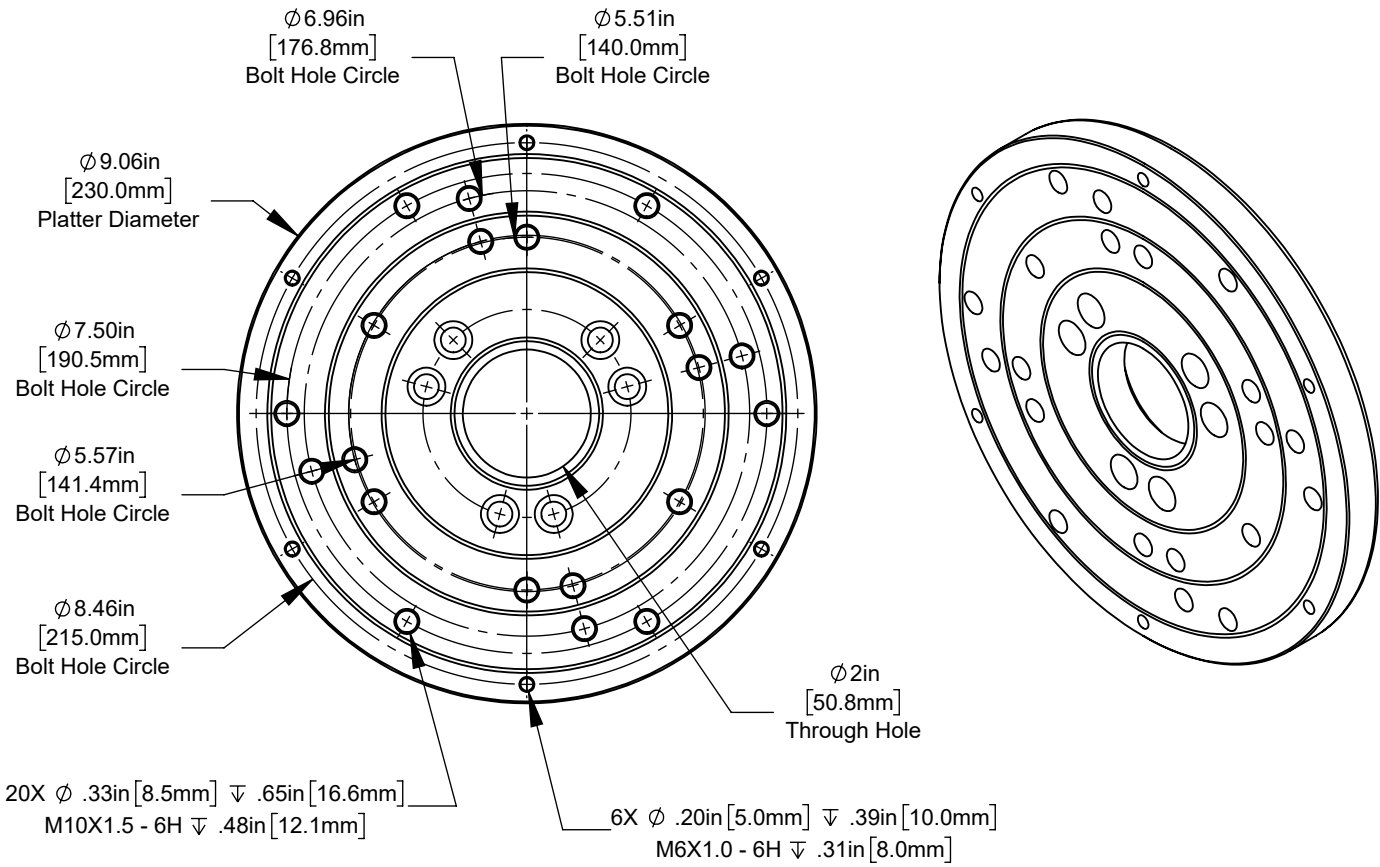
Front View



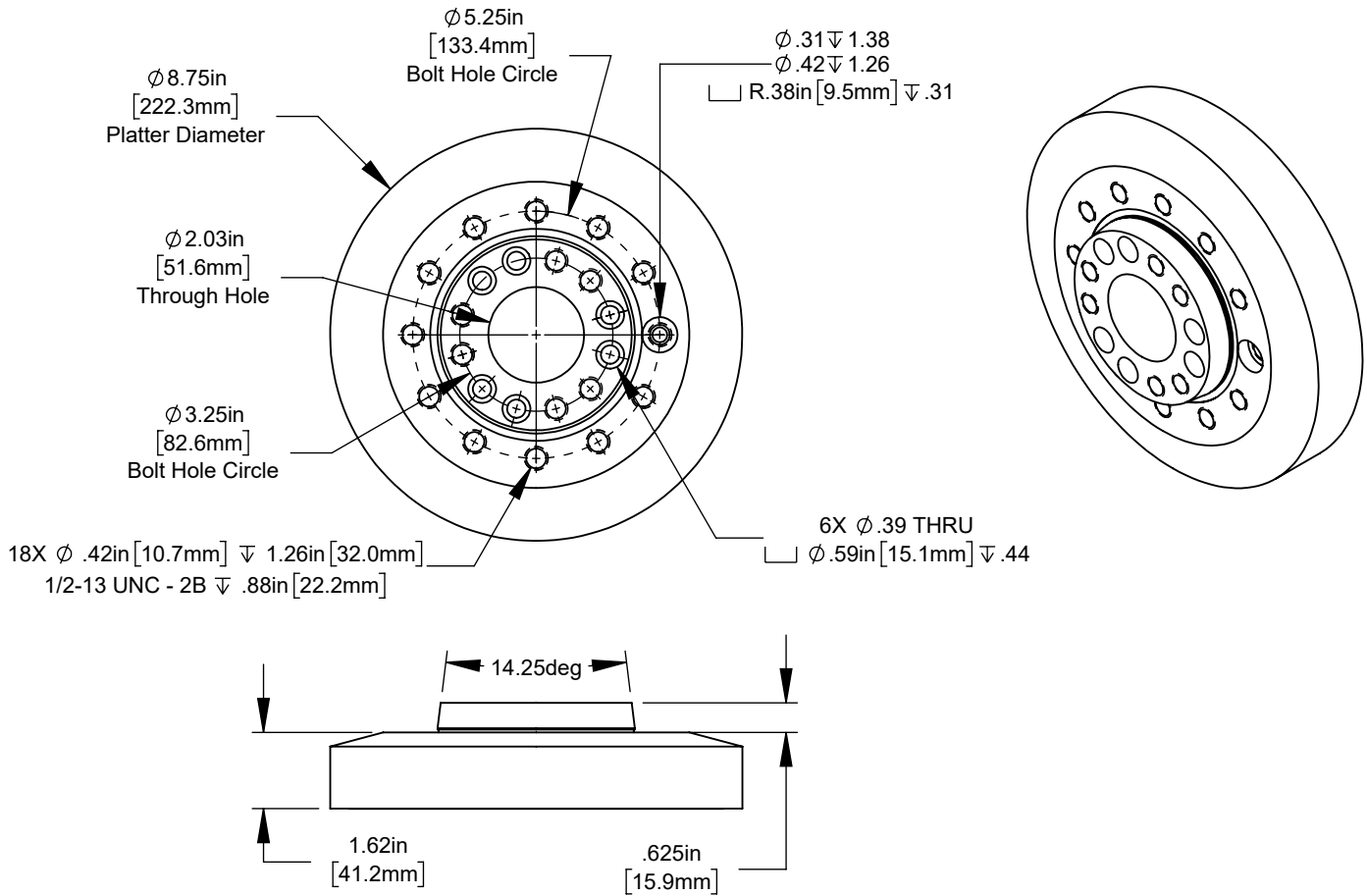
Bottom View



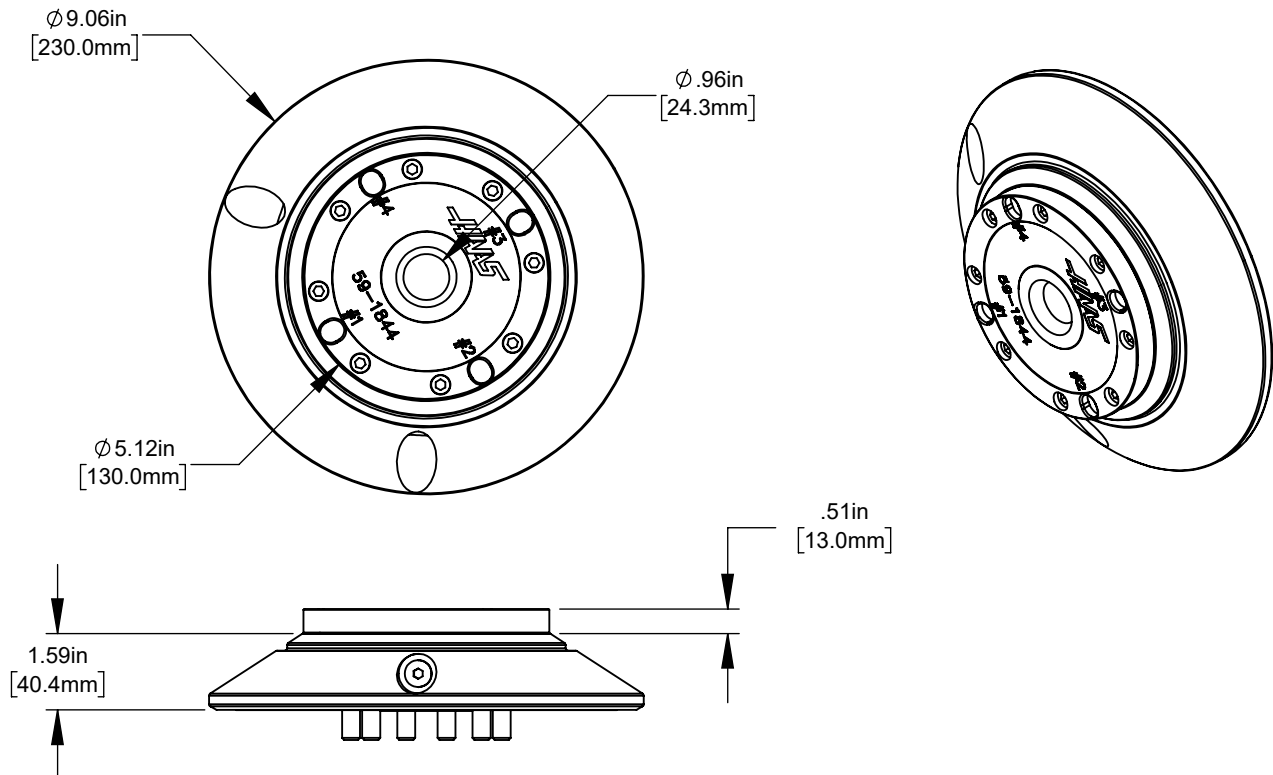
All dimensions based on stackup of sheetmetal, subject to variation of 1/2" (13 mm)



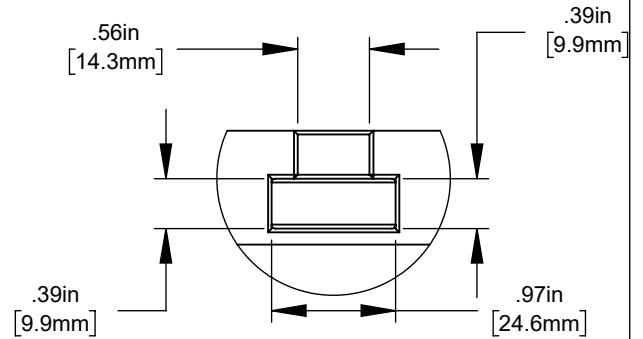
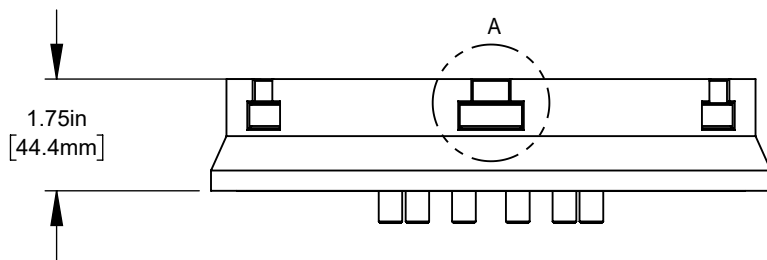
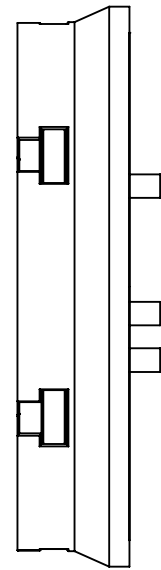
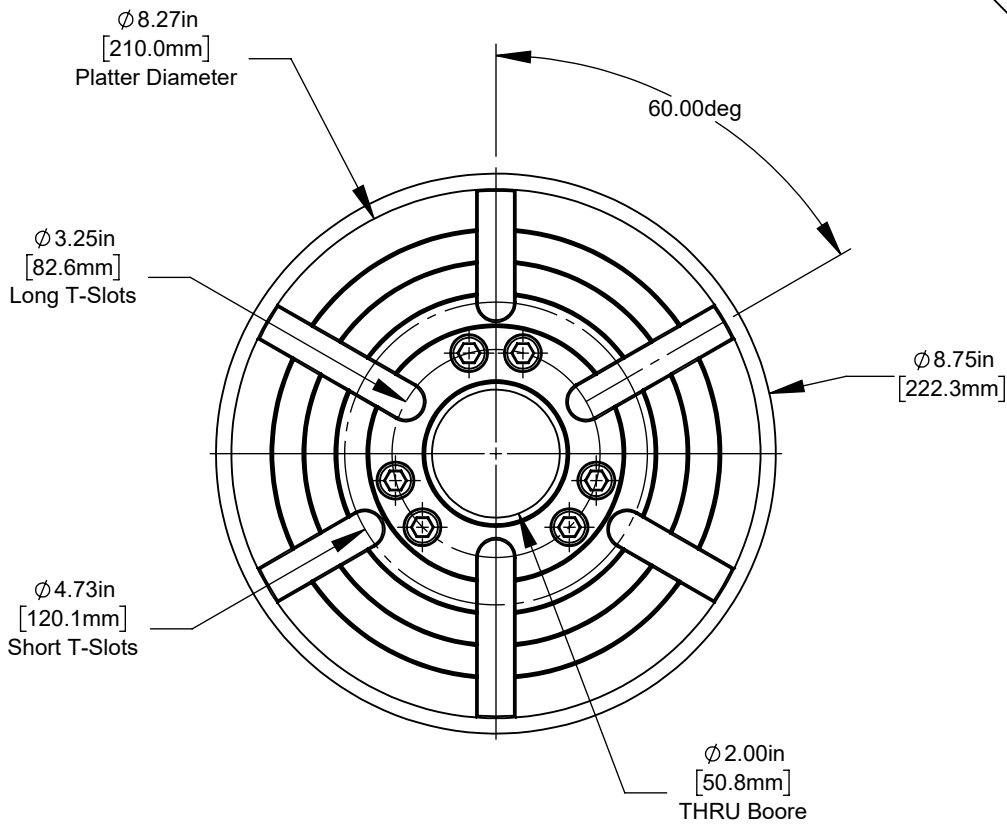
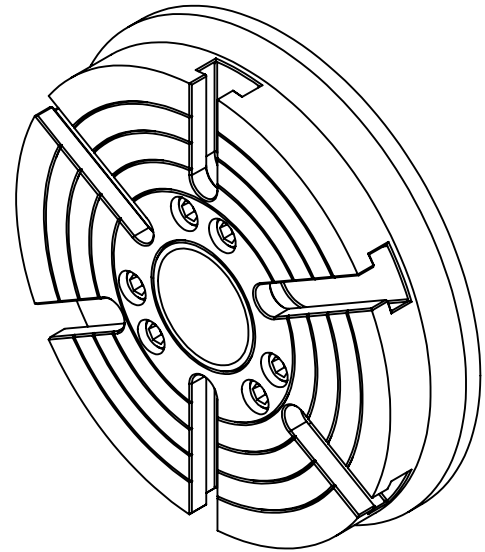
A6 Optional Platter



Zero Point Optional Platter



T-Slot Platter



DETAIL A
SCALE 2 : 3