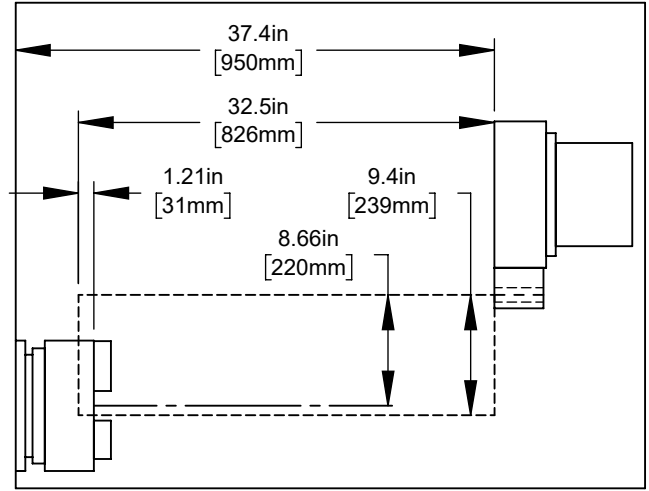
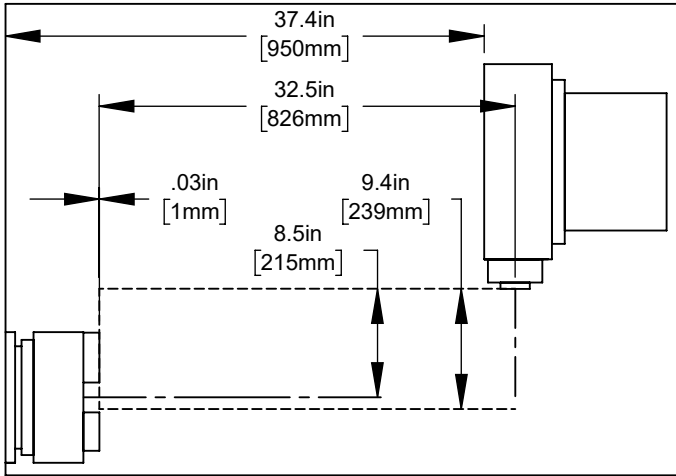


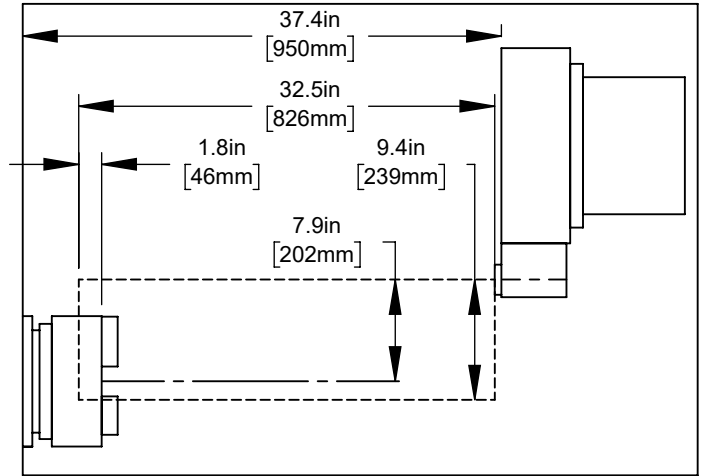
BMT OD



BMT ID / Drill / Bore (\*) \*\*



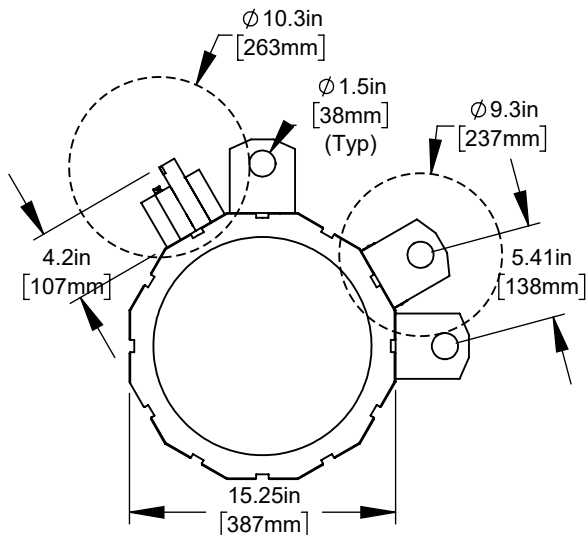
BMT Live Cross Tool \*



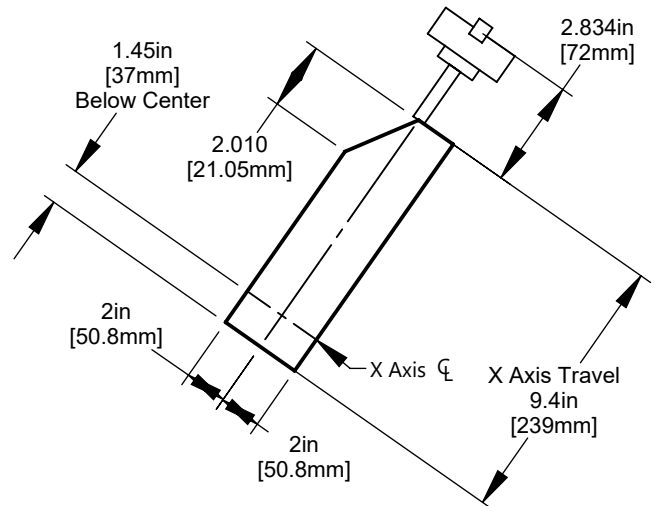
BMT Live Face Tool \*\*

\* Shift the work envelope in X by the tool protrusion length (OD) or centerline offset (ID)

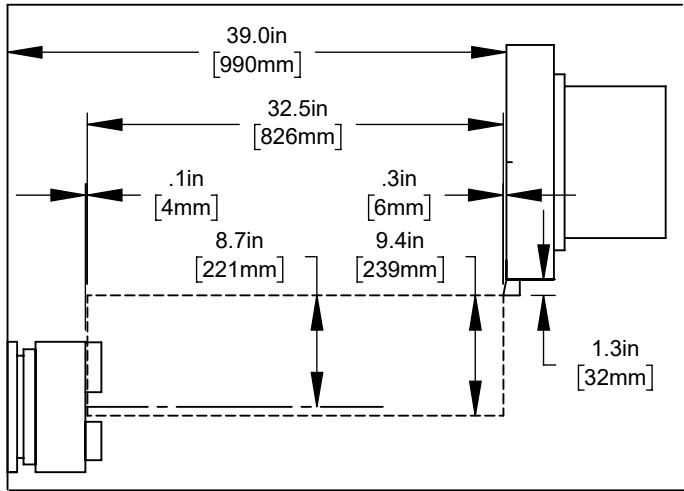
\*\* Shift the work envelope in Z by the tool protrusion length



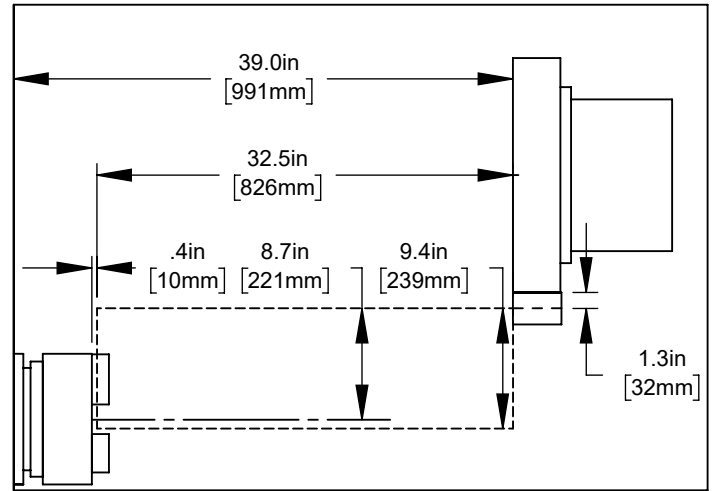
BMT65 Basic Tool Clearance  
Maximum Turret Swing  $\phi 35.0in$  [889mm]



Y Axis Travel Envelope  
Same Dimensions Apply To 90° Live Face Tool



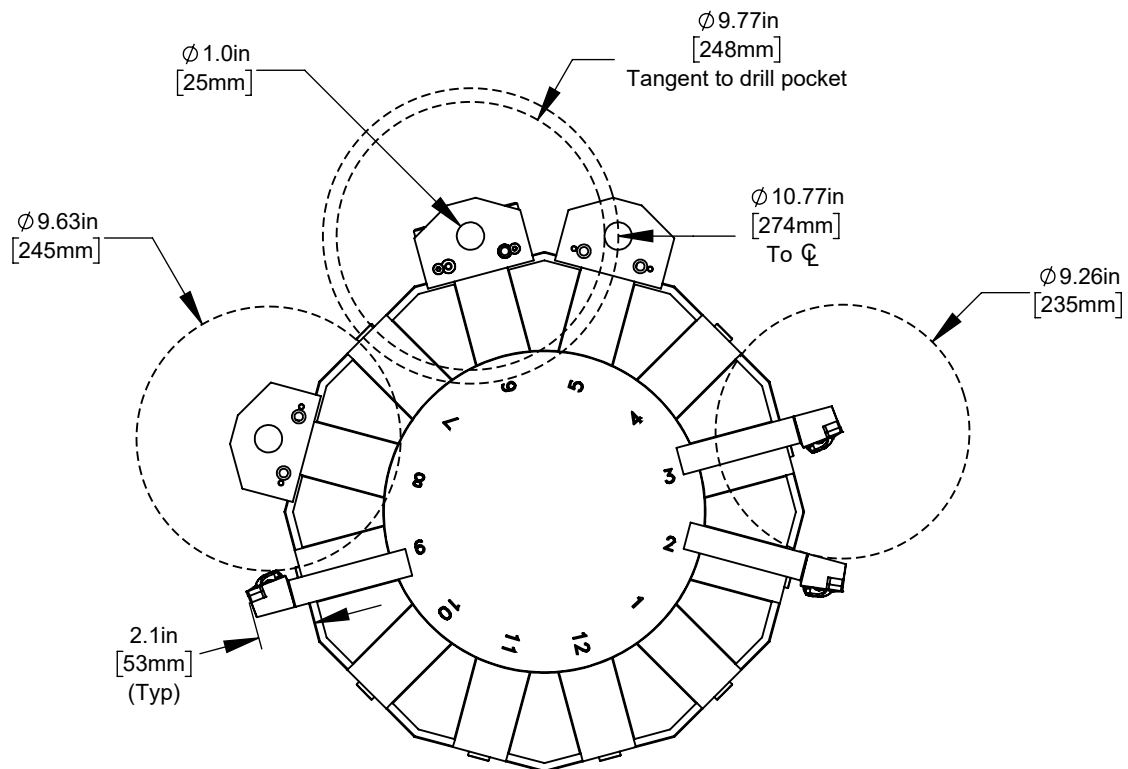
BOT OD



BOT ID / Drill / Bore (\*) \*\*

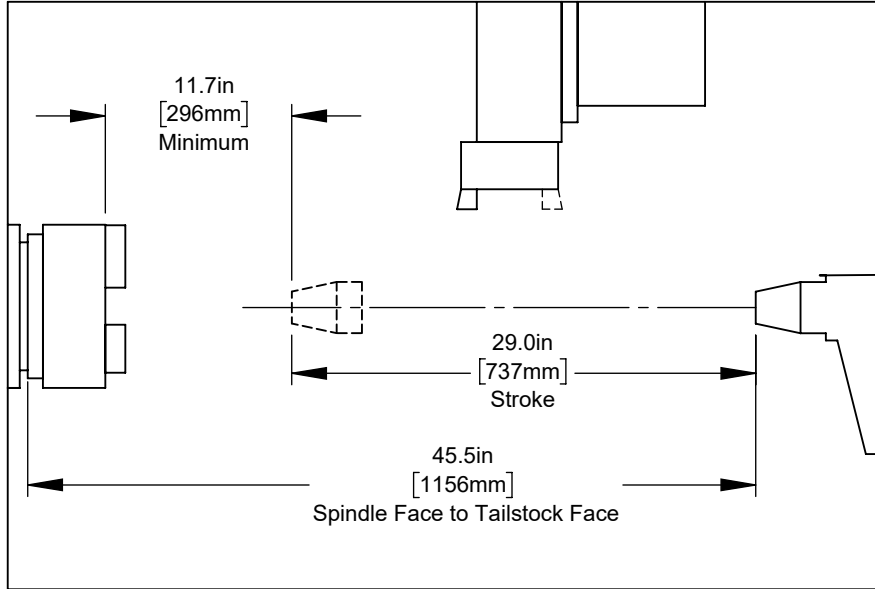
\* Shift the work envelope in X by the tool protrusion length (OD) or centerline offset (ID)

\*\* Shift the work envelope in Z by the tool protrusion length

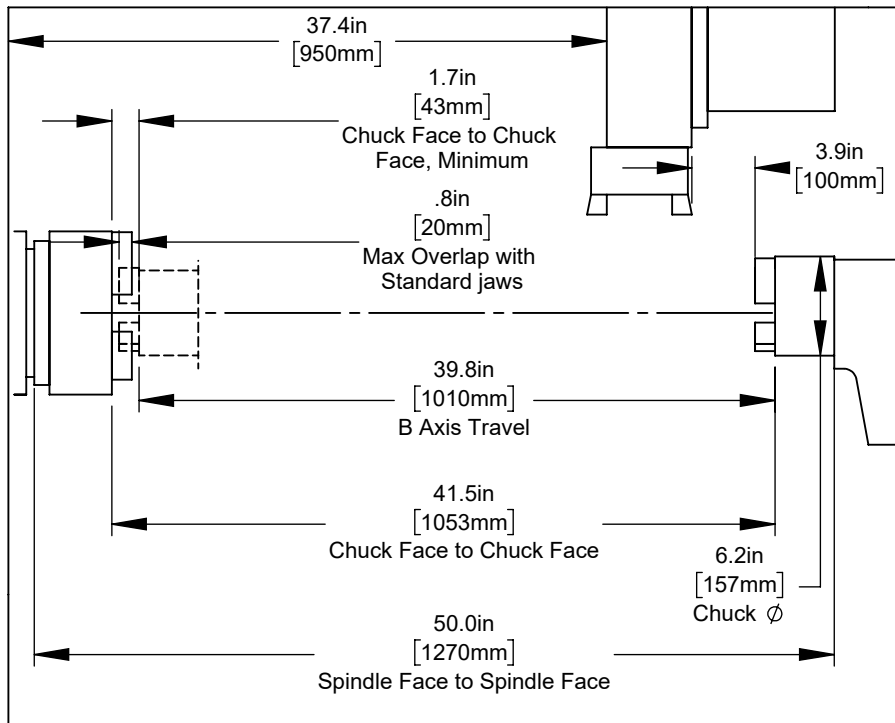


BOT Basic Tool Clearance  
Maximum Turret Swing Ø 35.0in [889mm]

\*Due to continual product improvements, machine dimensions are subject to change without notice.



**Tailstock Option**



**Sub Spindle Option**

## Bar Feeder Layout

NOTE - Bar Feeder is not compatible with 2 Speed Gearbox option due to interference with extended gearbox shroud.  
Barfeeder Diagrams show non-gearbox machine

