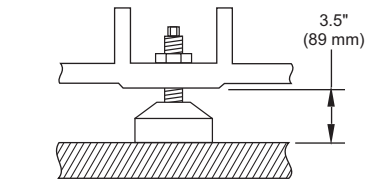
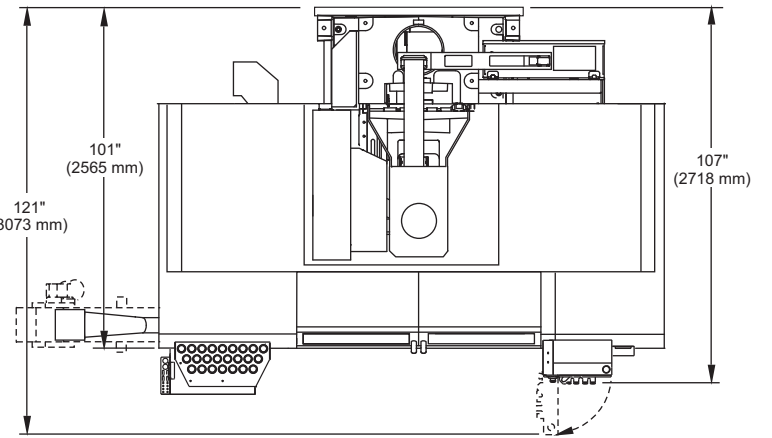


VF-6 Anchor Pattern

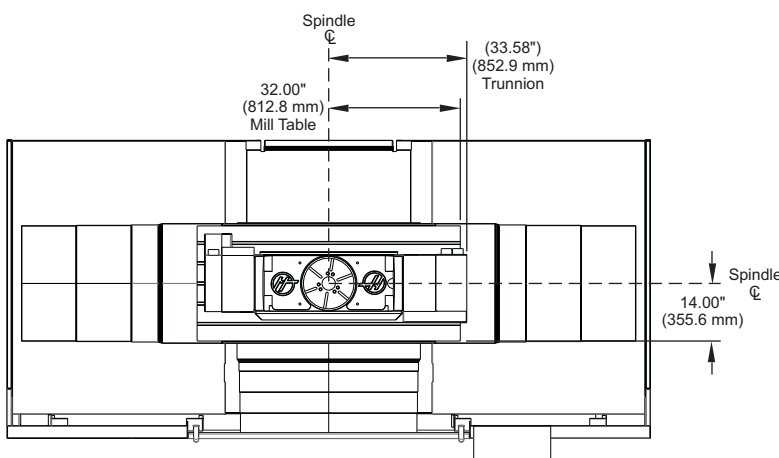
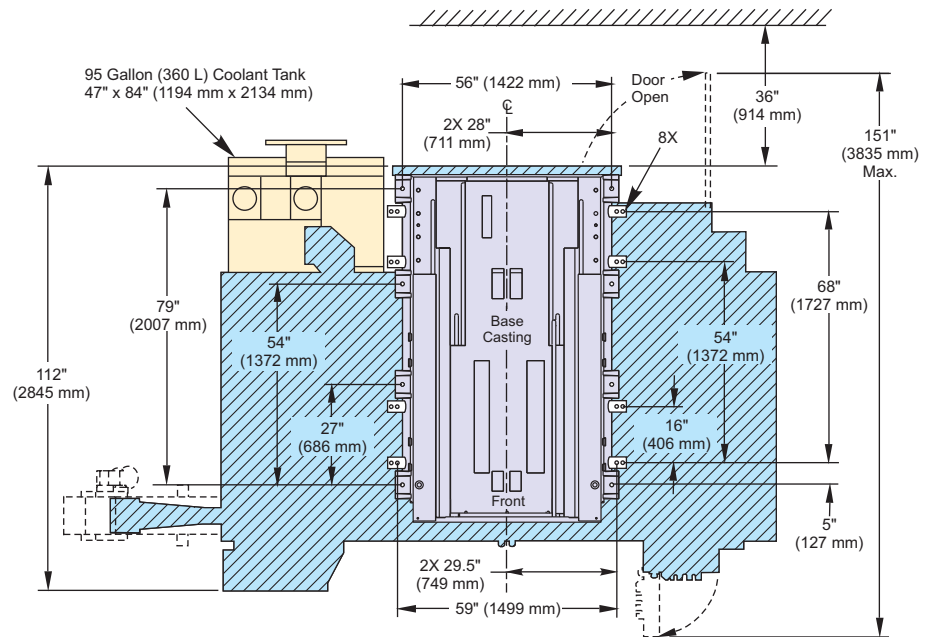
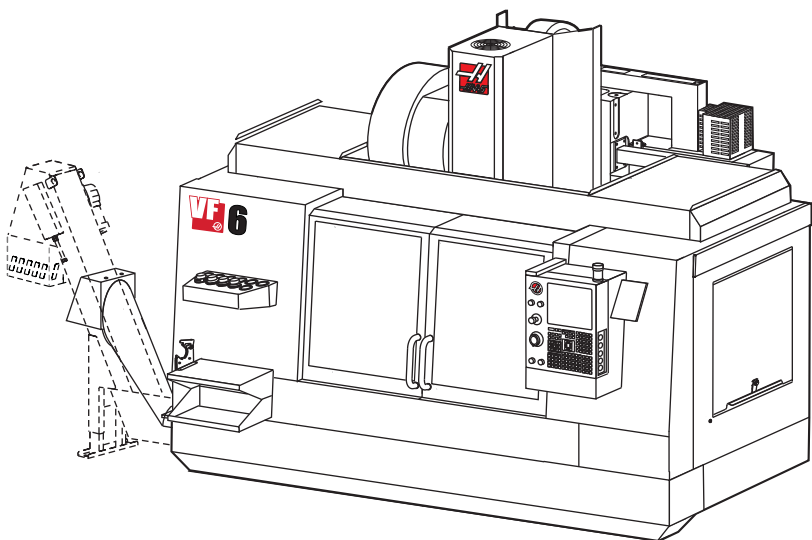
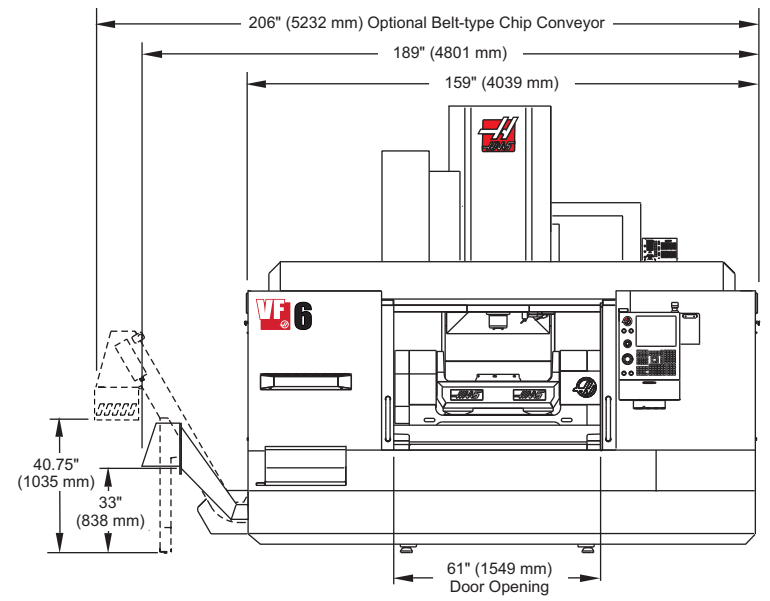
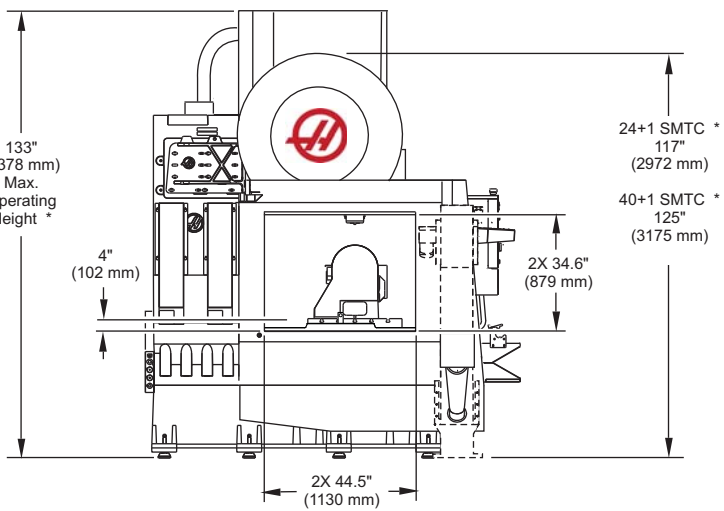


Leveling Pad Pin Dimension

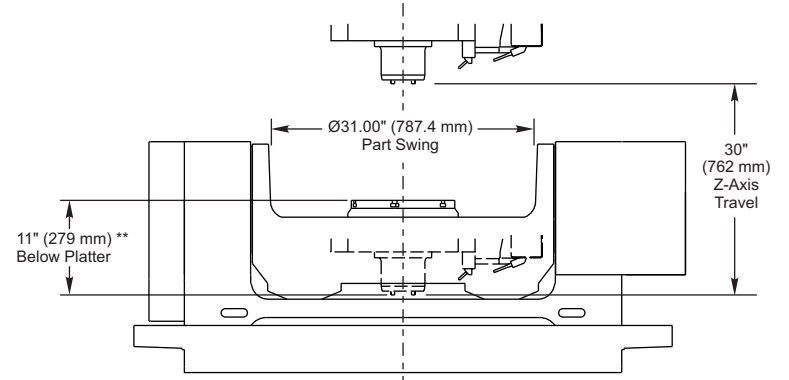
Reference ES0039
Machine Clearance Heights



Two-Step Operator Platform included (not shown)
Length: 72.5" (1842 mm)
Width: 23.5" (570 mm)
Height: 12.5" (318 mm)



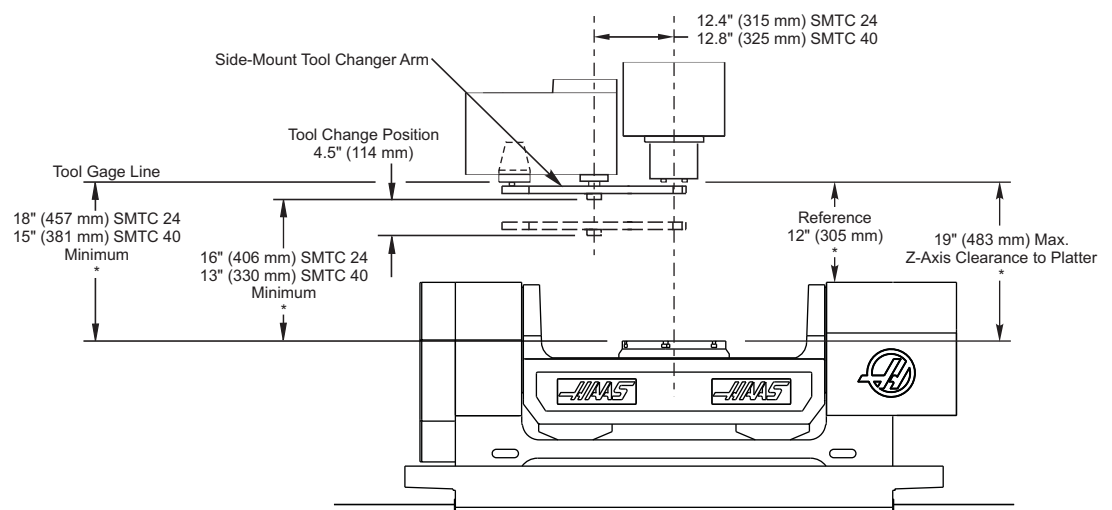
TOP VIEW



FRONT VIEW

For detailed VF-6 table dimensions, see the VF-6/40 layout drawing.

For detailed TR310 dimensions, see the TR310 layout drawing.



* Add 8" (203 mm) for Extended Z-Axis Clearance Option
** Subtract 8" (203 mm) for Extended Z-Axis Clearance Option