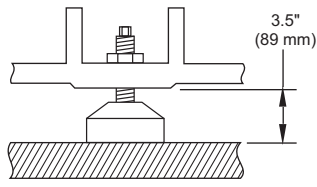


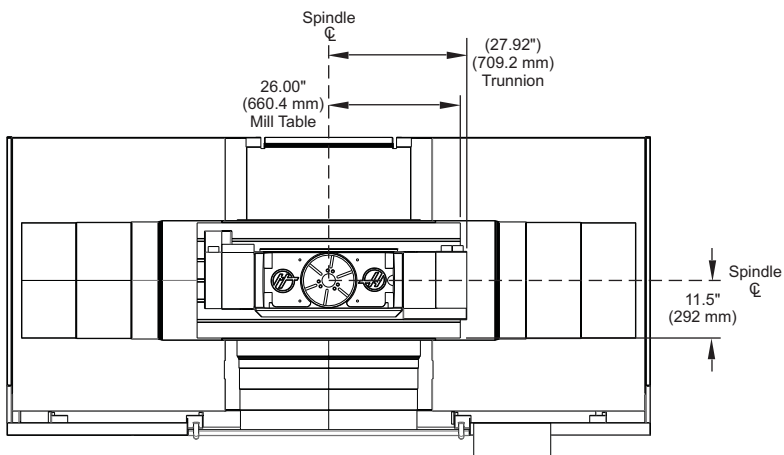
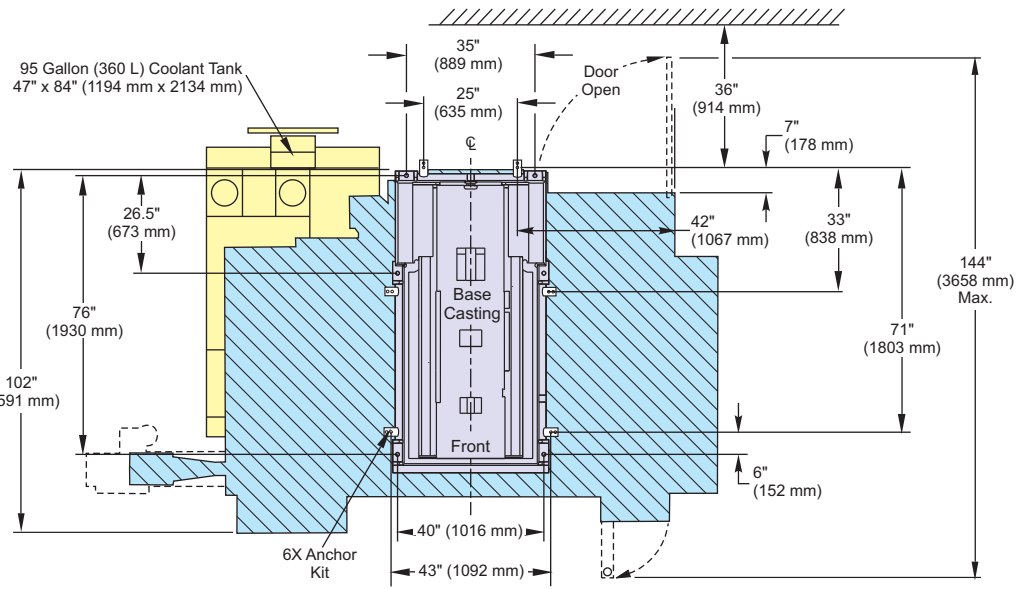
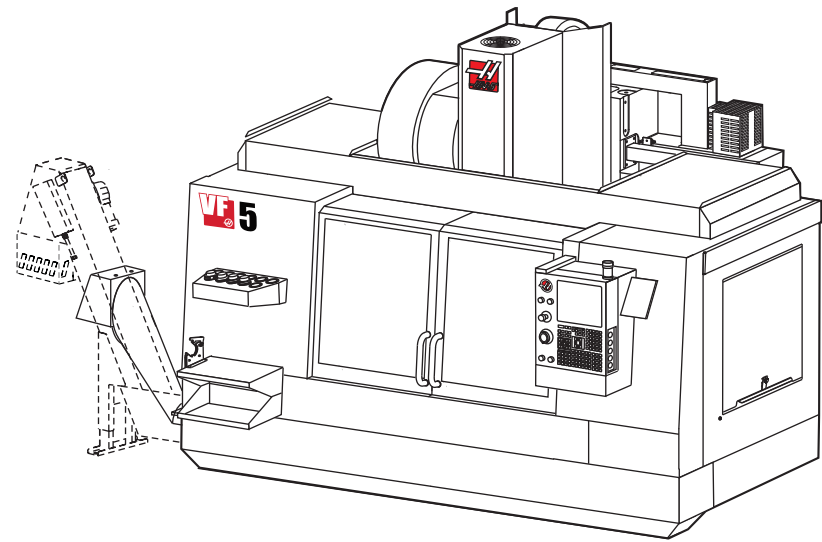
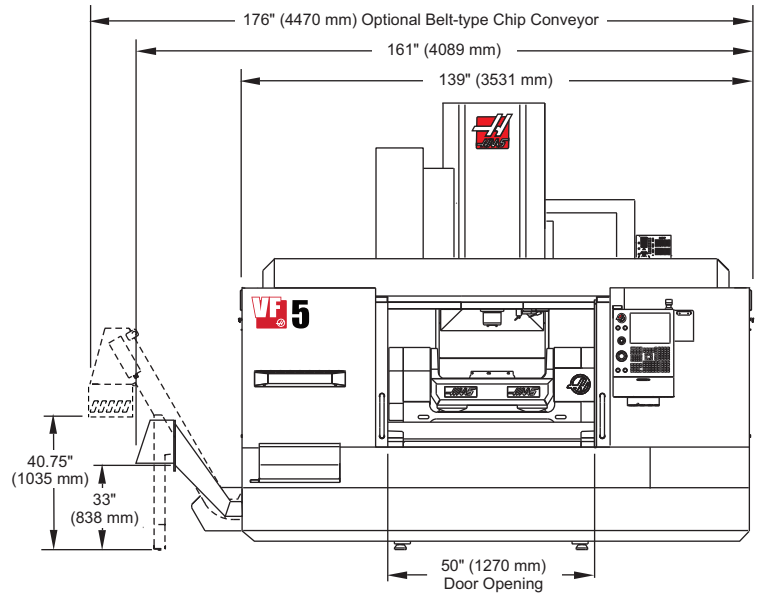
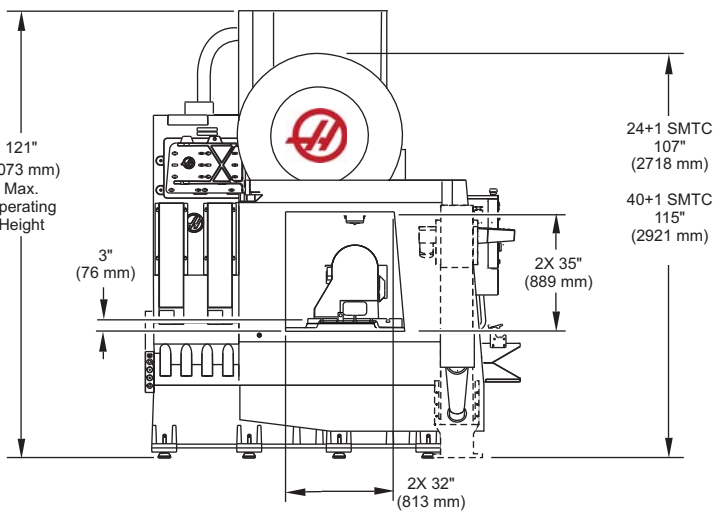
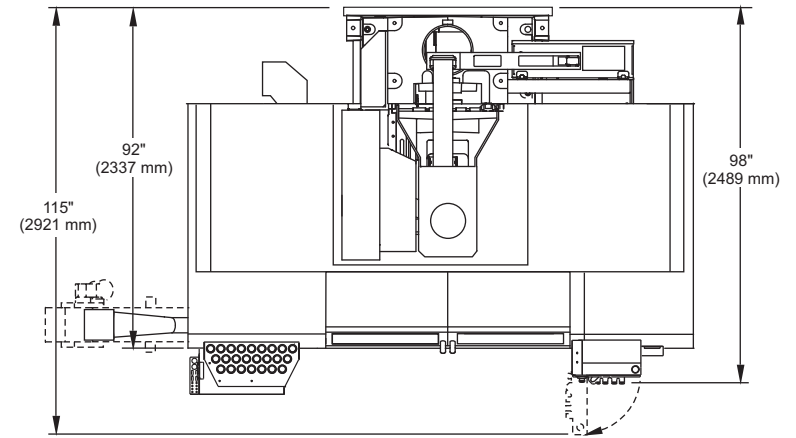
Note:  
Foundation must extend at least 1 ft. (305 mm) from bored holes.

VF-5 Anchor Pattern

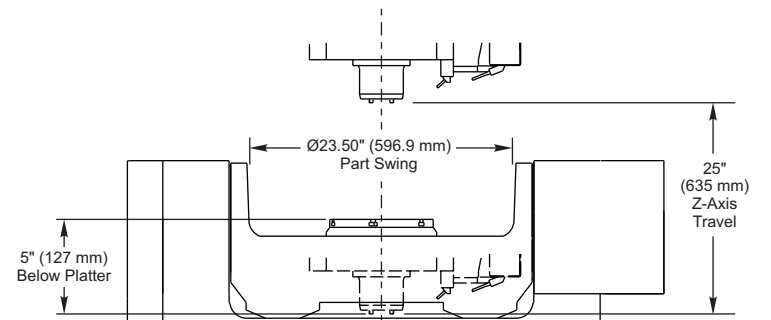


Leveling Pad Pin Dimension

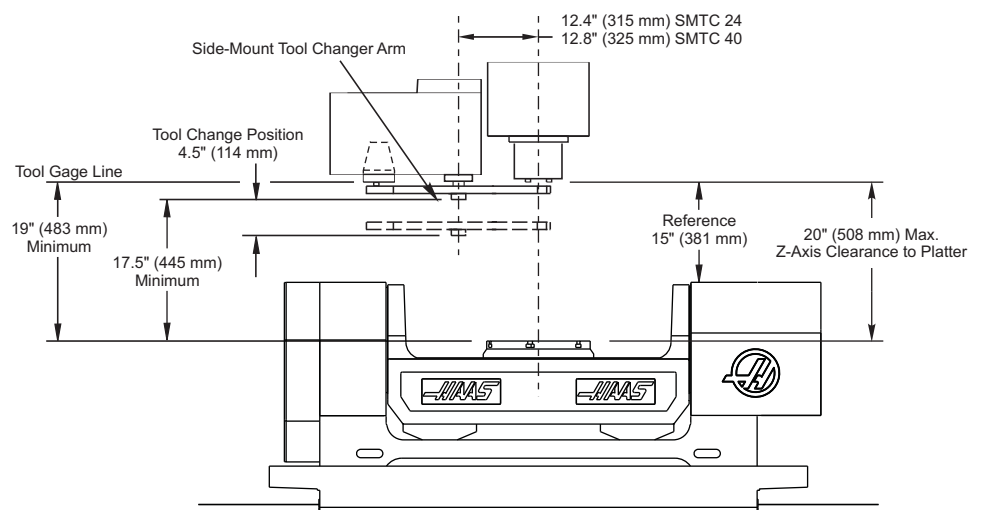
Reference ES0039  
Machine Clearance Heights



TOP VIEW



FRONT VIEW  
24+1 SMTC  
40+1 SMTC



For detailed VF-5 table dimensions, see the VF-5/40 layout drawing.

For detailed TR210 dimensions, see the TR210 layout drawing.