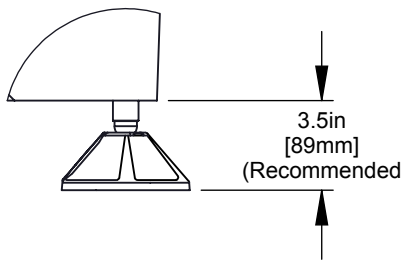
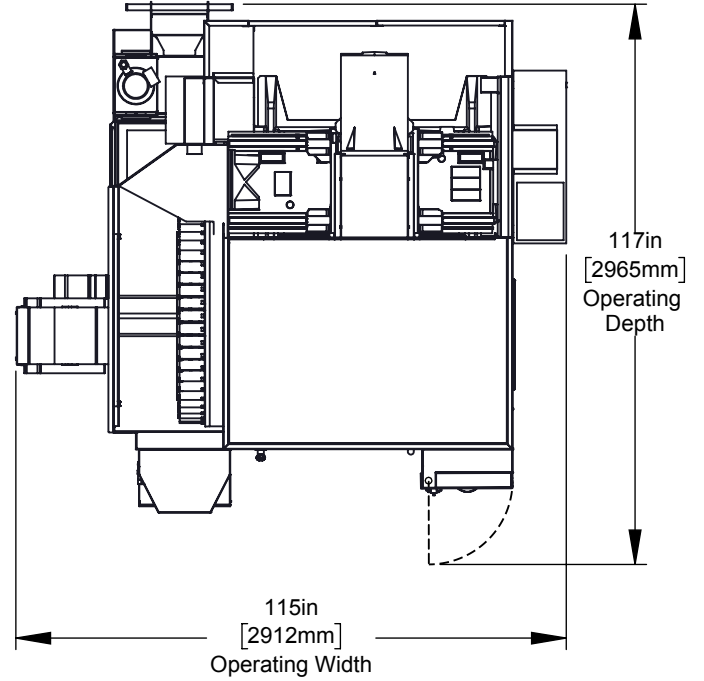
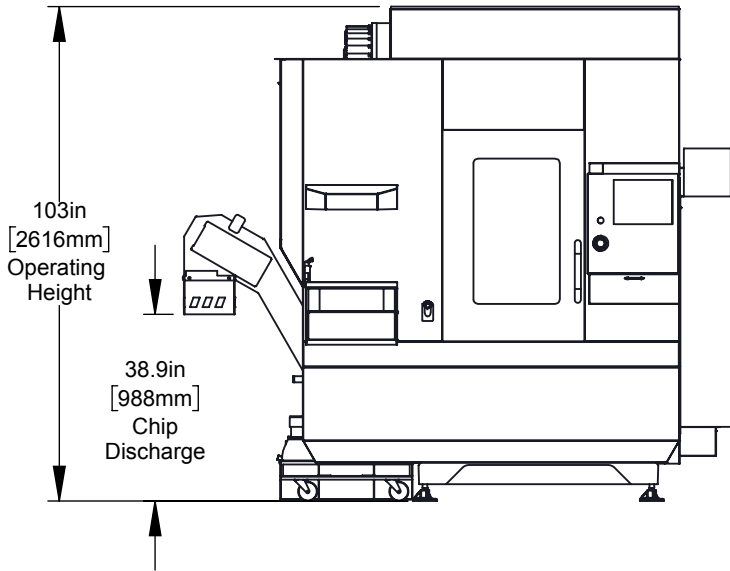
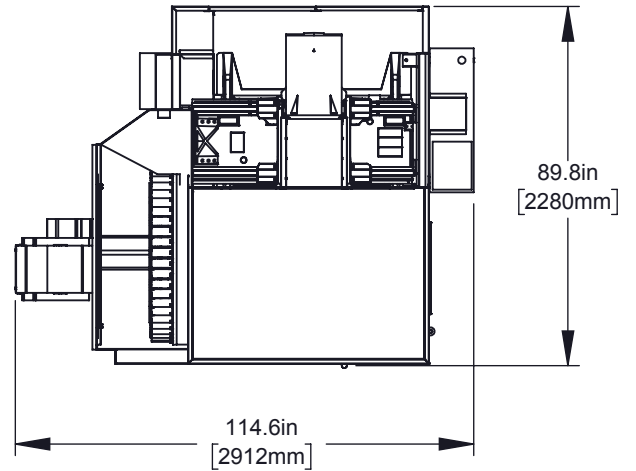
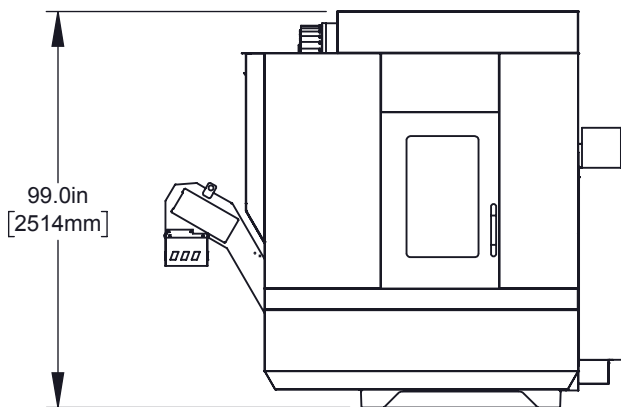


Operating Dimensions

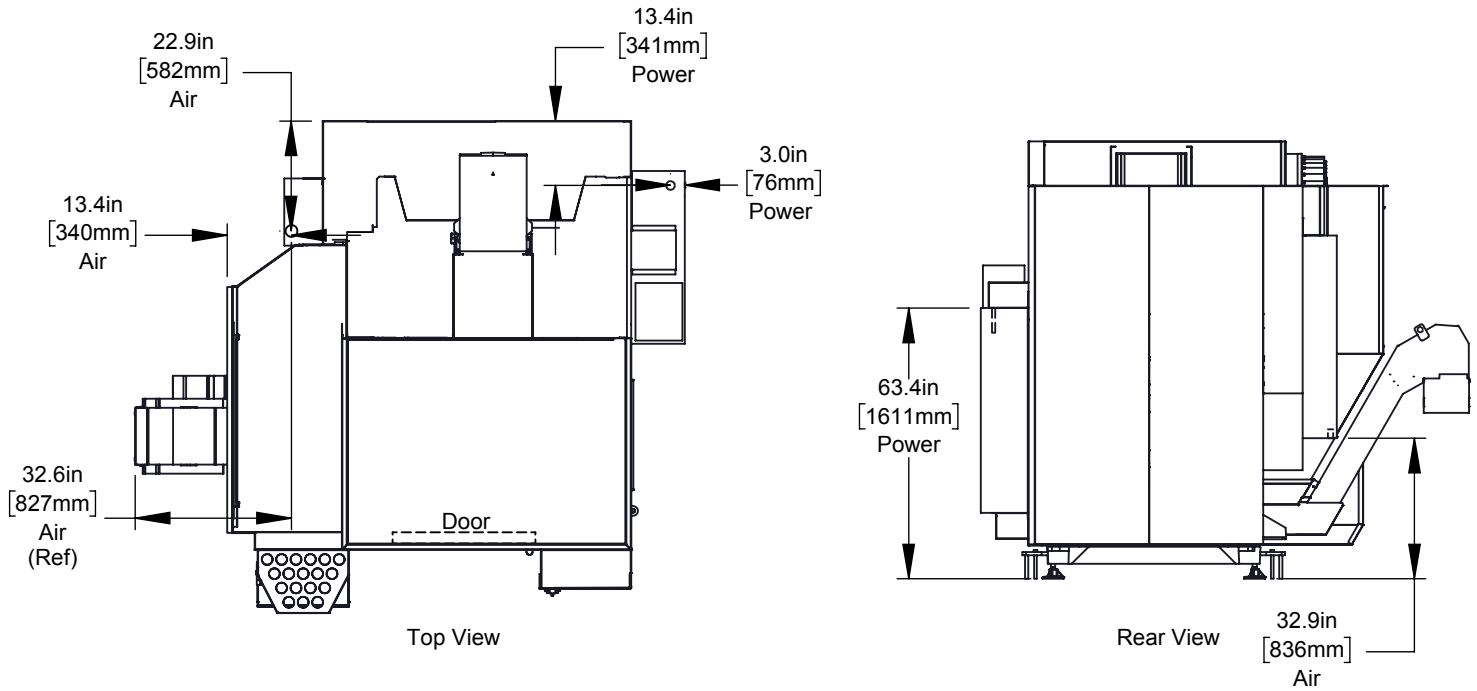


As Shipped



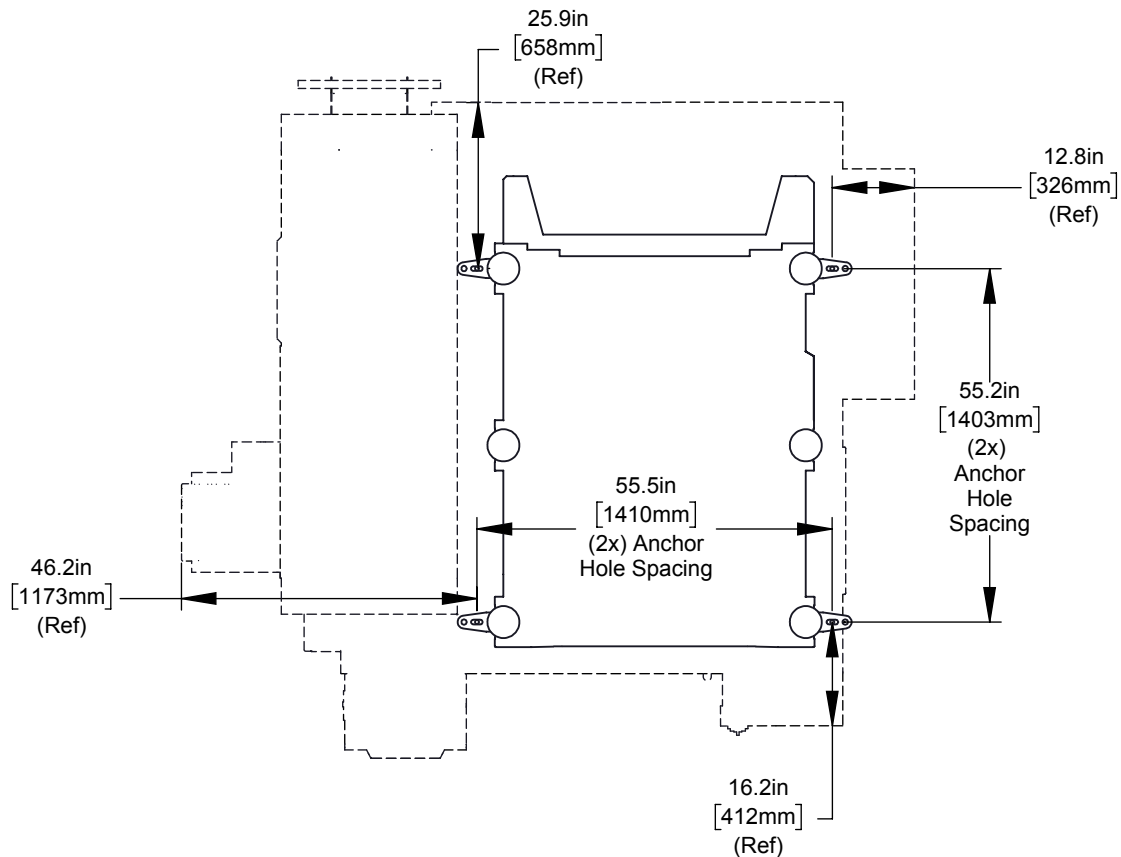
All dimensions based on stackup of sheetmetal, subject to variation of 1/2" (13 mm)

Air & Power

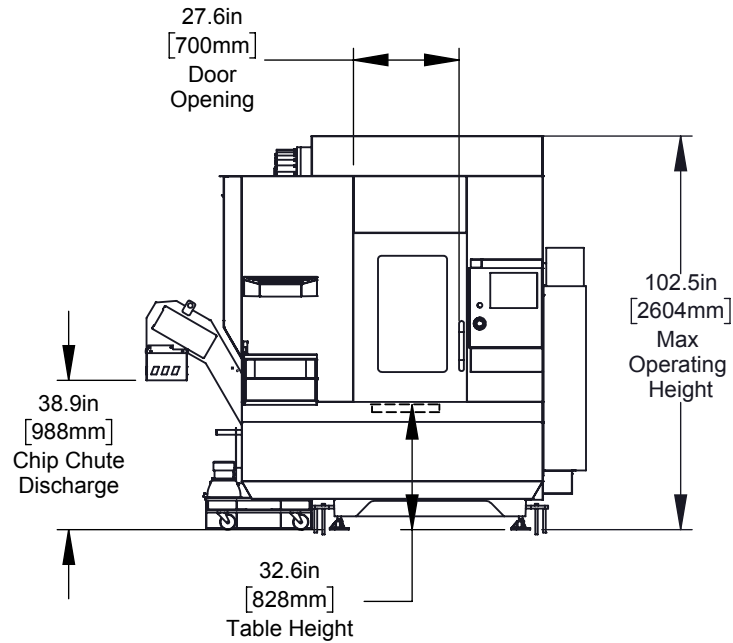


All dimensions based on stackup of sheetmetal, subject to variation of 1/2" (13 mm)

Anchor Pattern

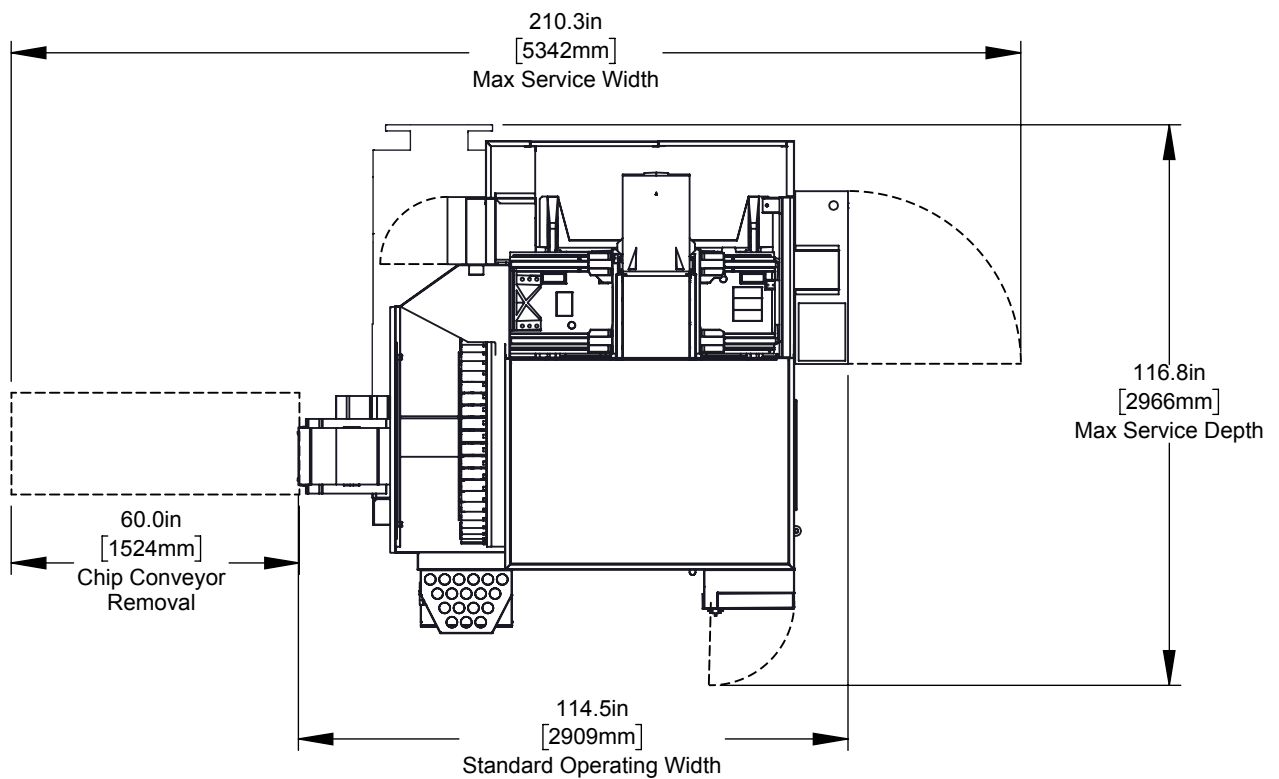


Height Breakdown



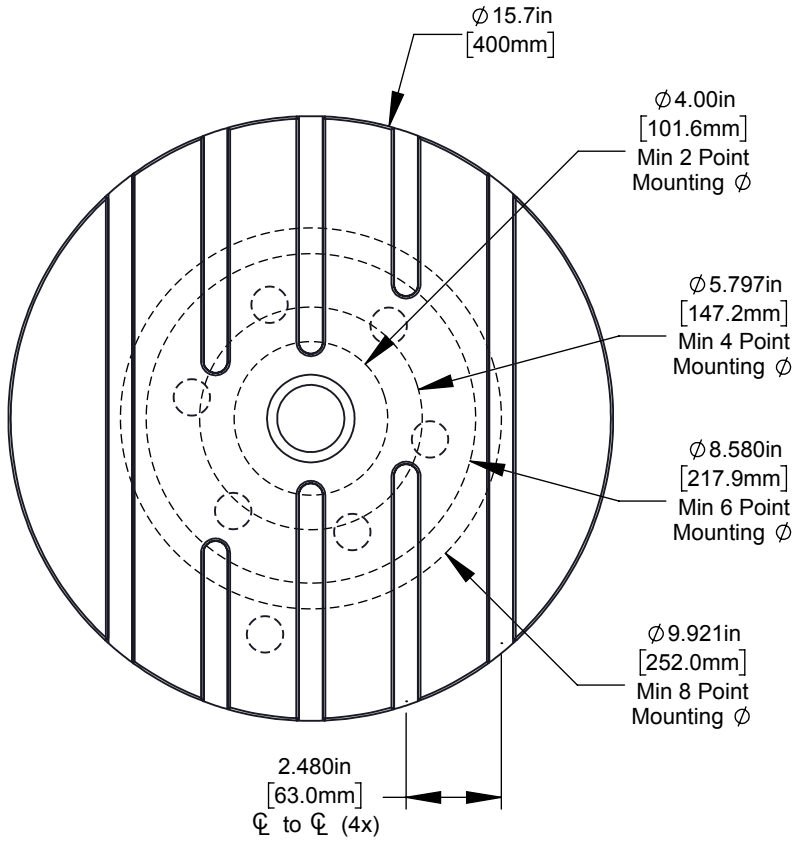
All dimensions based on stackup of sheetmetal, subject to variation of 1/2" (13 mm)

Width Breakdown

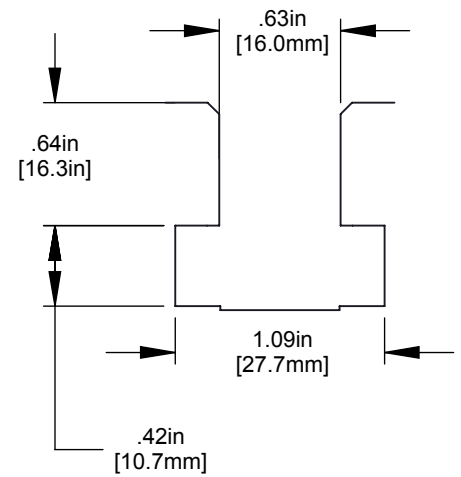


All dimensions based on stackup of sheetmetal, subject to variation of 1/2" (13 mm)

Table

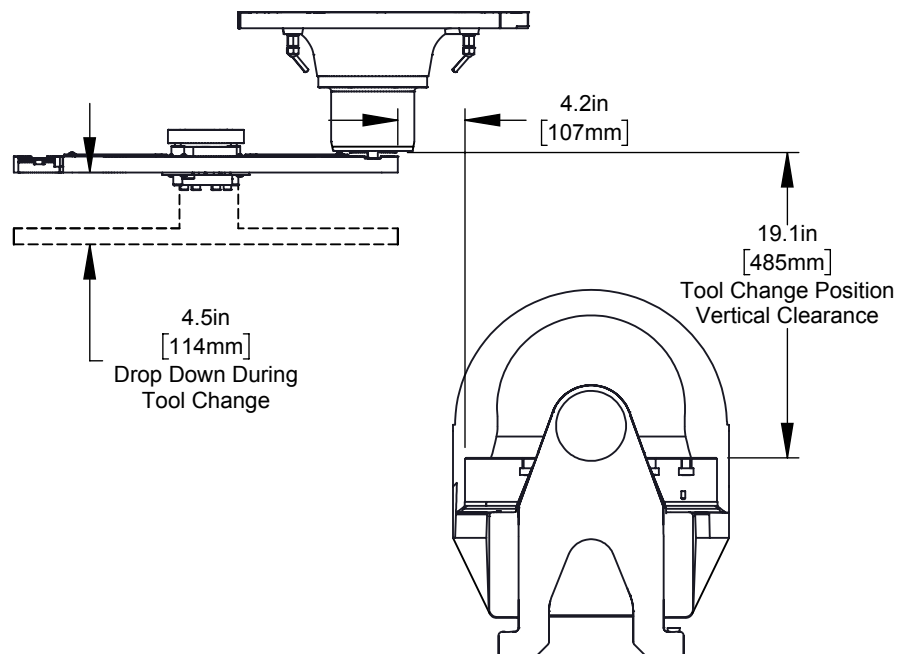


T-Slot Detail

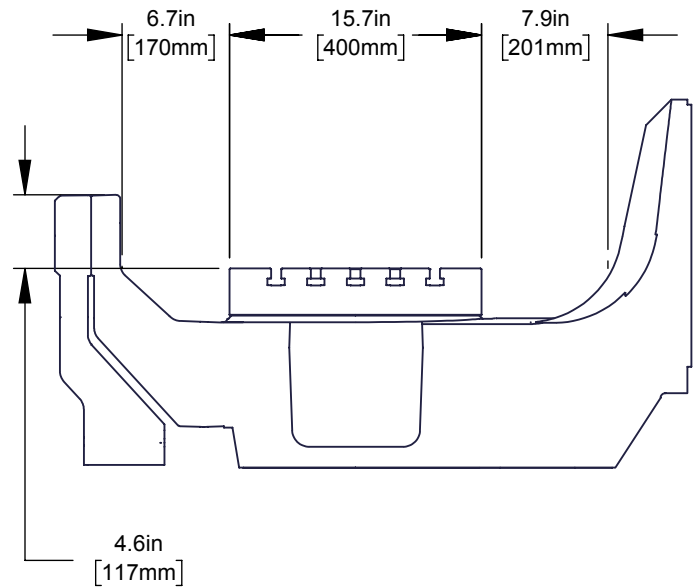
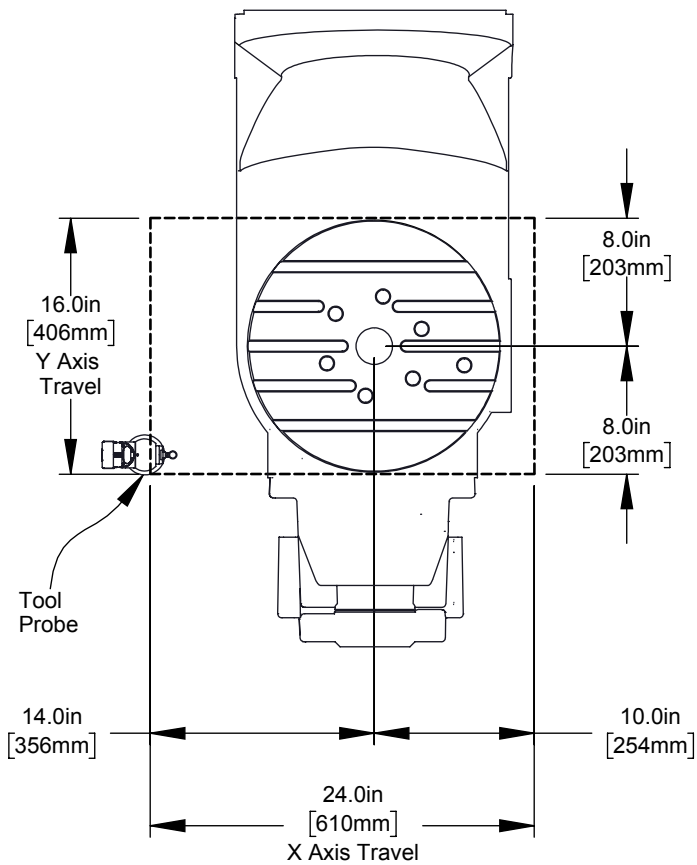


(7x) Phantom holes are not available to use for part fixturing

Tool Changer



X&Y-Axis Clearance



Z Axis Clearance at B0

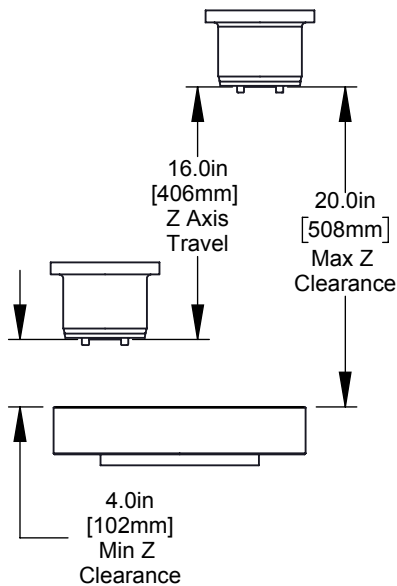
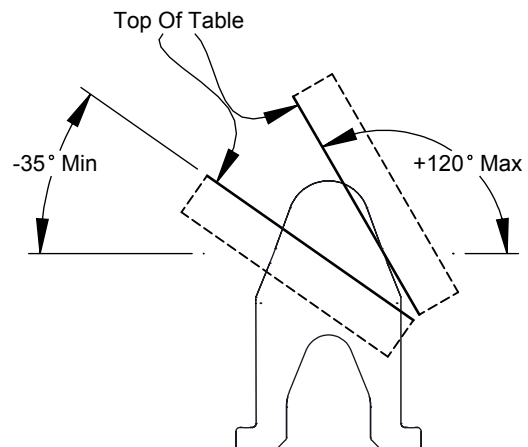


Table Rotation



Clearance at B90

