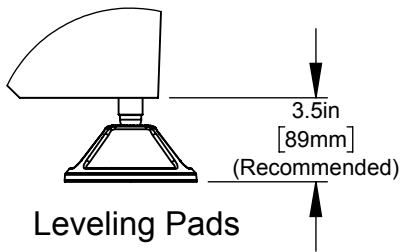
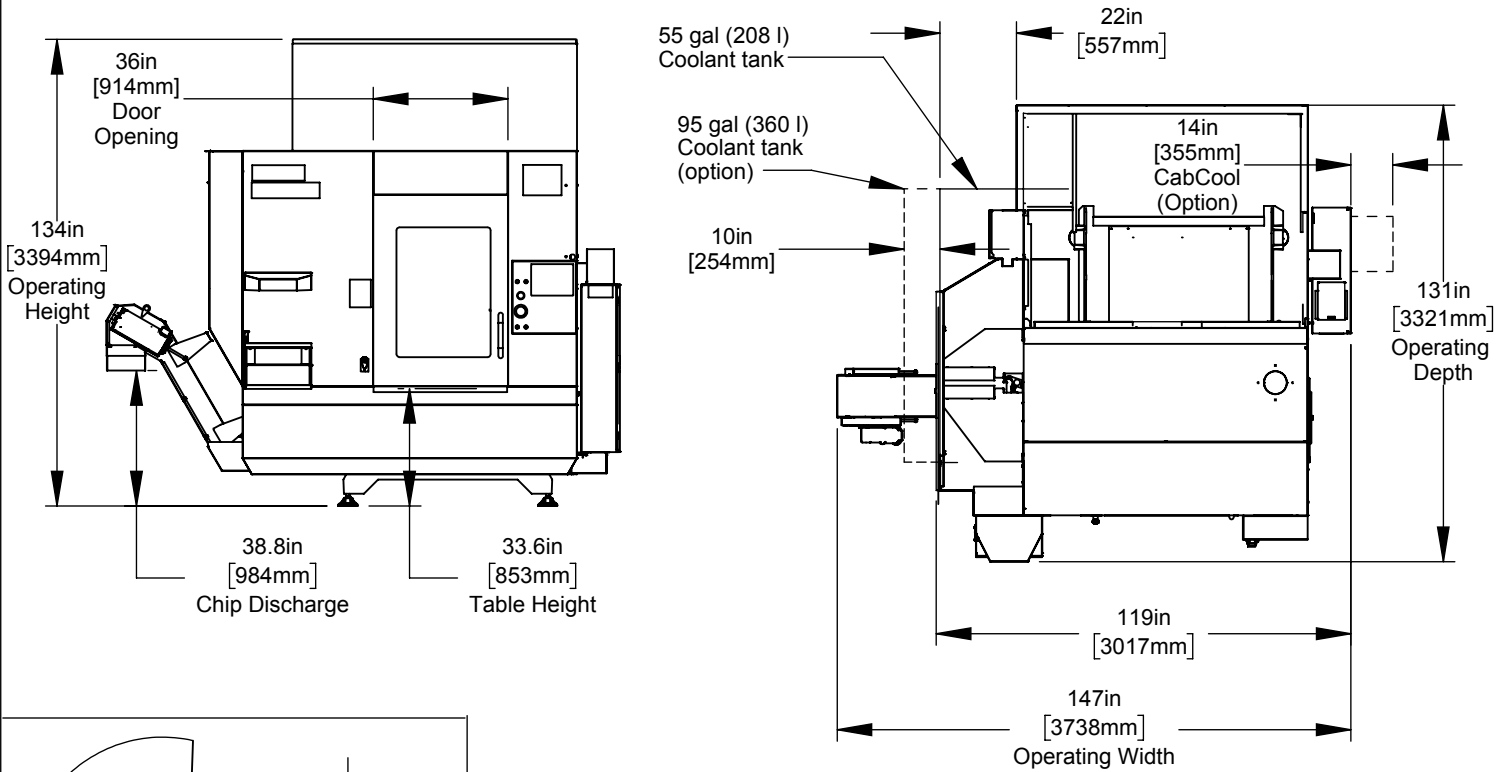
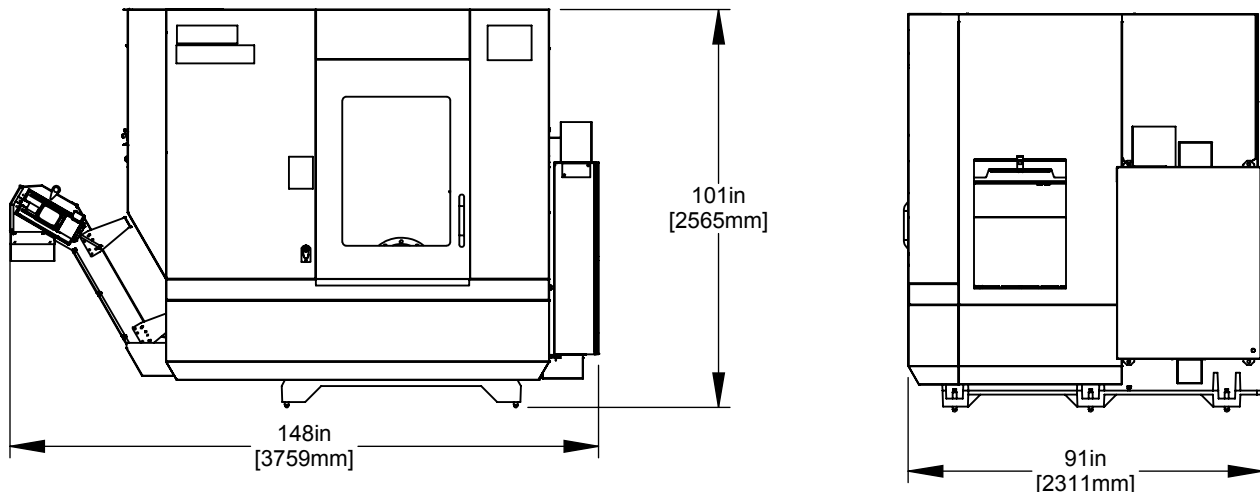


Operating Dimensions



As Shipped Dimensions



For lifting instructions refer to lifting sticker on machine, service document ES0246, or contact your local HFO

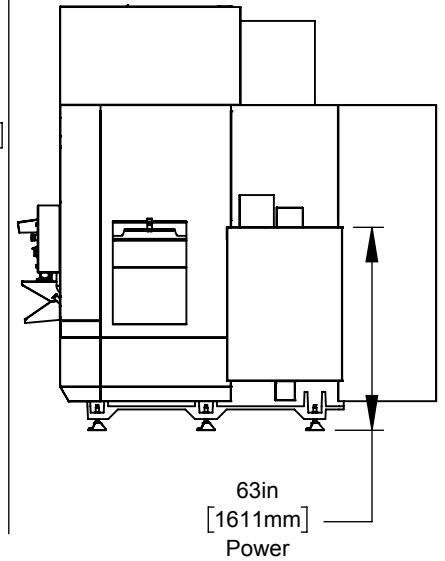
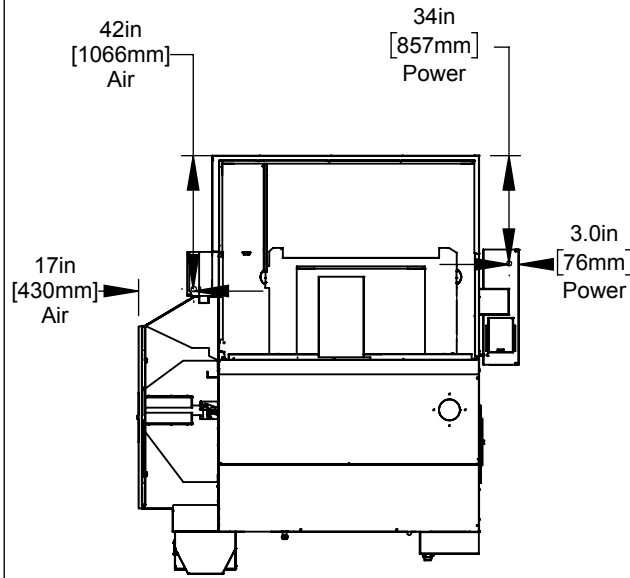
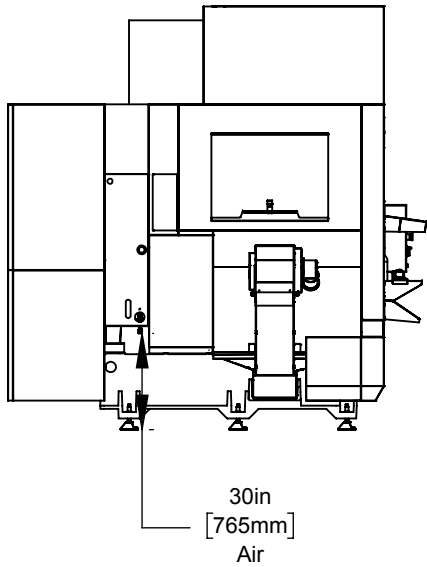
All dimensions based on stackup of sheetmetal, subject to variation of 1/2" (13 mm)

Air & Power

Left View
Air Connection

Top View

Right View
Power Connection



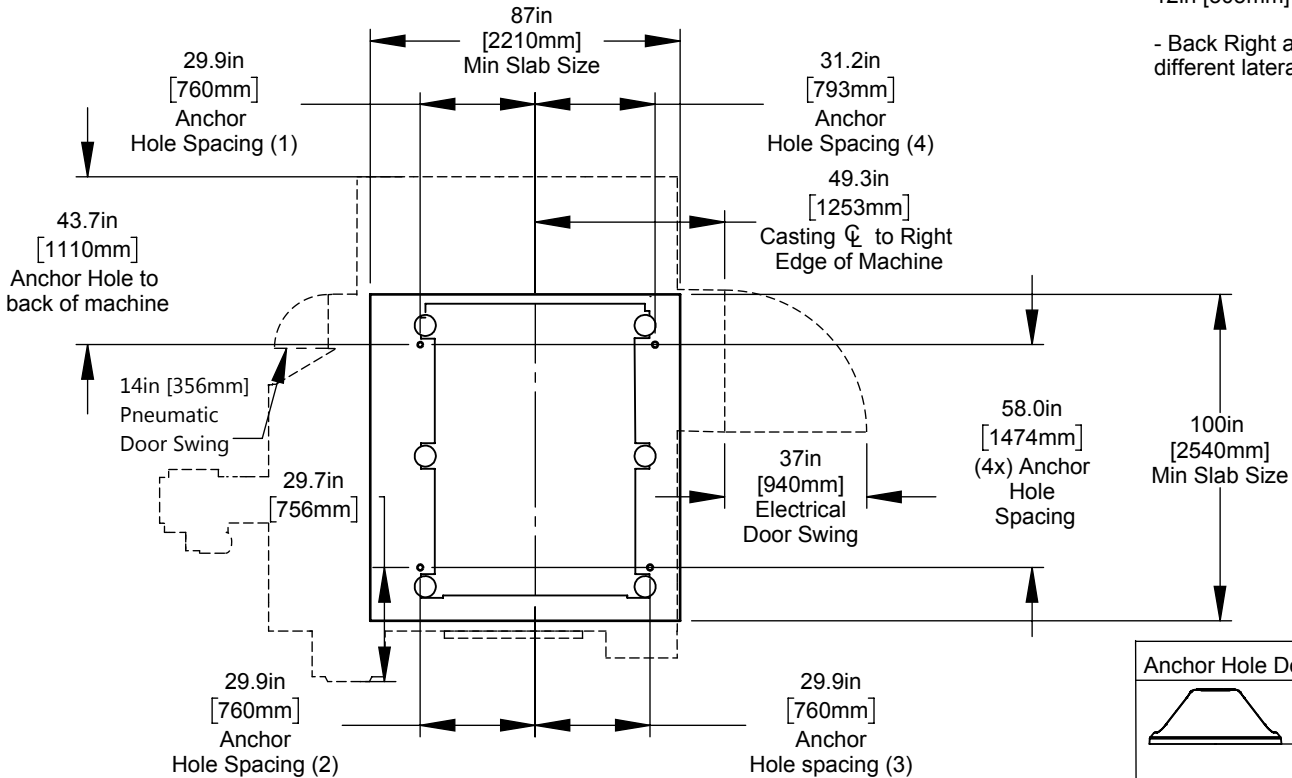
All dimensions based on stackup of sheetmetal, subject to variation of 1/2" (13 mm)

Anchor Pattern

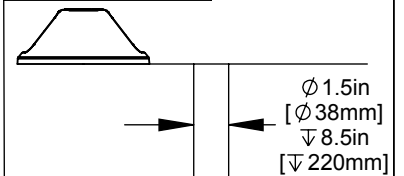
Notes:

- Foundation must extend at least 12in [305mm] from bored holes

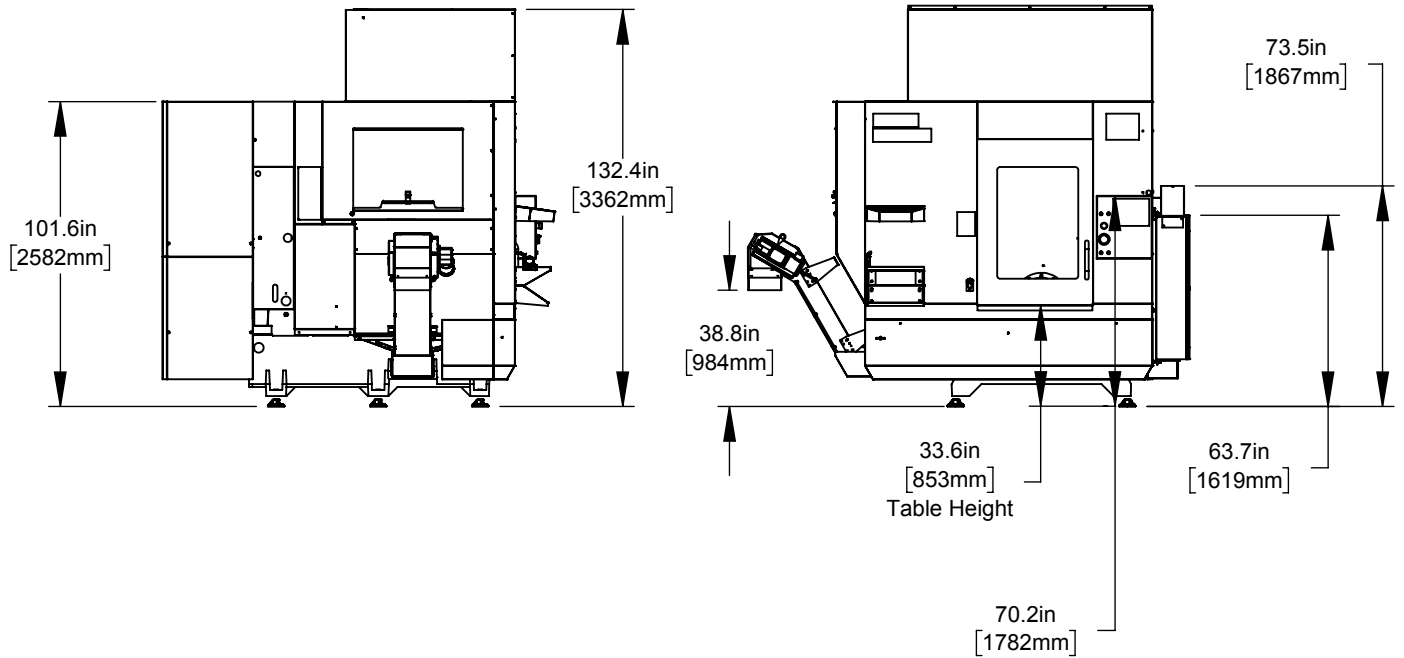
- Back Right anchor hole has different lateral spacing than others



Anchor Hole Detail

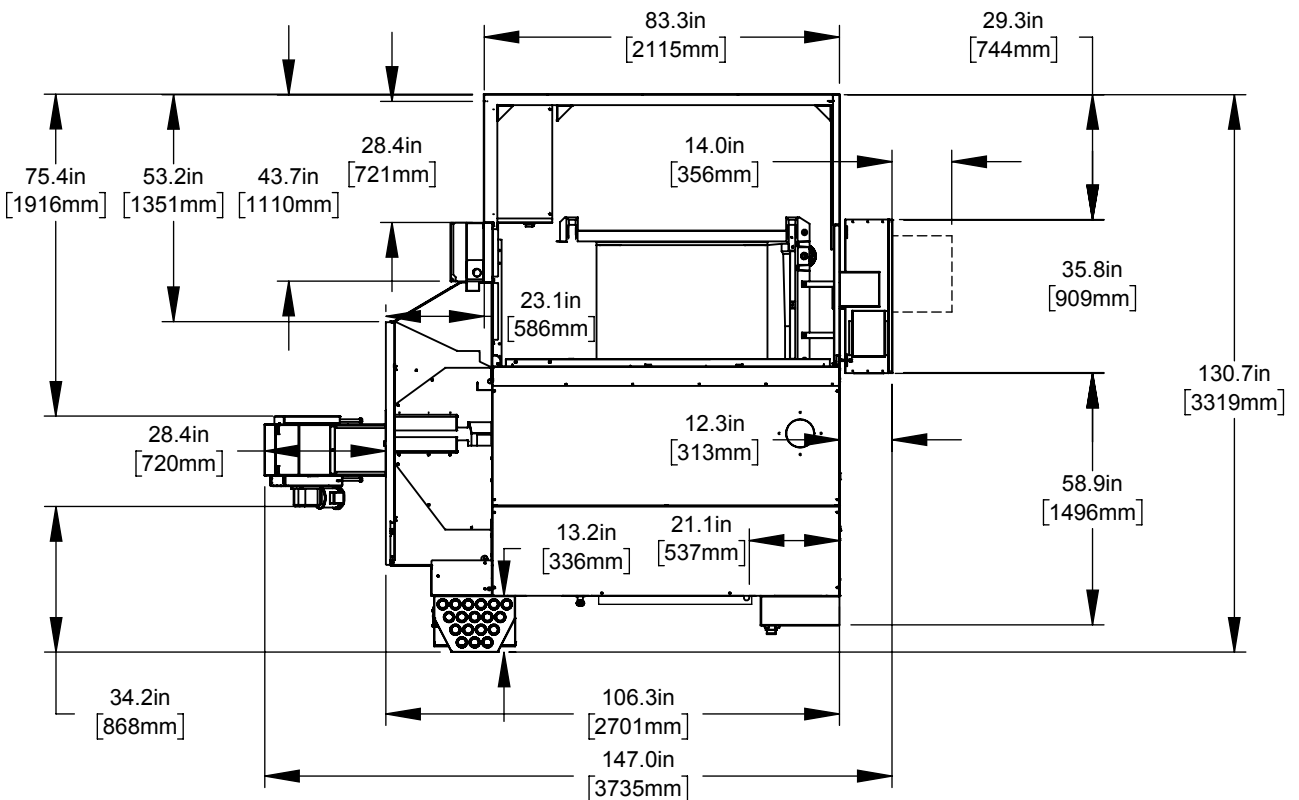


Height Breakdown



All dimensions based on stackup of sheetmetal, subject to variation of 1/2" (13 mm)

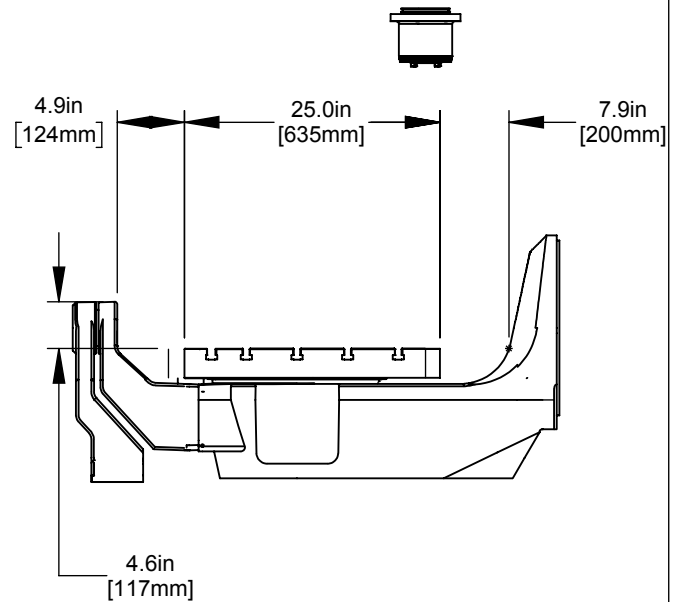
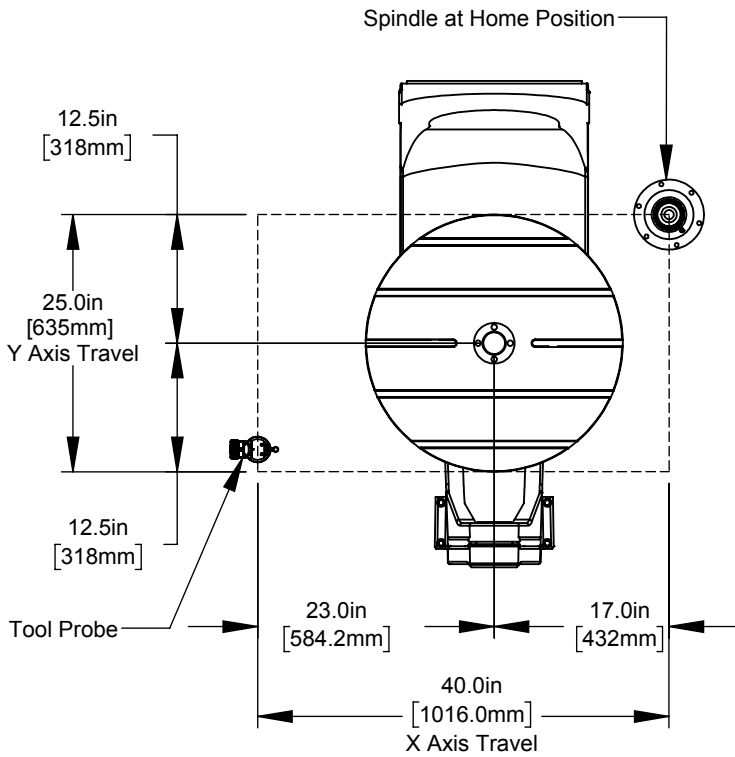
Width Breakdown



All dimensions based on stackup of sheetmetal, subject to variation of 1/2" (13 mm)

Max Travels		
X	40 in	1016mm
Y	25 in	635mm
Z	25 in	635mm
A	-35° to +110°	
C	360°	

X&Y-Axis Clearance



Z-Axis Clearance

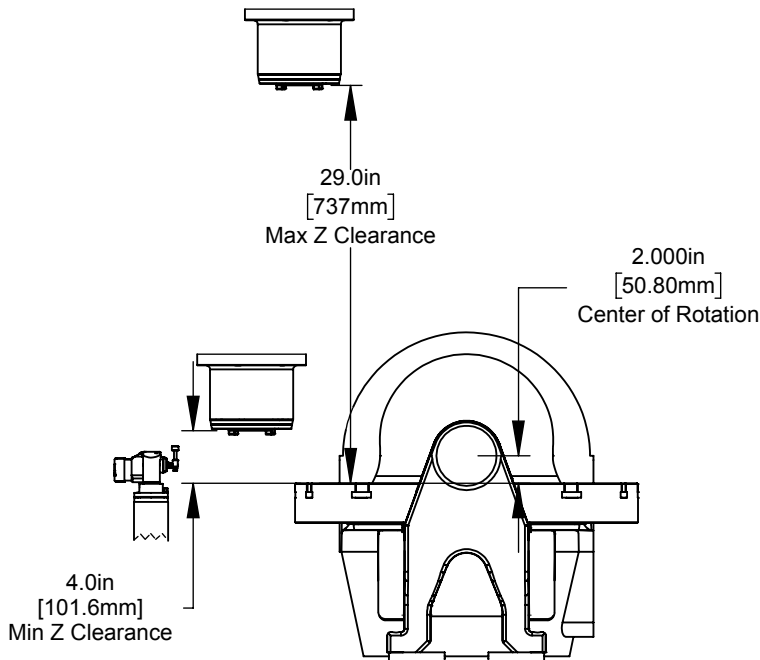
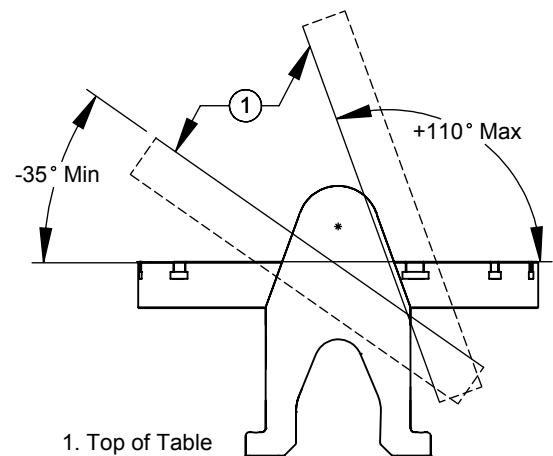
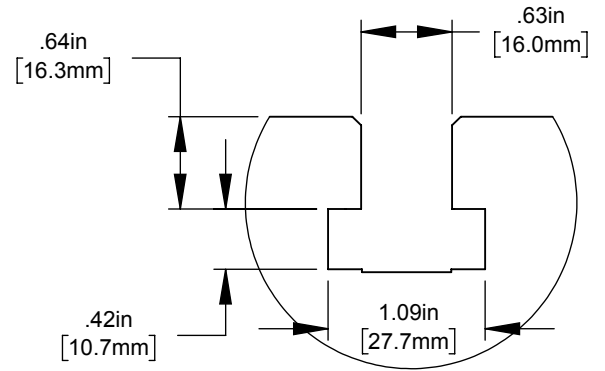
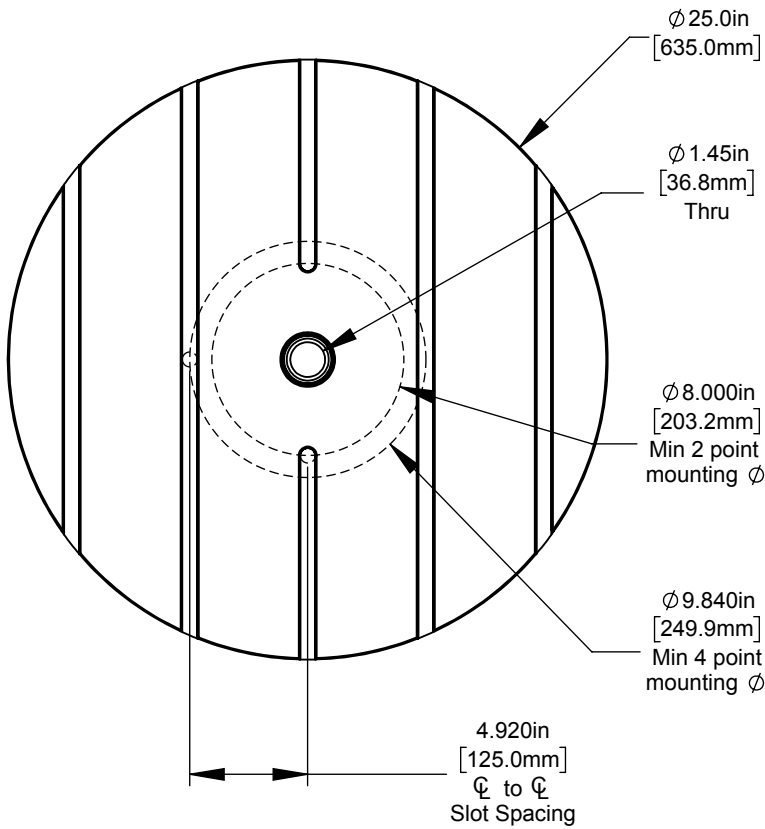


Table Rotation



Table



T Slot Detail

Tool Changer

