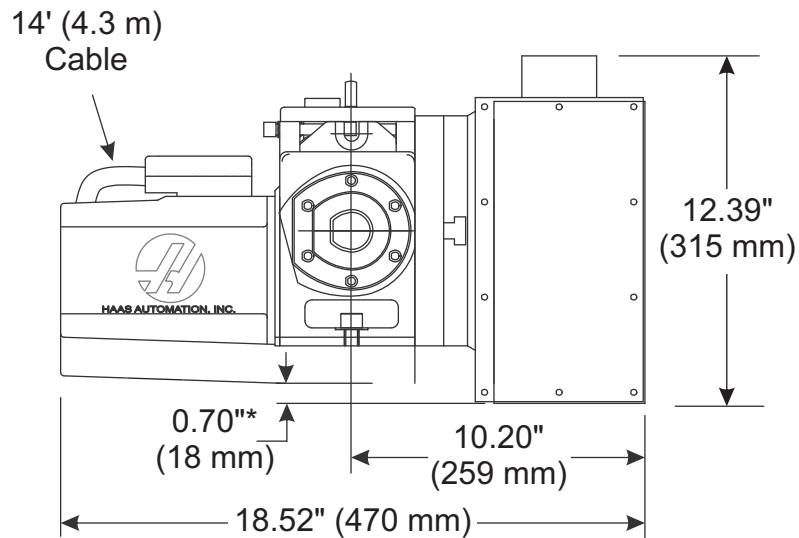
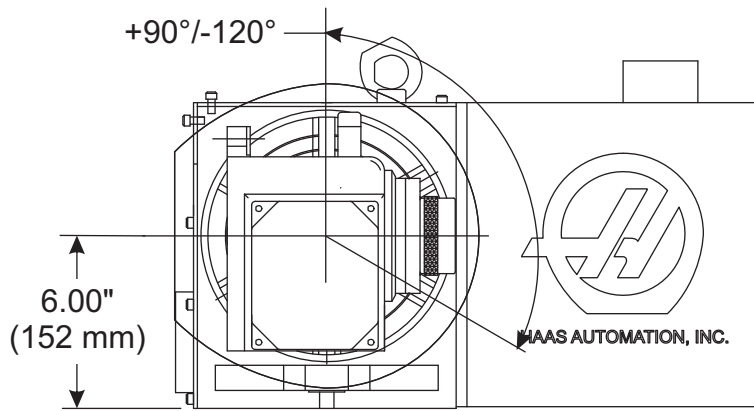
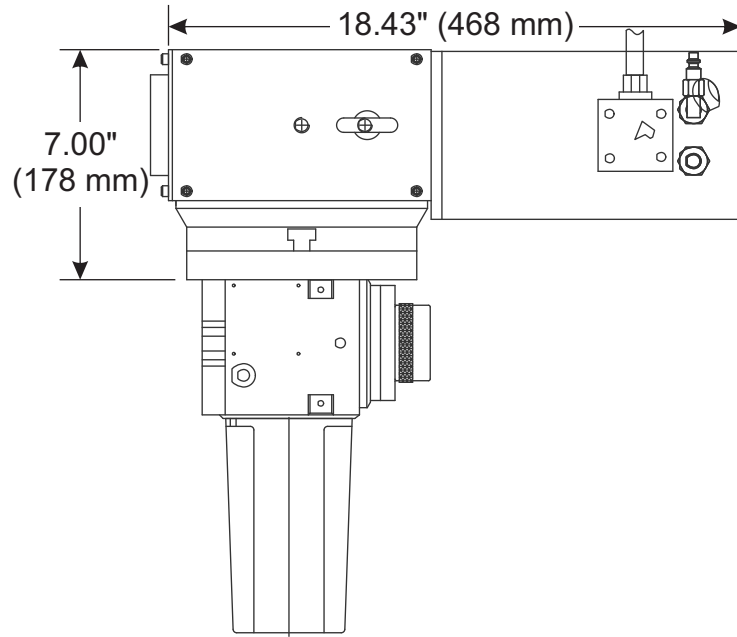


# T5C Machine Layout Drawing



\* Minimum Clearance