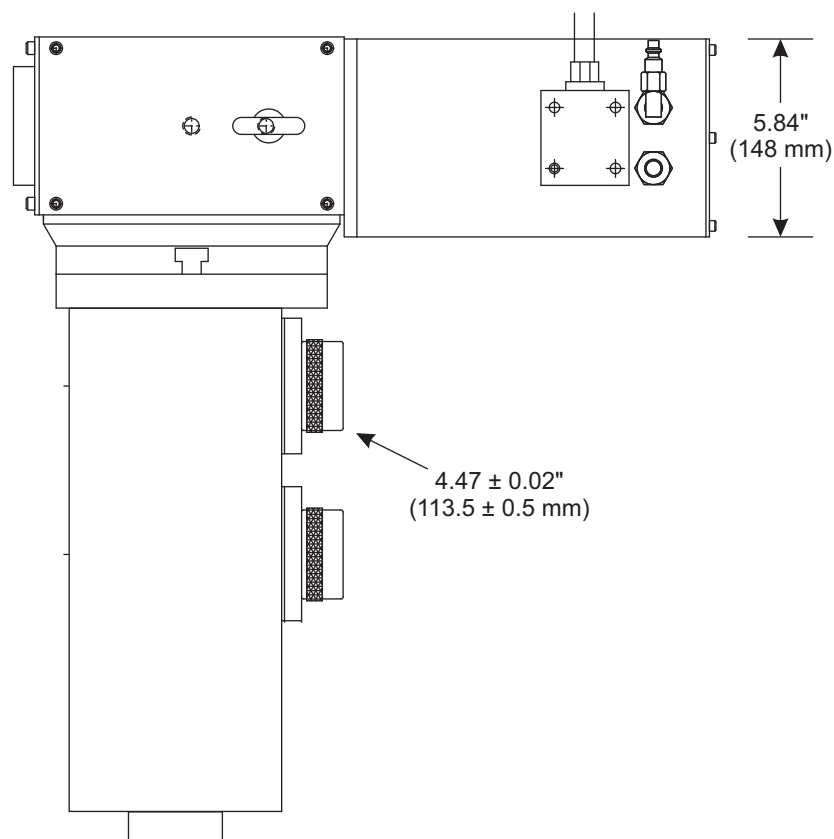
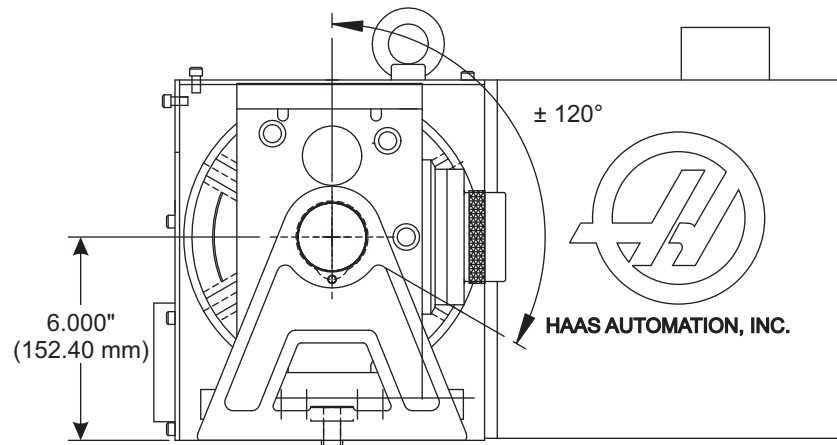
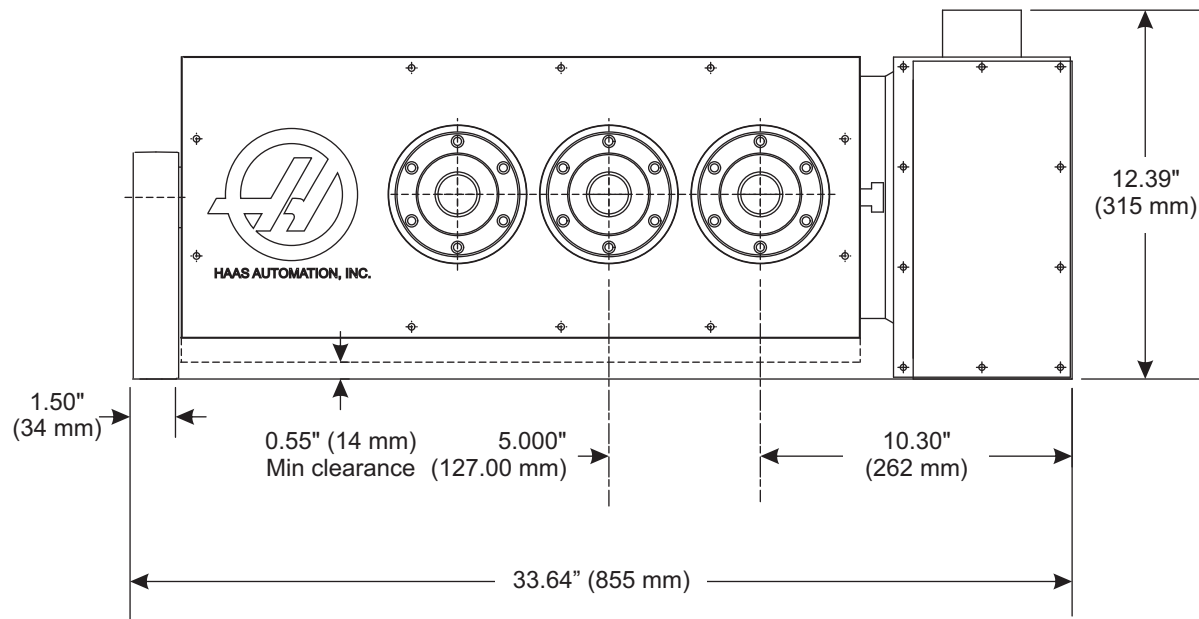


T5C3 Machine Layout Drawing



Go to www.haascnc.com
for further rotary specifications.