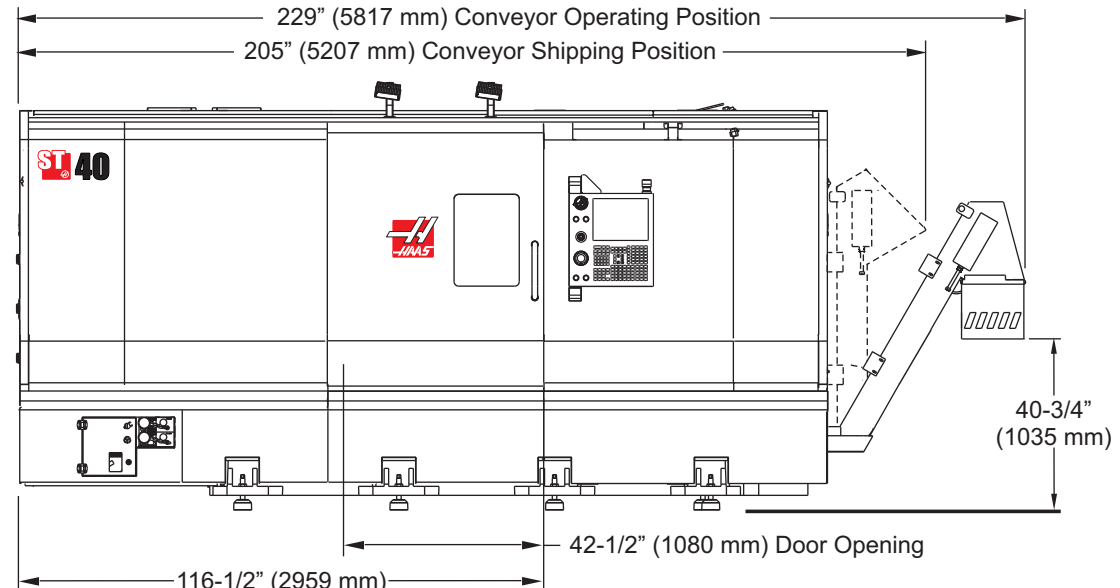
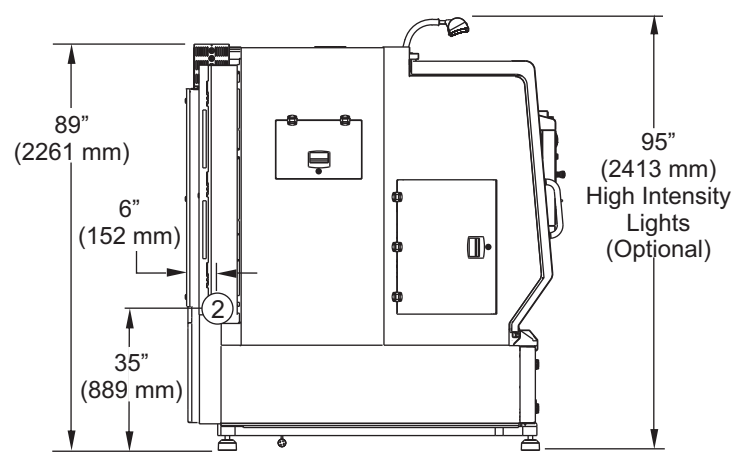
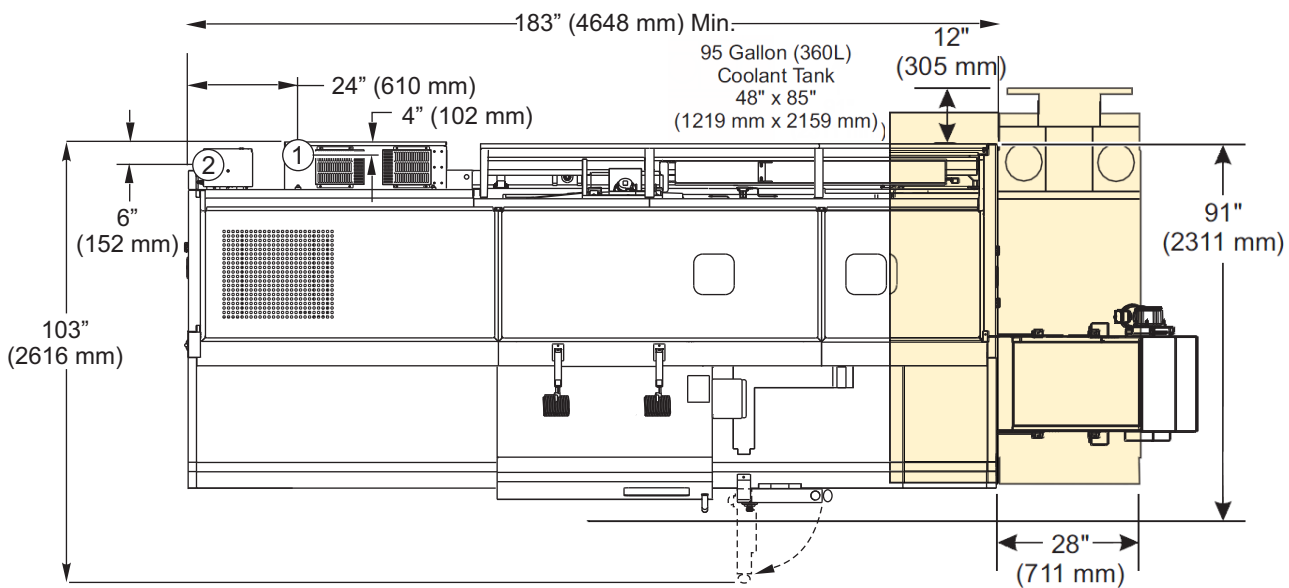
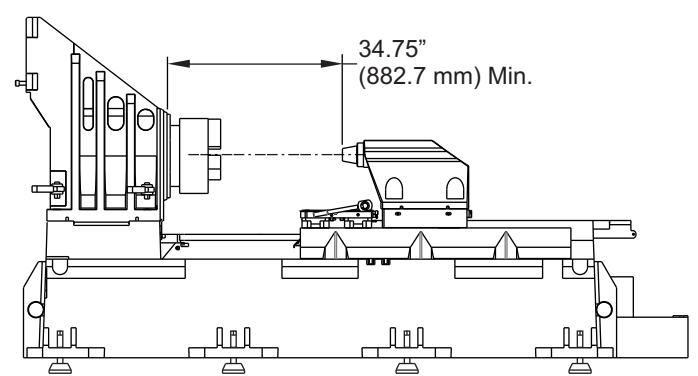
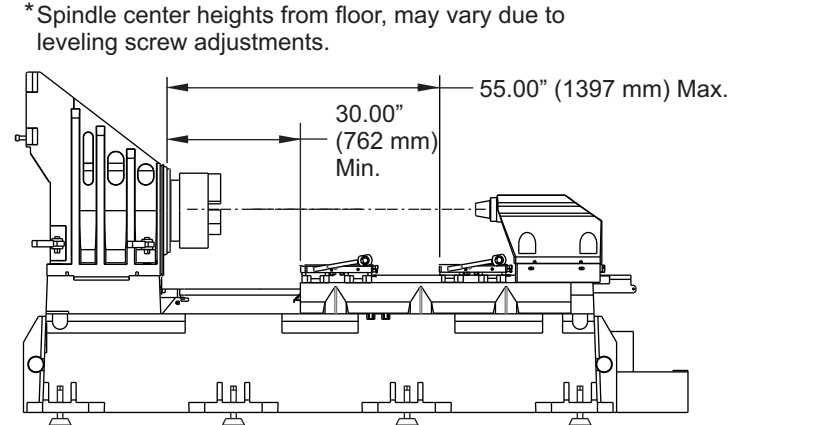
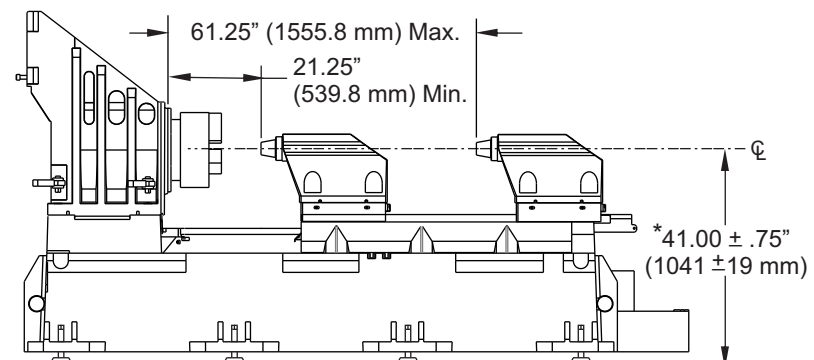
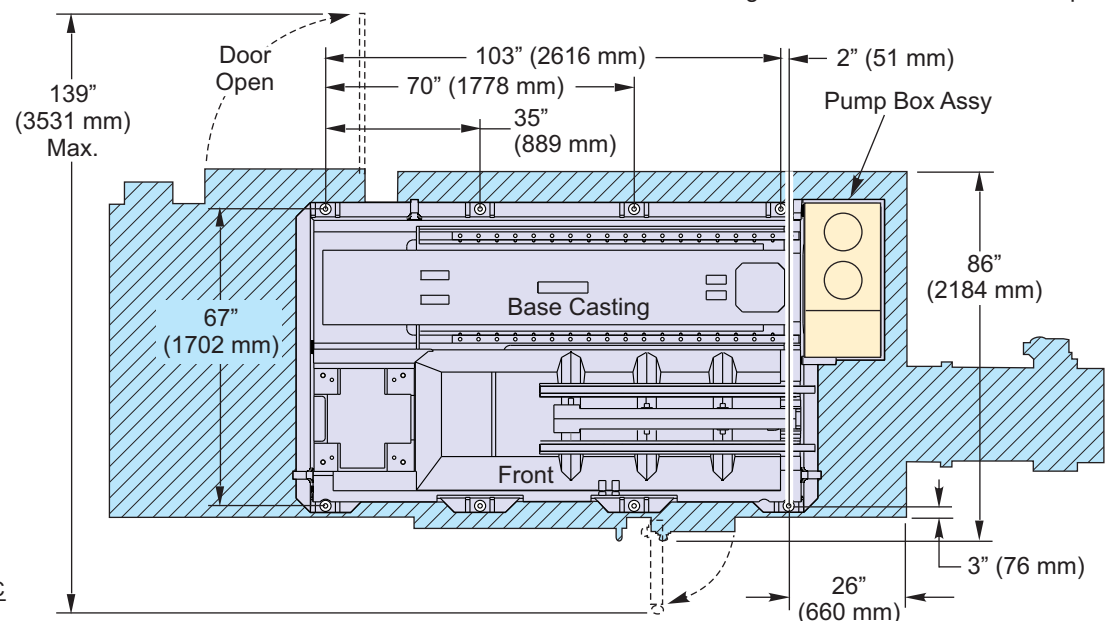
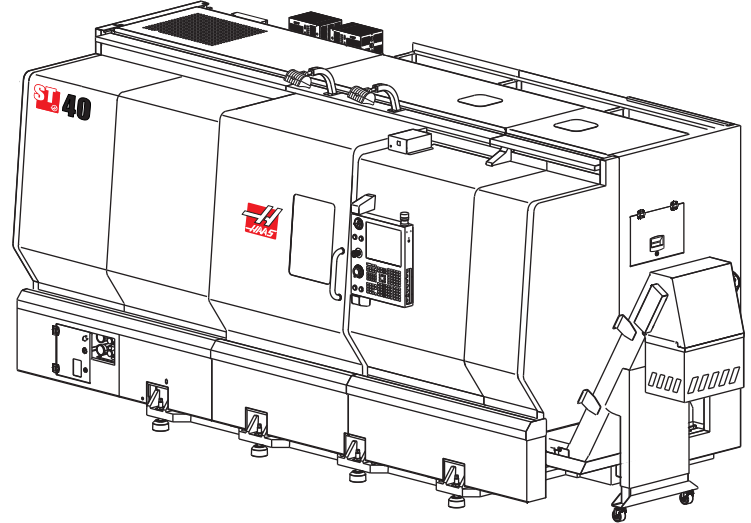


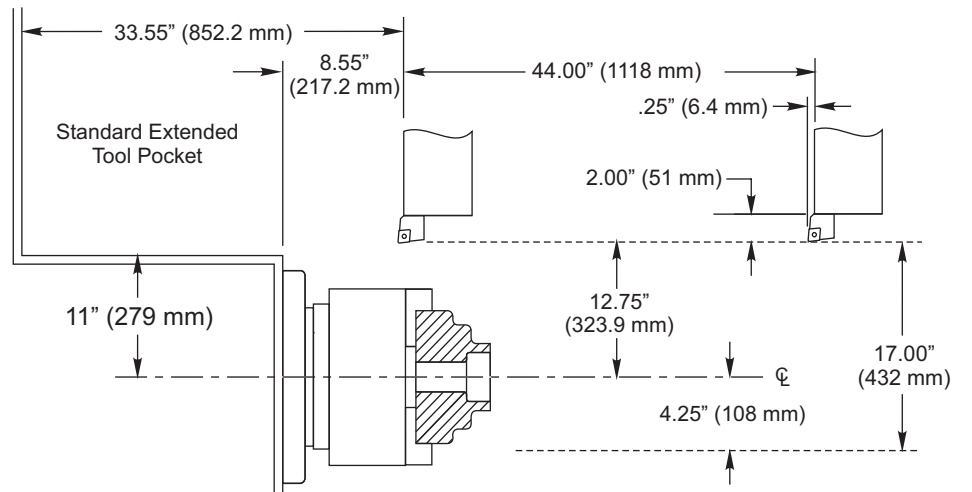
- ① Electrical Connection
- ② Air Connection



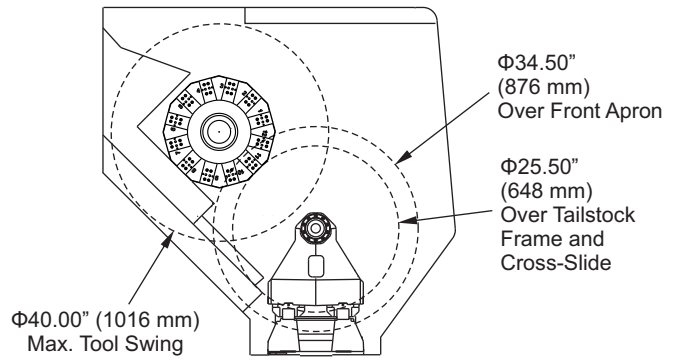
Minimum distance required to remove conveyor from lathe 156" (3962 mm).  
 Minimum distance required to remove conveyor from lathe 110" (2794 mm) when conveyor is folded at 90 degrees and folded down as it is pulled out.



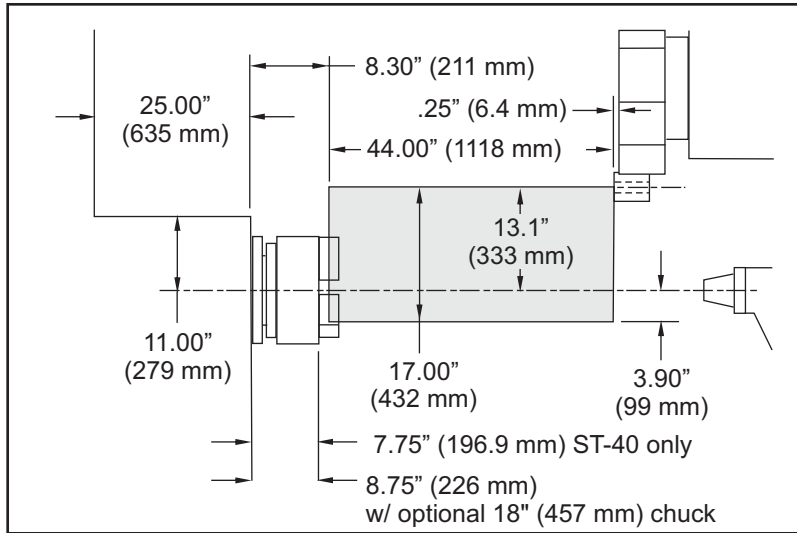
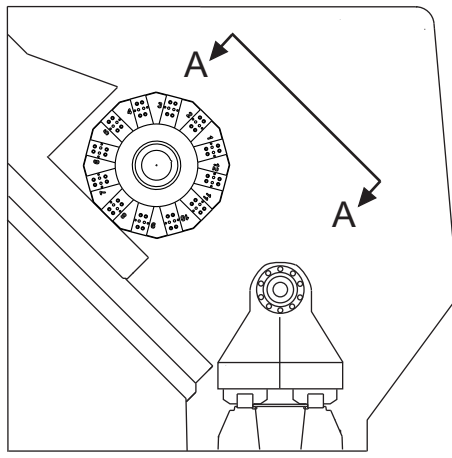
ST-40/45 Tailstock and Steady Rest Travel #5 Morse Taper



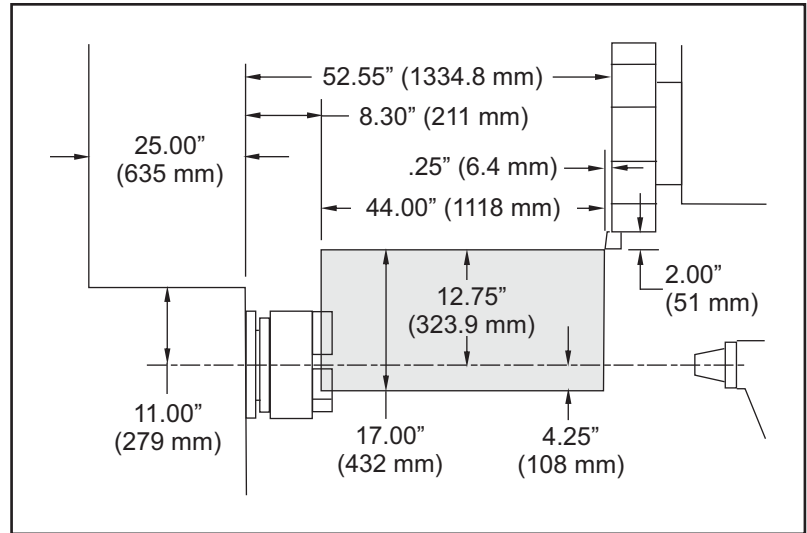
Axis Travels - ST-40/45 with Standard BOT



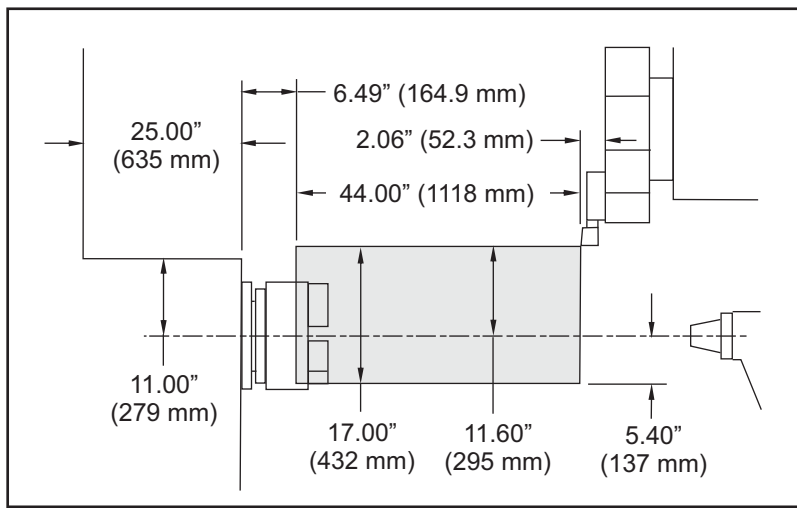
ST-40/45 Tool Swing Envelope Turret at Home Position 12-Station BOT Turret Standard



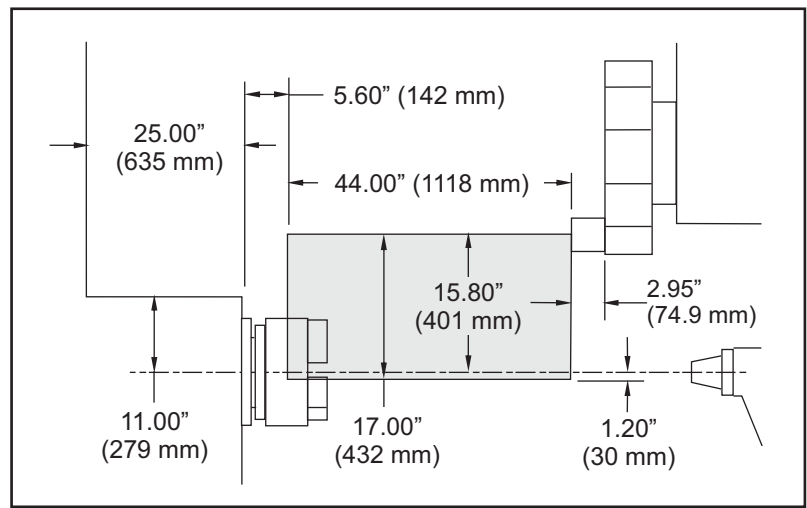
BOT/VB12 ID



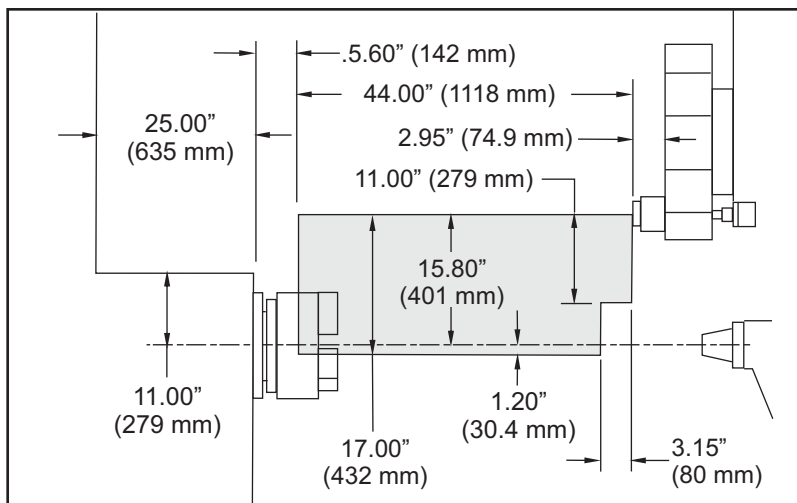
BOT/VB12 OD



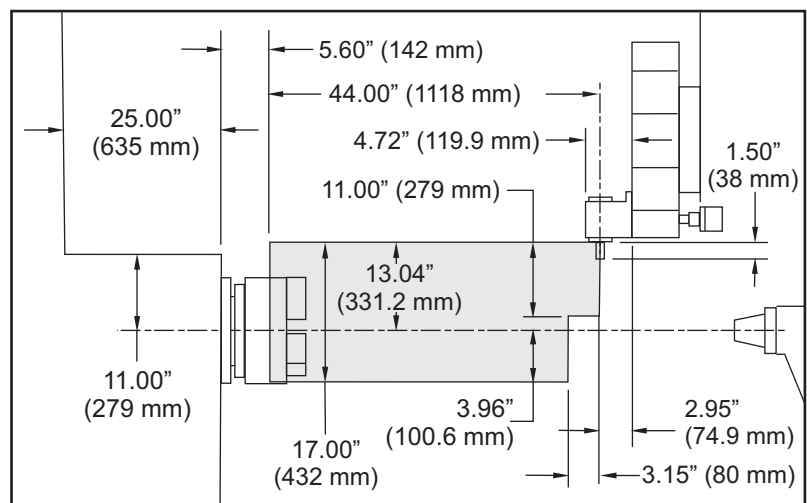
VB12 VDI OD



VB12 VDI ID

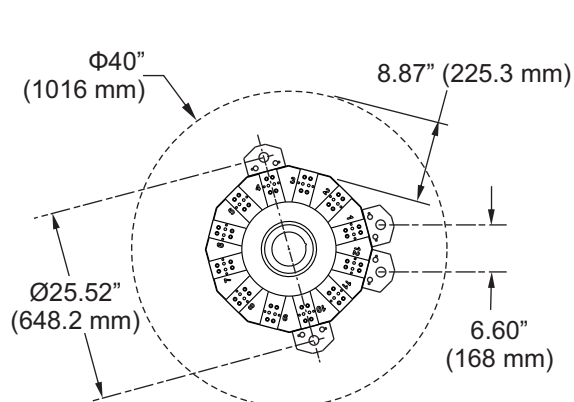


LIVE AXIAL TOOL

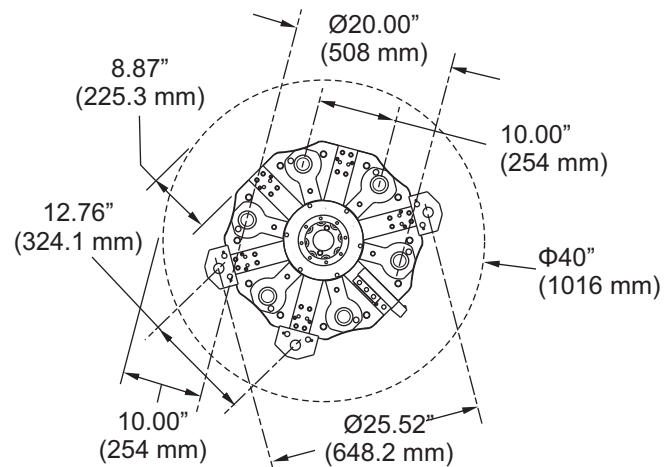


LIVE RADIAL TOOL

View A-A ST-40/45 Cut Envelope Diagrams  
**NOTE:** No workholding standard on ST-45



12-Station BOT Turret Standard



12-Station Hybrid VB12 Turret Option

ST-40/45 Tool Interference Drawings