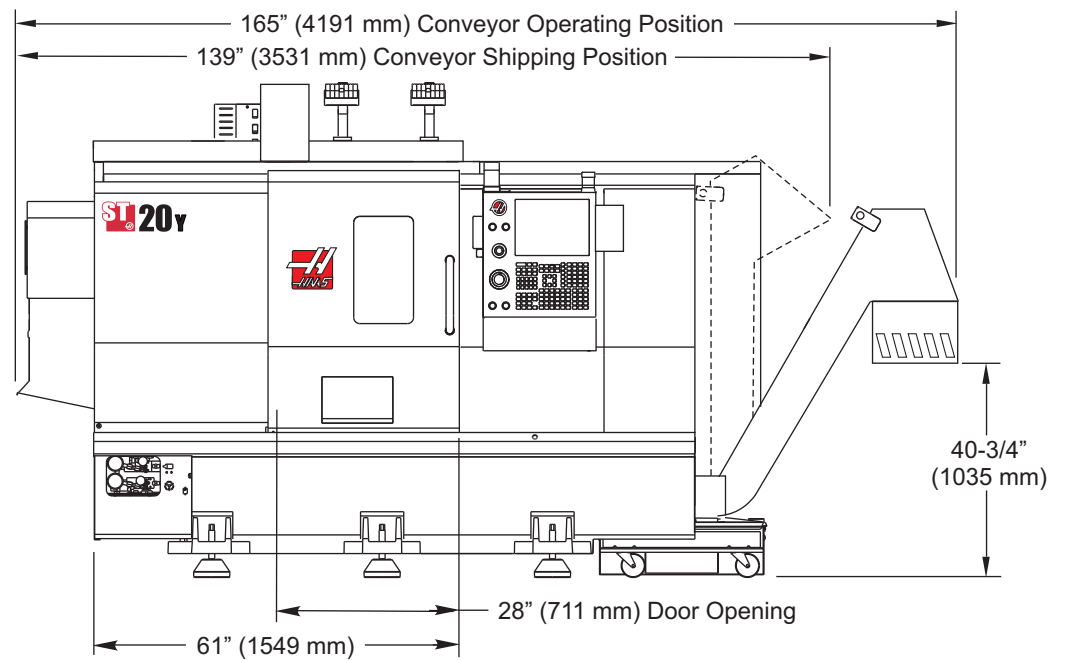
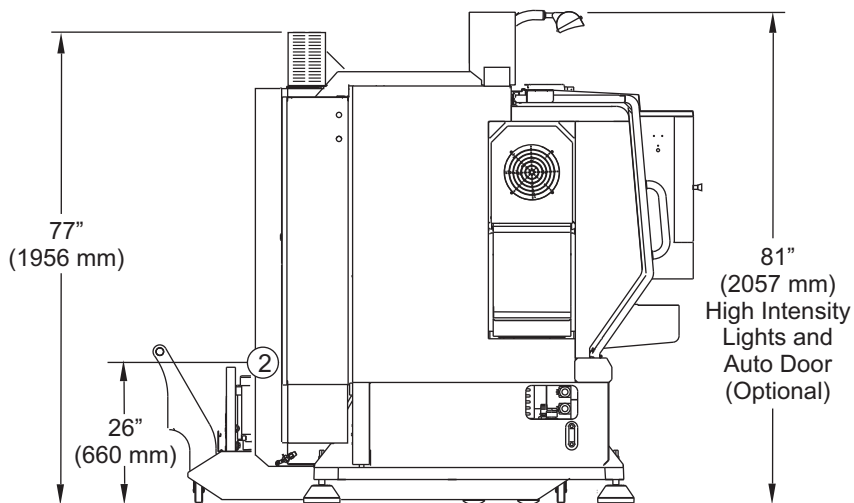
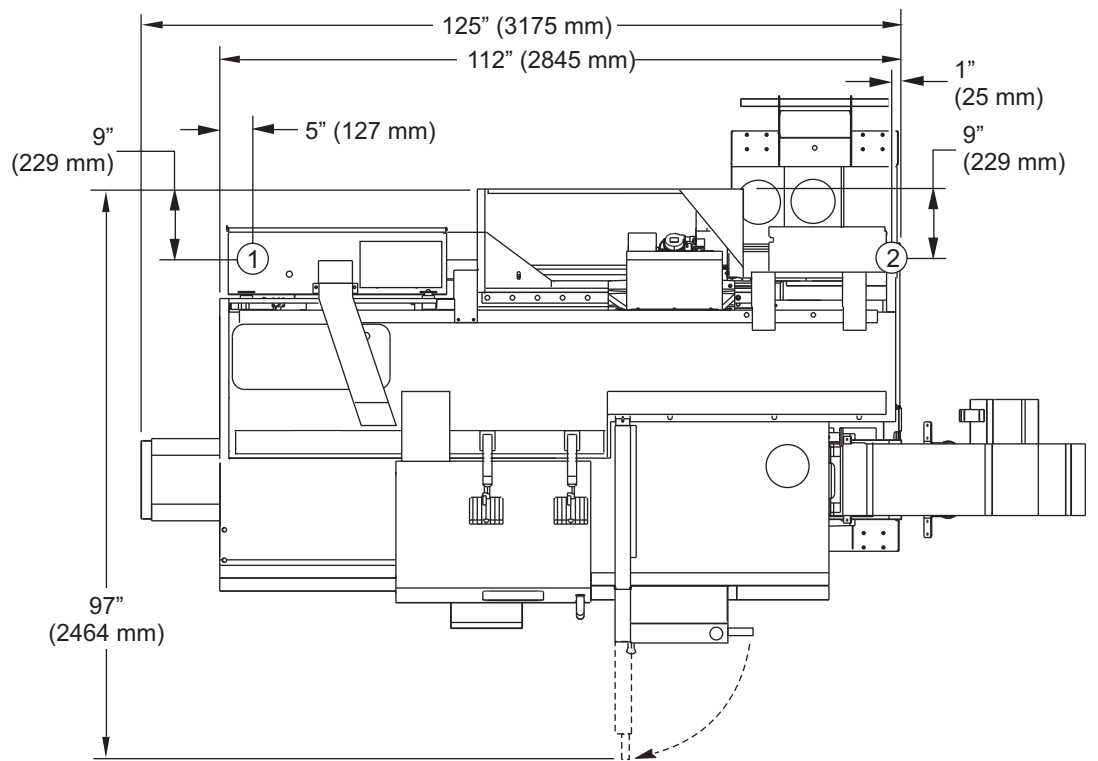


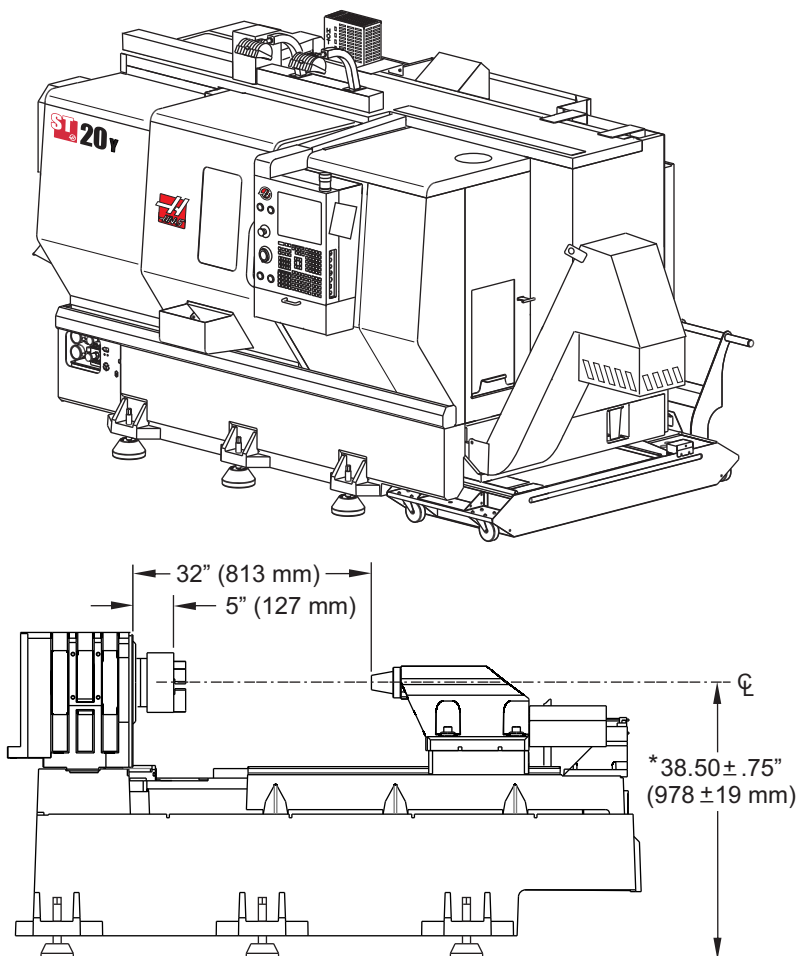
6X Leveling Pad Pin Dimension

- ① Electrical Connection
- ② Air Connection

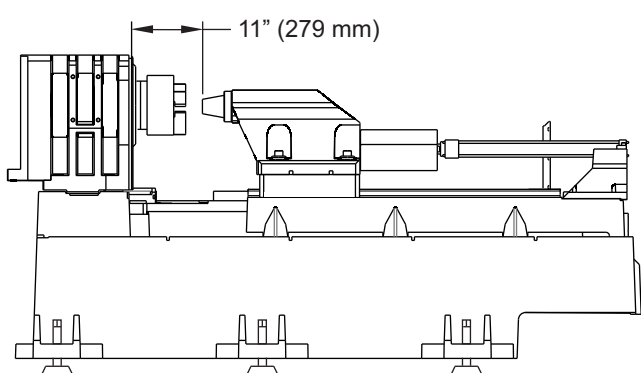


Minimum distance required to remove conveyor from lathe 124" (3150 mm).

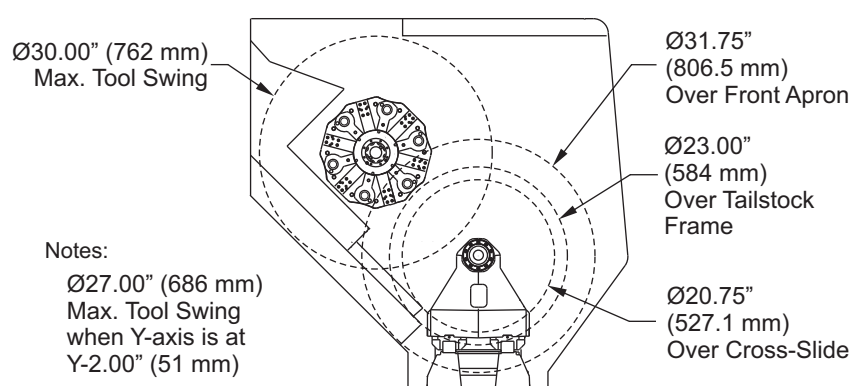
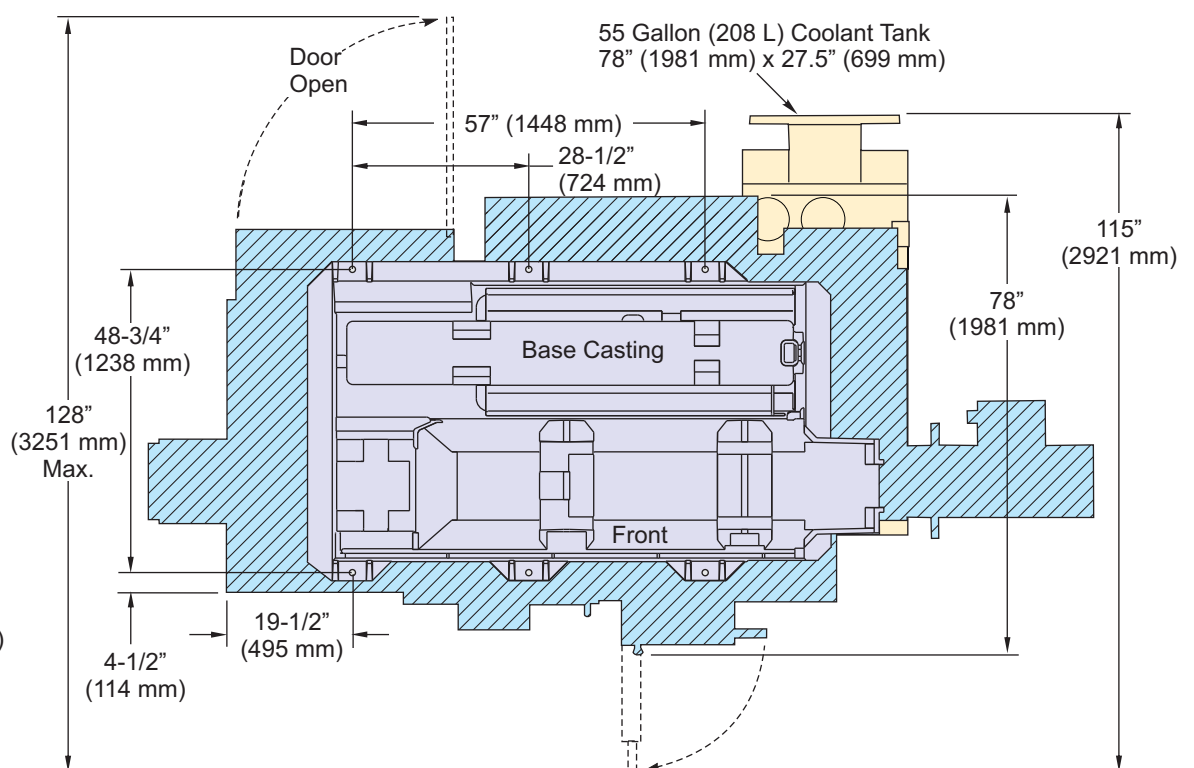
Minimum distance required to remove conveyor from lathe 75" (1905 mm) when conveyor is folded at 90 degrees and folded down as it is pulled out.



* Spindle center heights from floor, may vary due to leveling screw adjustments.

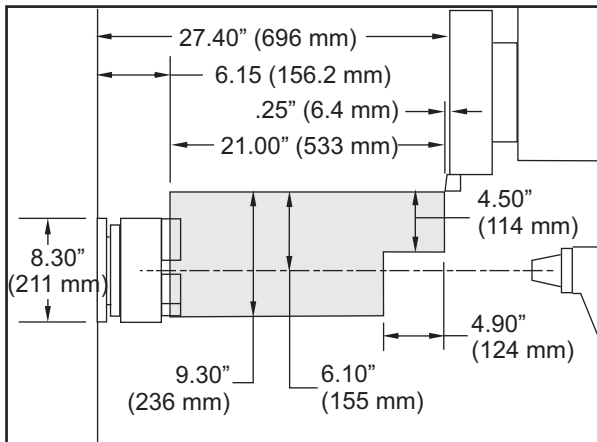
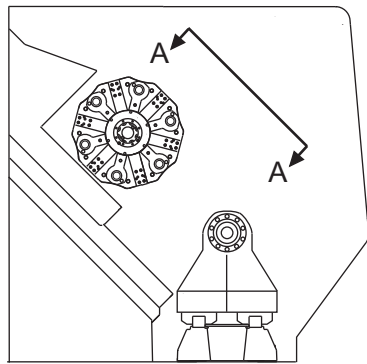


ST-20Y/25Y Tailstock Travel
#4 Morse Taper

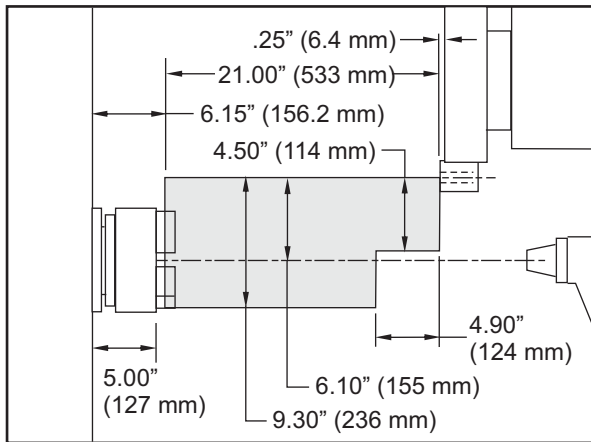


Notes:
Ø27.00" (686 mm)
Max. Tool Swing
when Y-axis is at
Y-2.00" (51 mm)

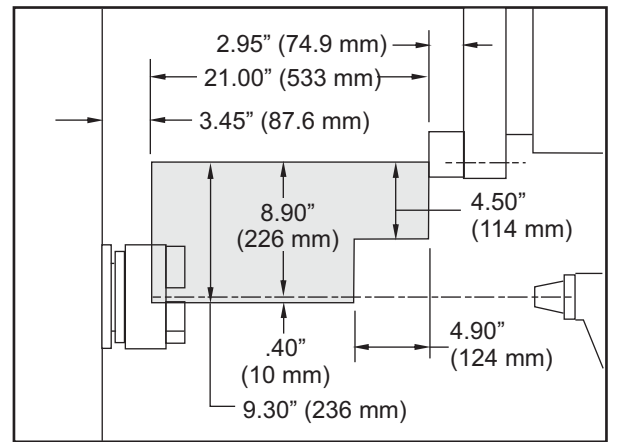
ST-20Y/25Y Tool Swing Envelope
Turret at Home Position
12-Station Hybrid VB12 Turret Standard



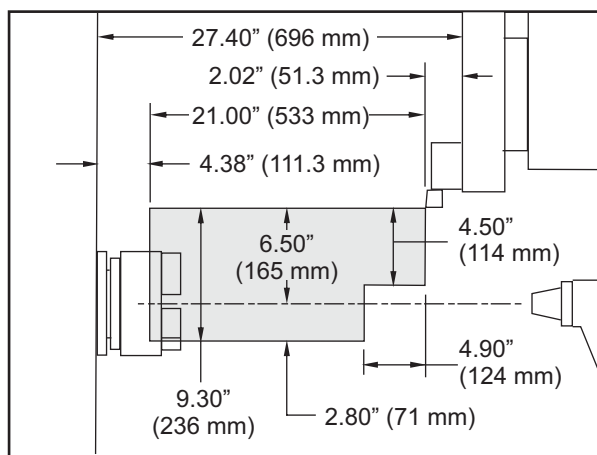
VB12 OD



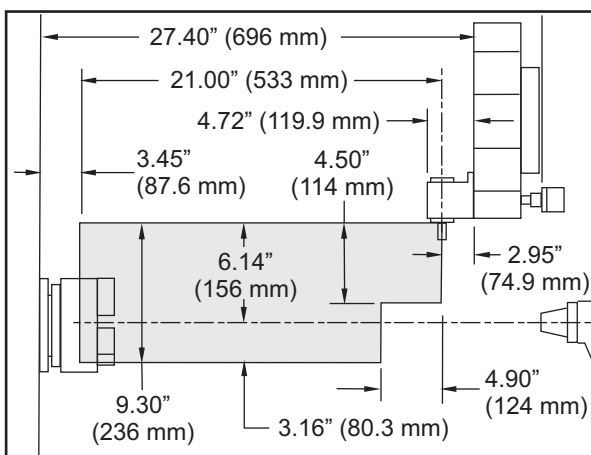
VB12 BOT ID



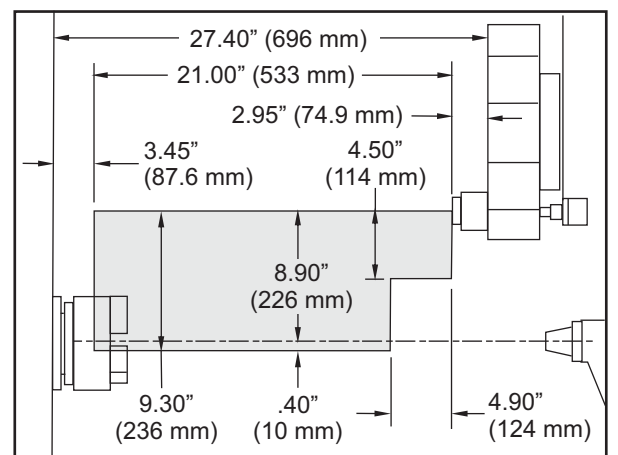
VDI ID, VB12 VDI ID



VDI OD, VB12 VDI OD

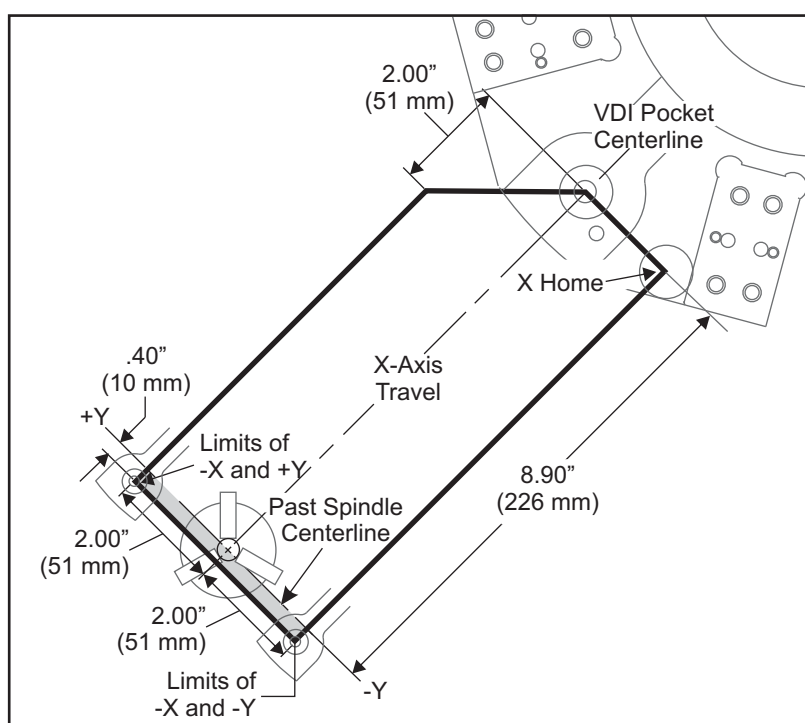


LIVE RADIAL TOOL

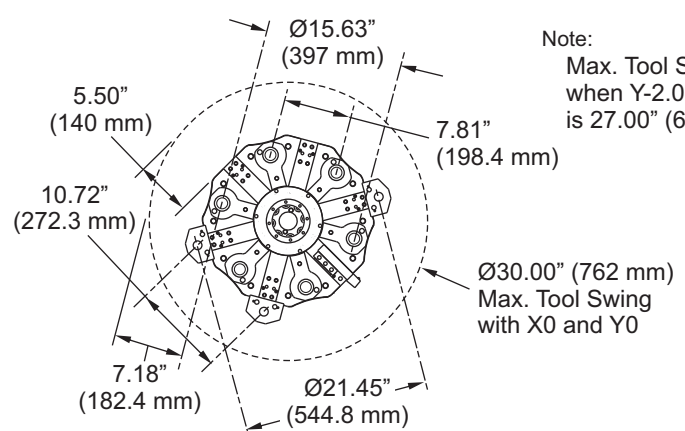
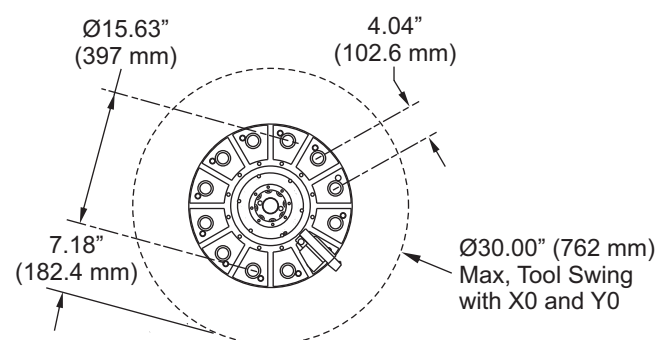


LIVE AXIAL TOOL

View A-A ST-20Y/25Y Cut Envelope Diagrams



Y-Axis Travel Envelope



The position of the work envelope will shift when using Live Radial tools. The length the cutting tool extends from the centerline of the tool pocket is the distance the envelope shifts. The above illustration demonstrates the work envelope in relation to the center of the VDI tool pocket.

ST-20Y/25Y Tool Interference Drawing