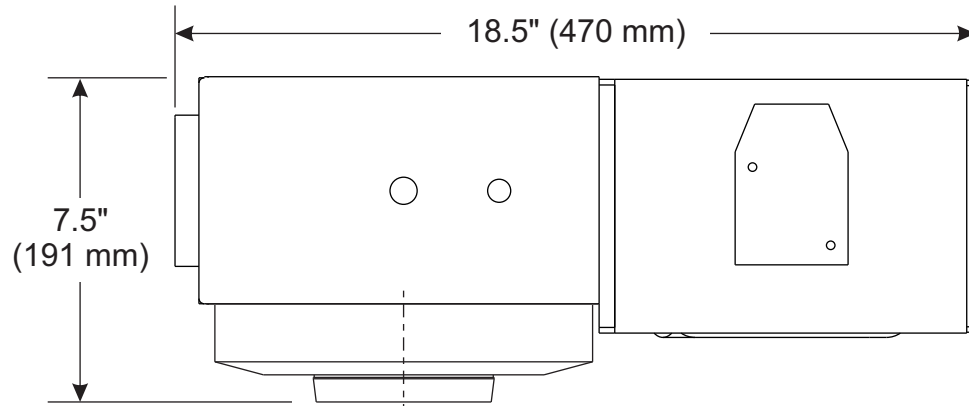
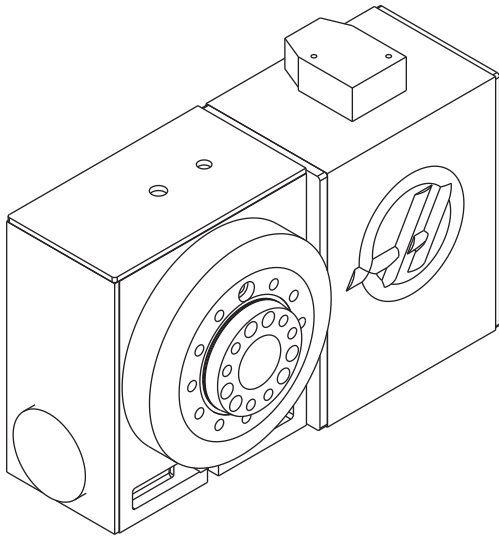
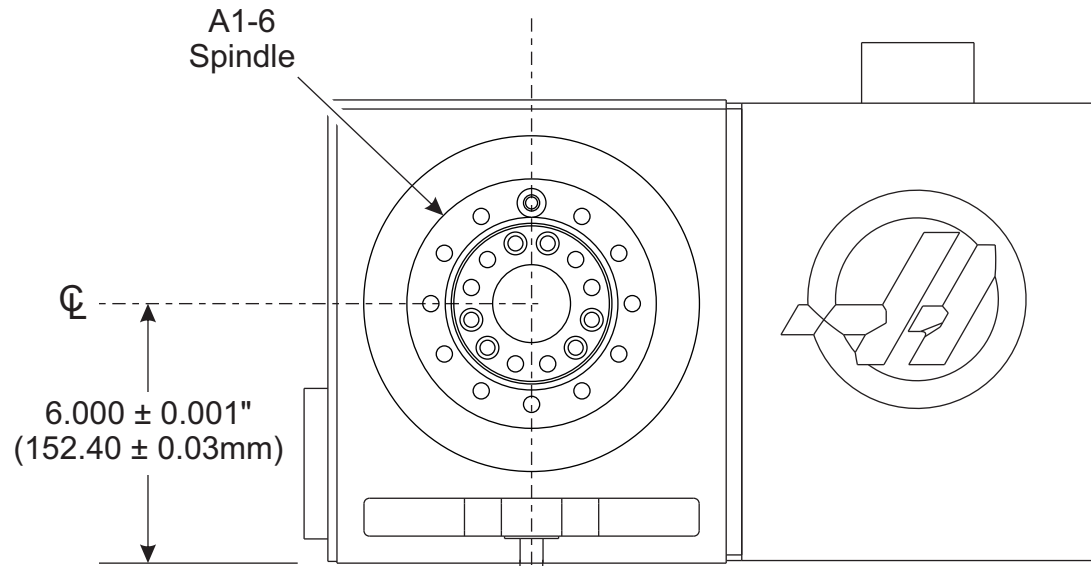
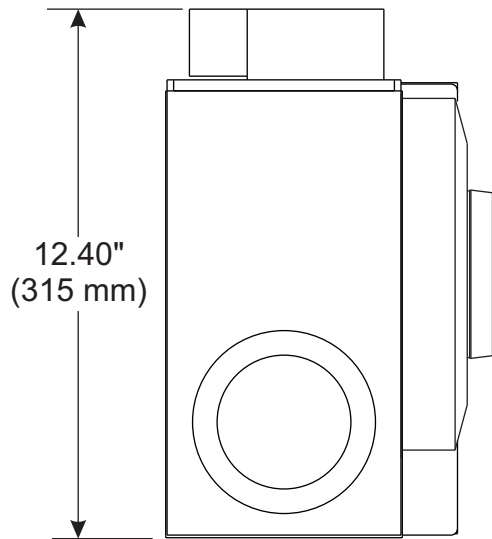


HRTA6 Machine Layout Drawing



Top View

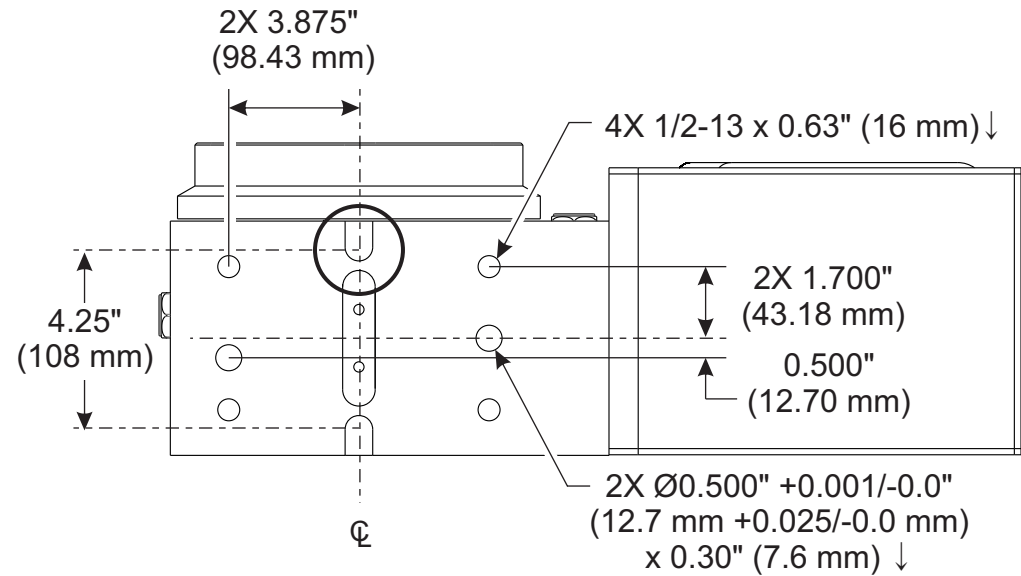
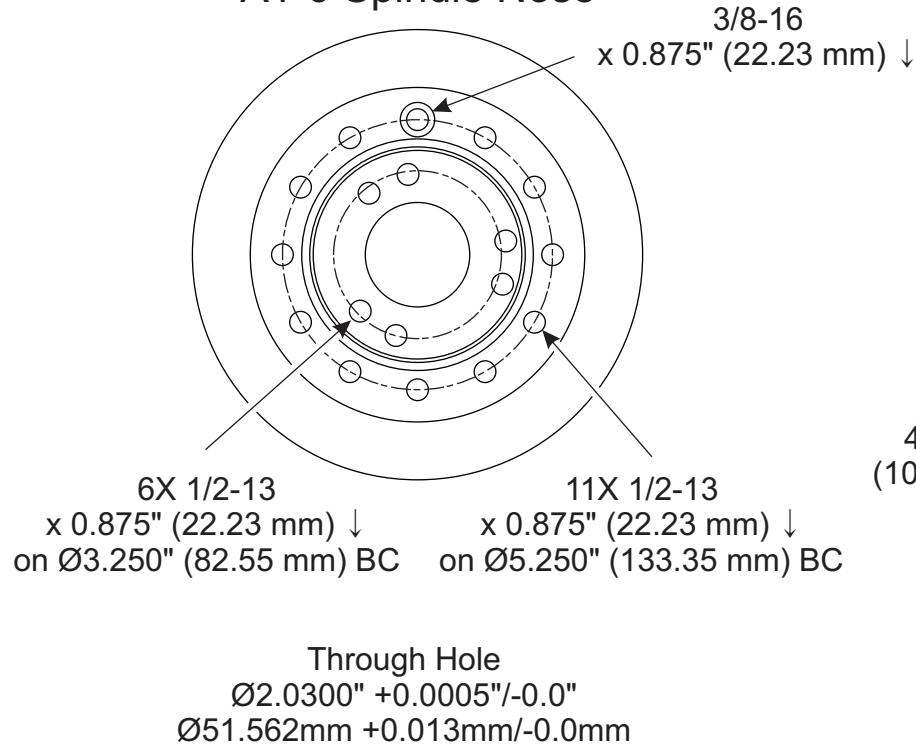


Front View

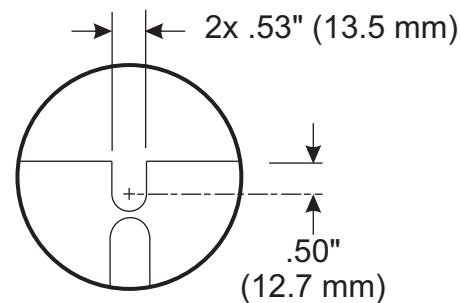


HRTA6 Machine Layout Drawing

HRTA6 Platter A1-6 Spindle Nose



Bottom View



Front and Rear
Tie-Down Slots

For mounting instructions,
see Rotary Operator's Manual.

Go to www.haascnc.com
for further rotary specifications.

