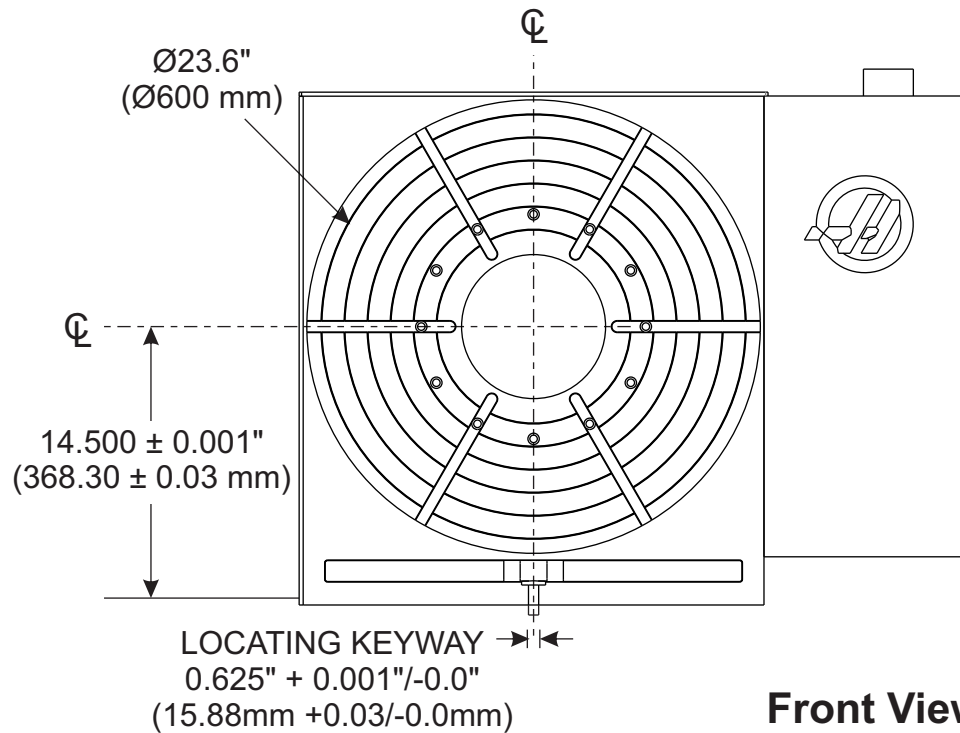
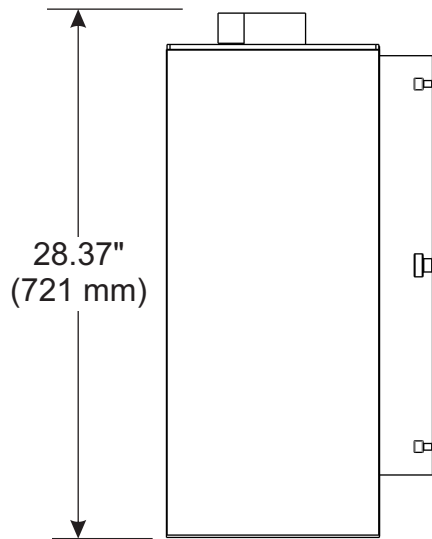
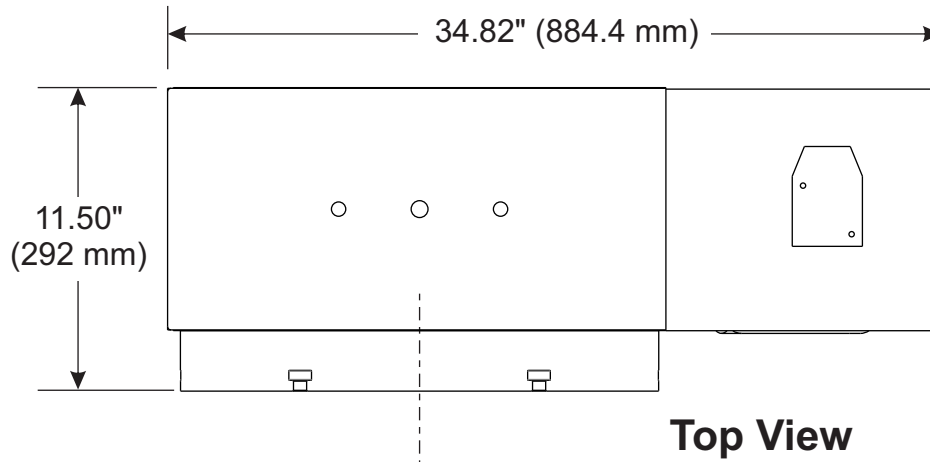
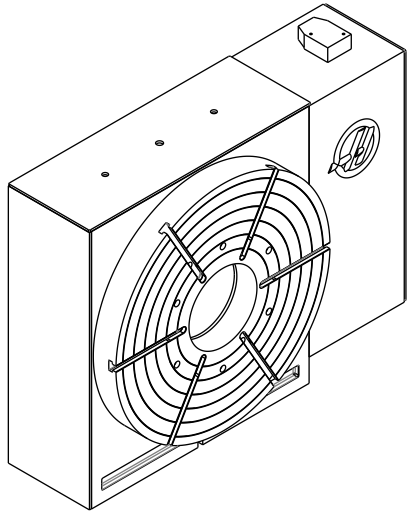
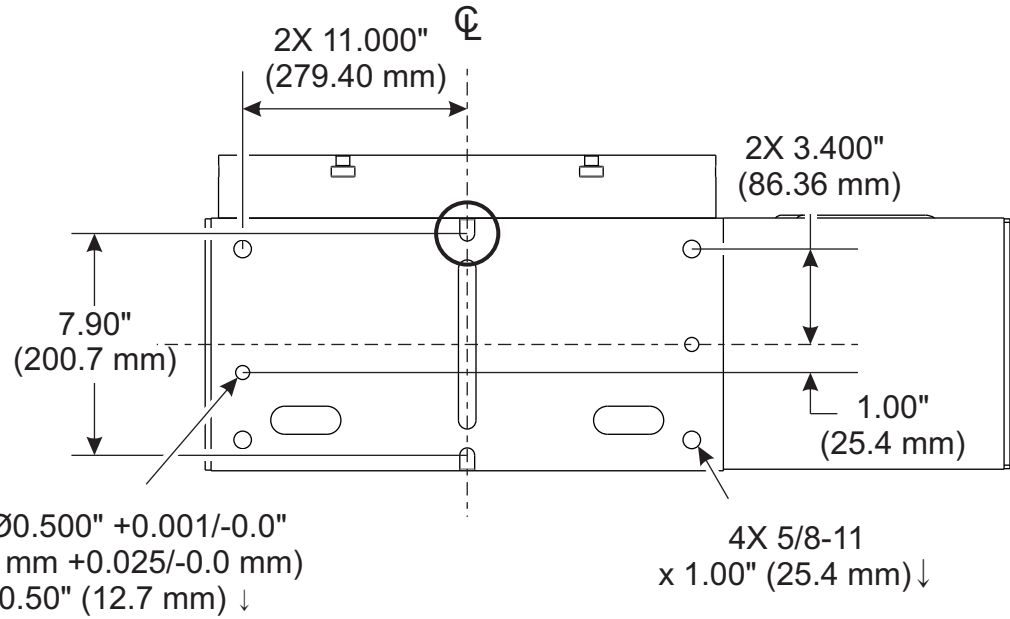
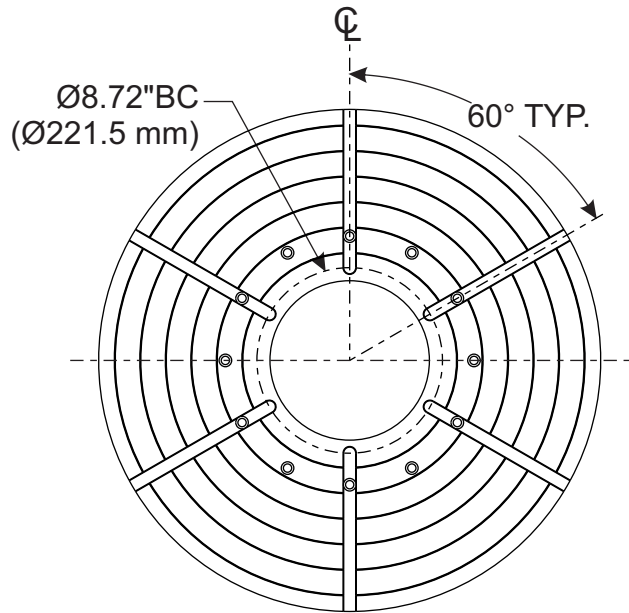


HRT600 Machine Layout Drawing

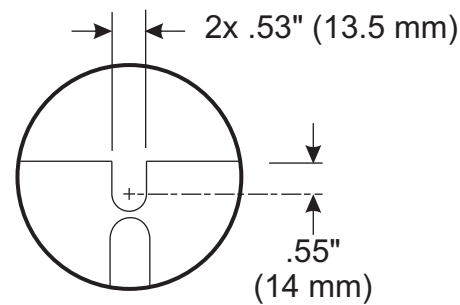
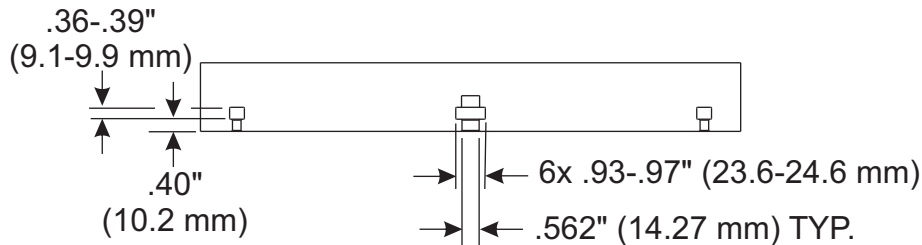


HRT600 Machine Layout Drawing

HRT600 Platter Dimensions



Bottom View



Front and Rear Tie-Down Slots

For mounting instructions, see Rotary Operator's Manual.

Go to www.haascnc.com for further rotary specifications.

