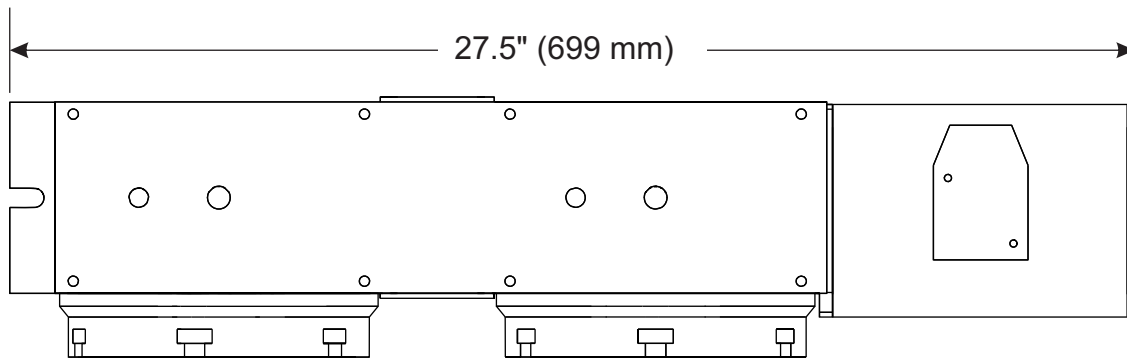
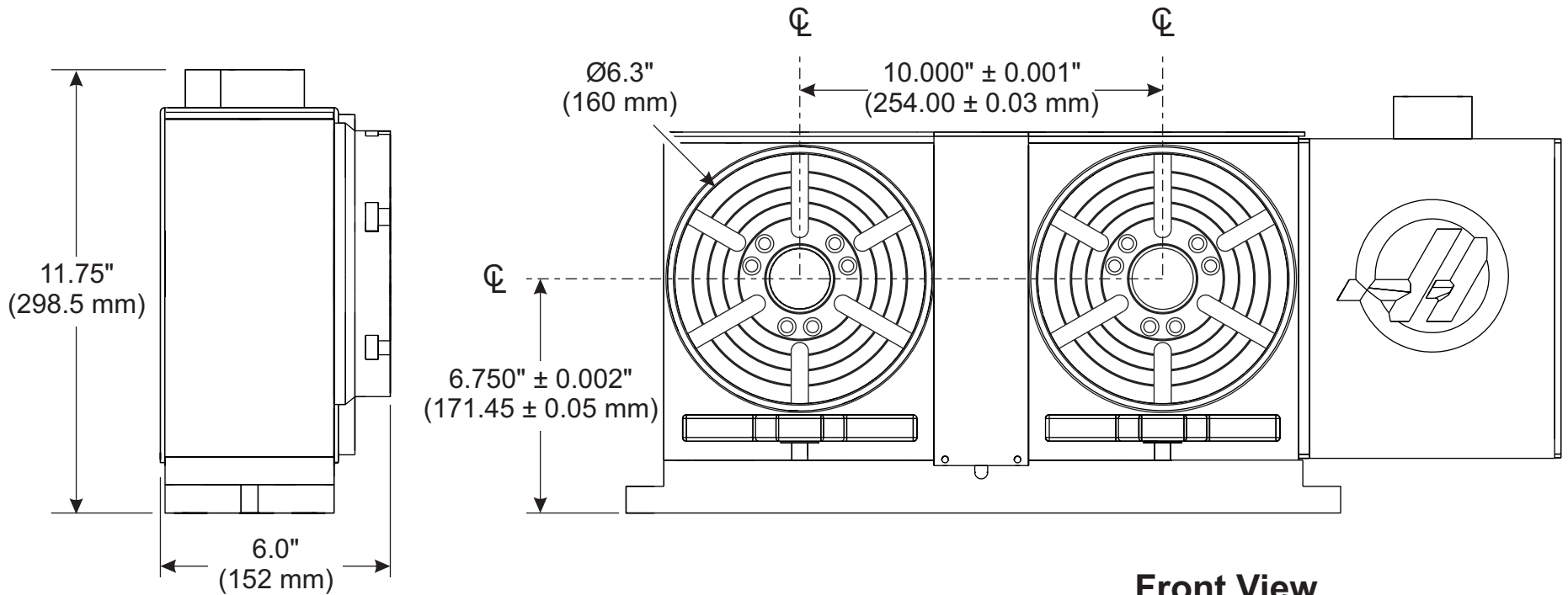
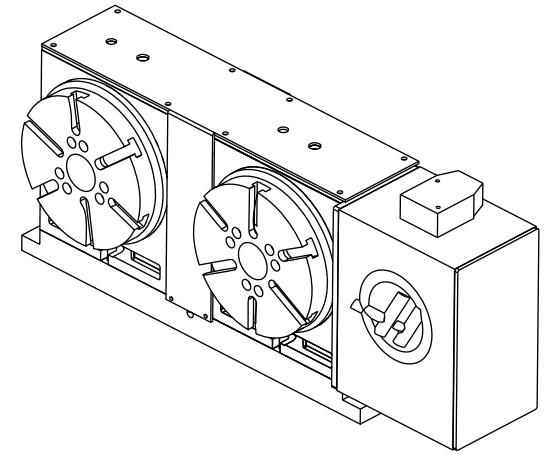


# HRT160-2 Machine Layout Drawing



**Top View**

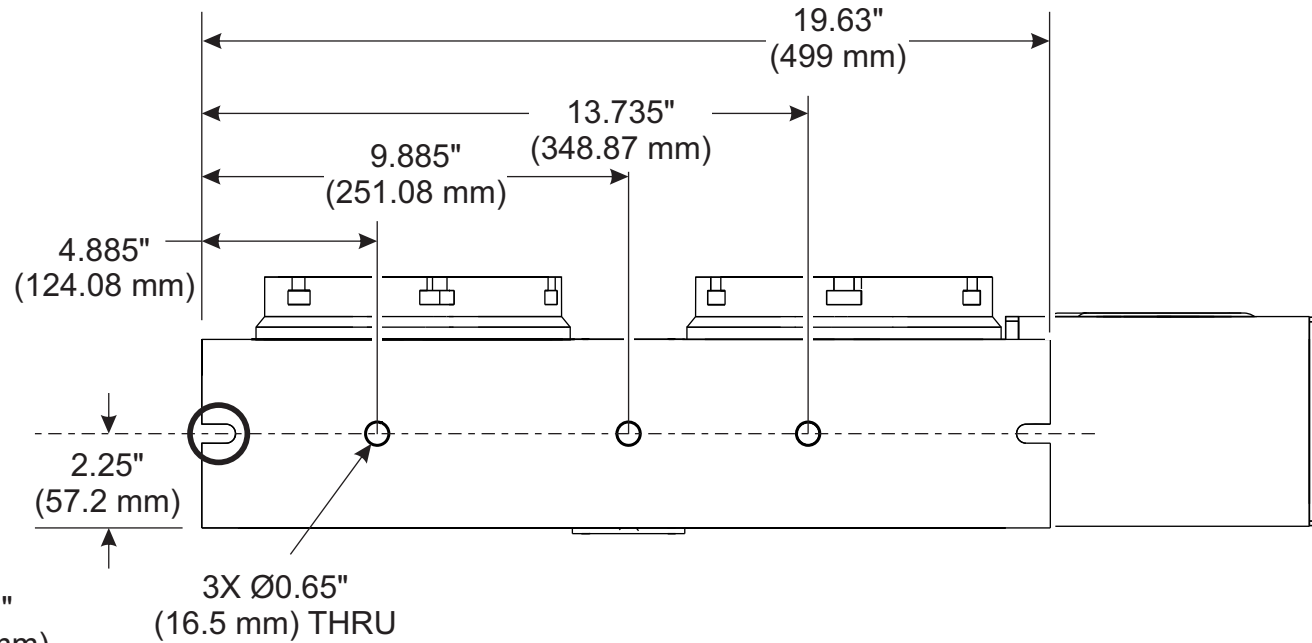
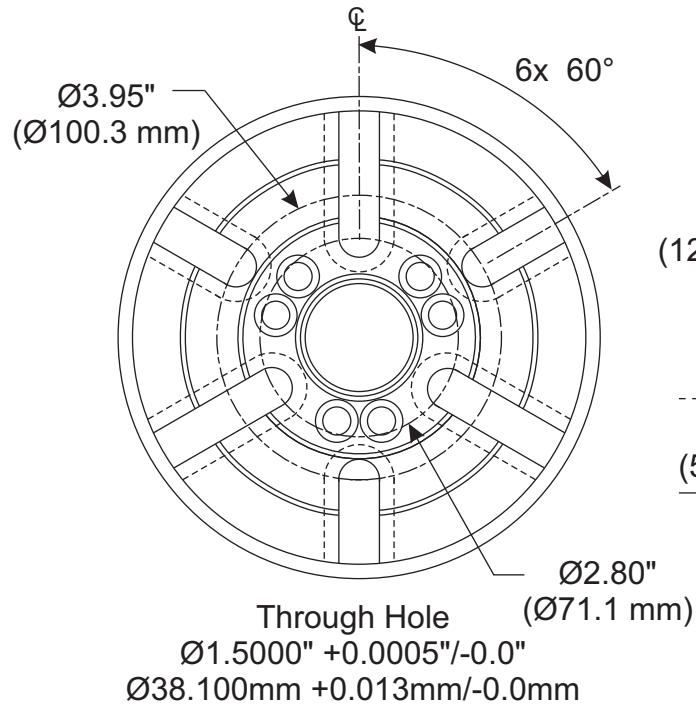


**Front View**

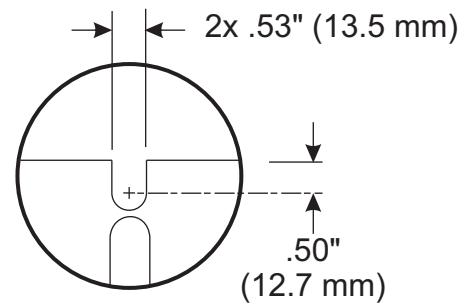
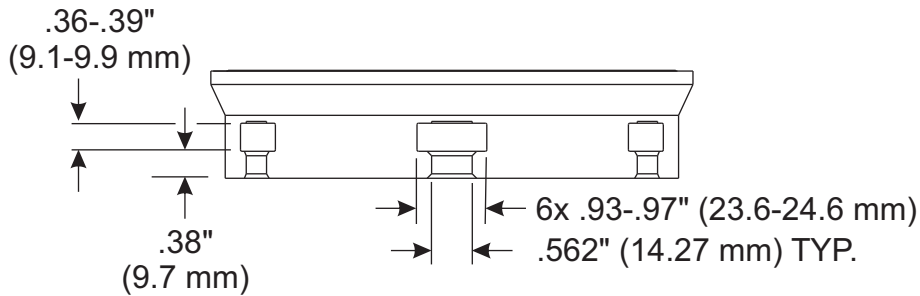


# HRT160-2 Machine Layout Drawing

## HRT160-2 Platter Dimensions



## Bottom View



Front and Rear Tie-Down Slots

For mounting instructions, see Rotary Operator's Manual.

Go to [www.haascnc.com](http://www.haascnc.com) for further rotary specifications.

