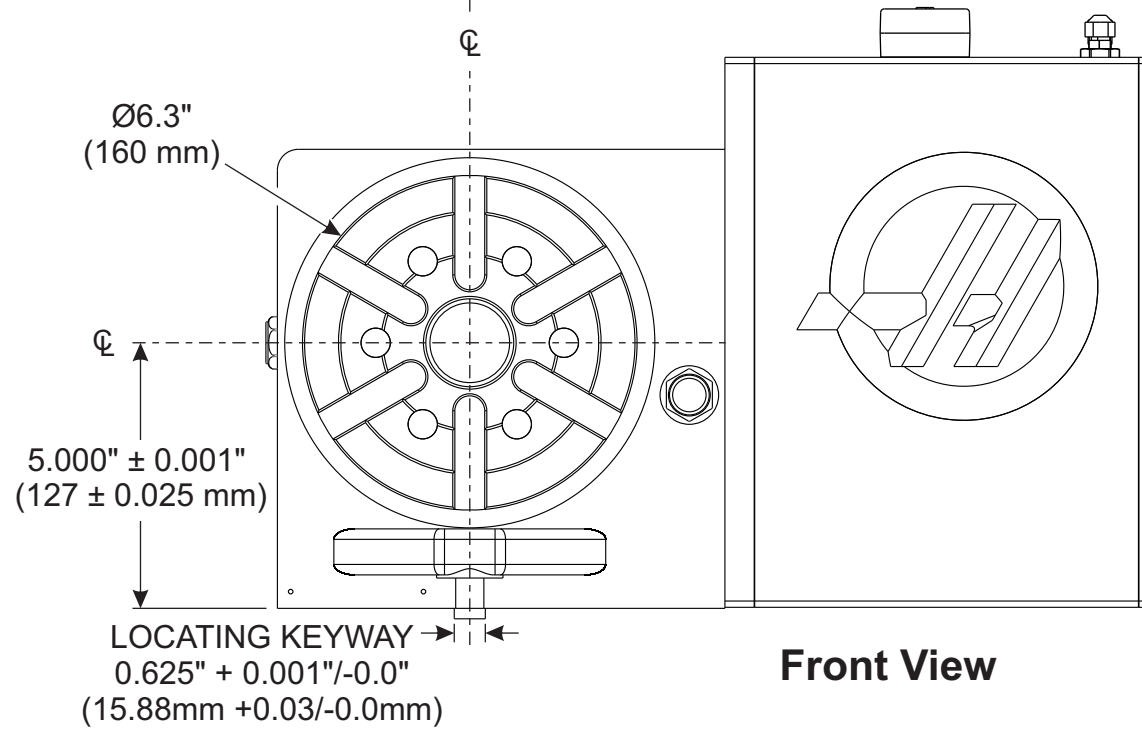
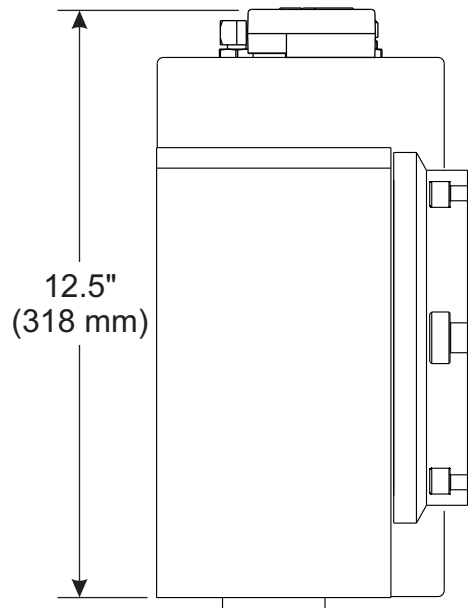
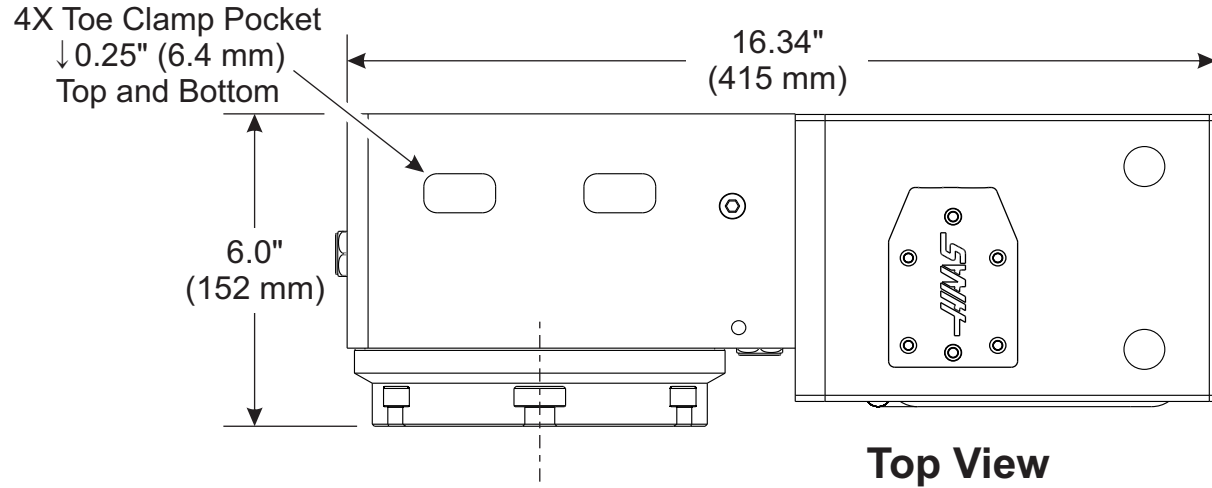
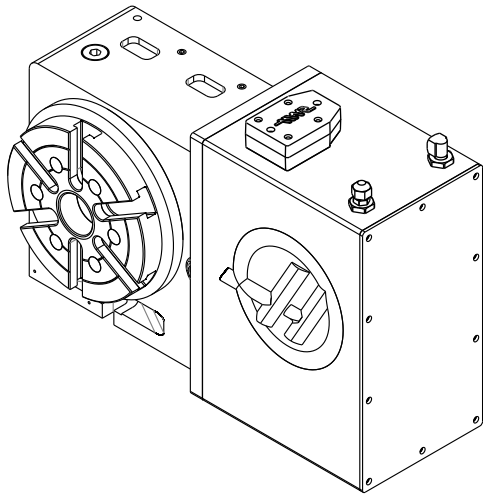
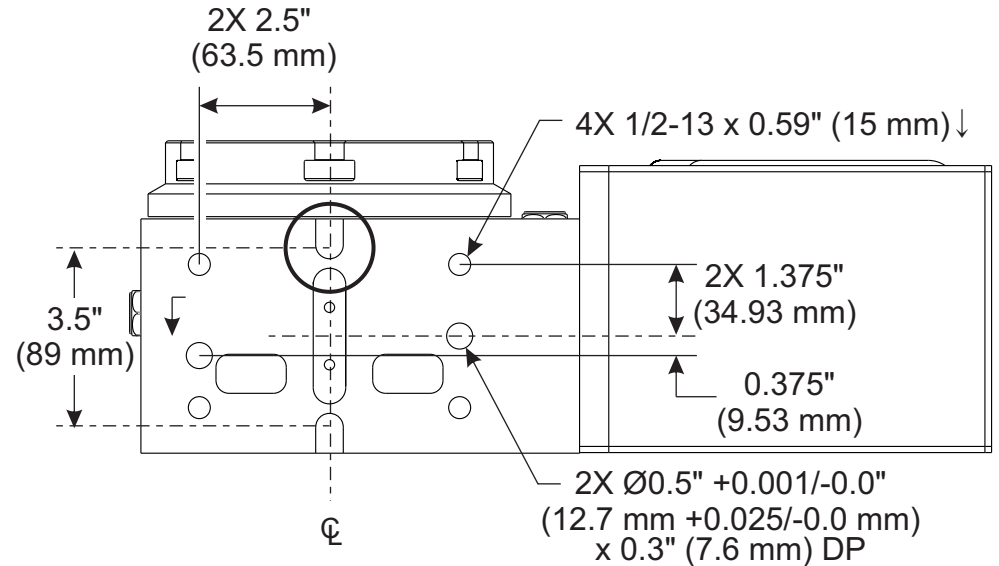
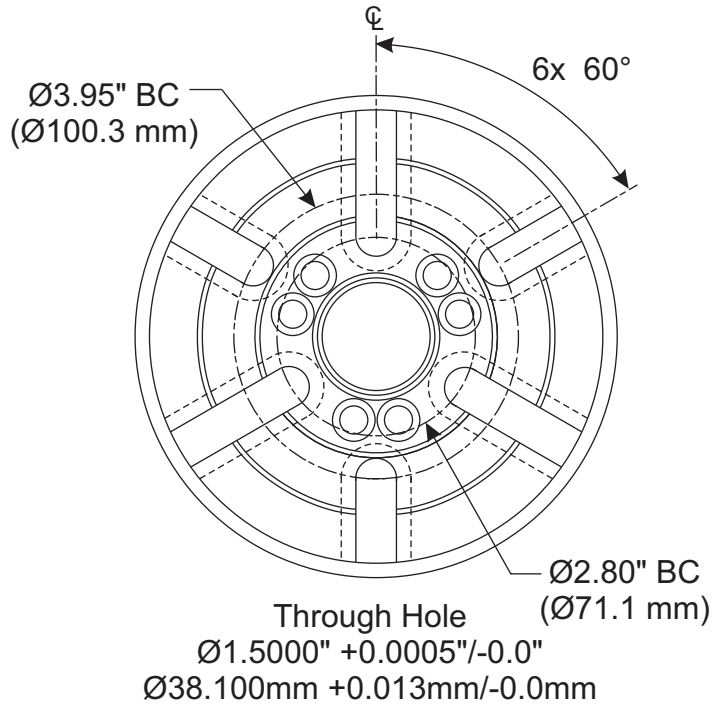


# HRC160 Machine Layout Drawing

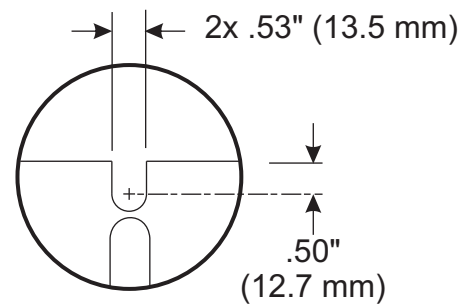
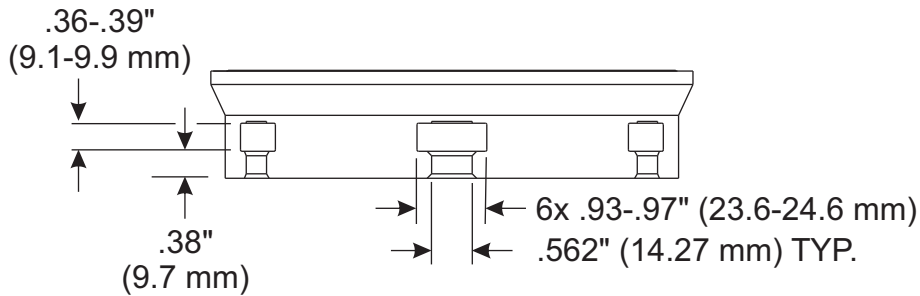


# HRC160 Machine Layout Drawing

## HRC160 Platter Dimensions



## Bottom View



Front and Rear Tie-Down Slots

For mounting instructions, see Rotary Operator's Manual.

Go to [www.haascnc.com](http://www.haascnc.com) for further rotary specifications.

