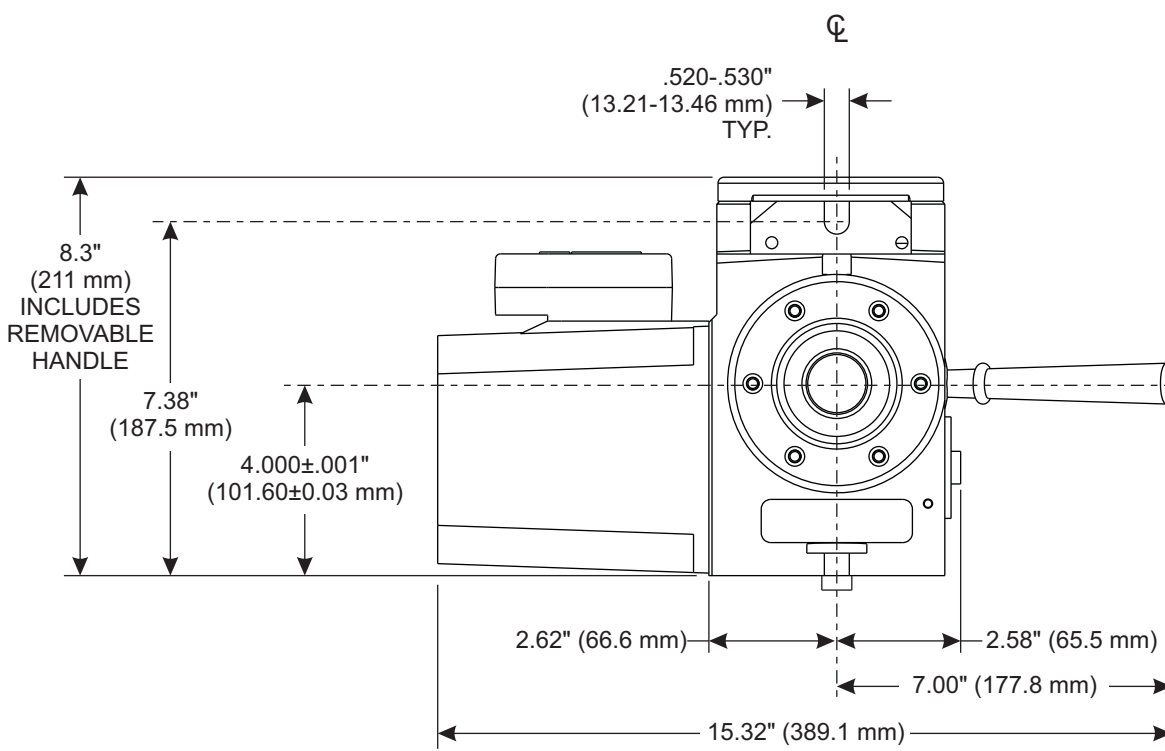
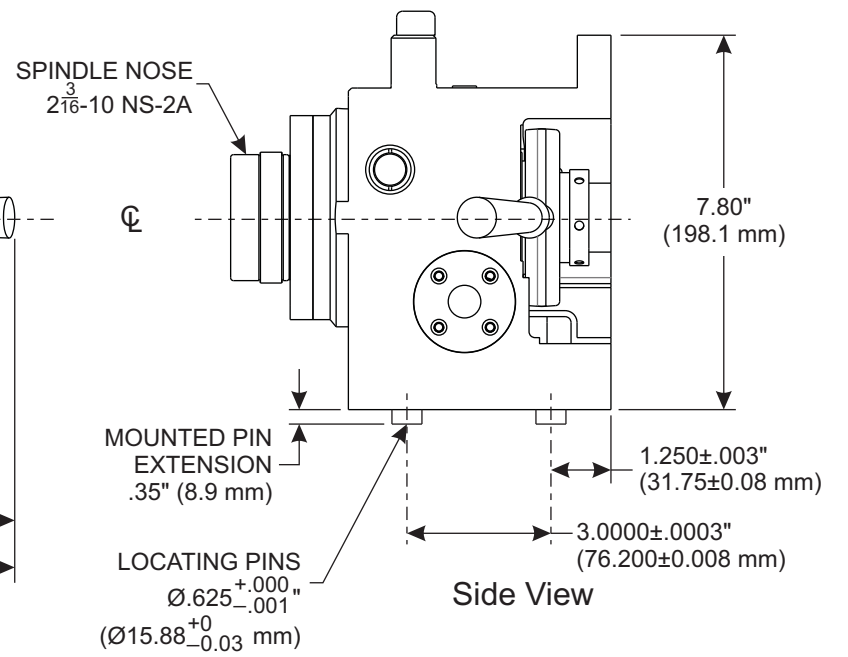


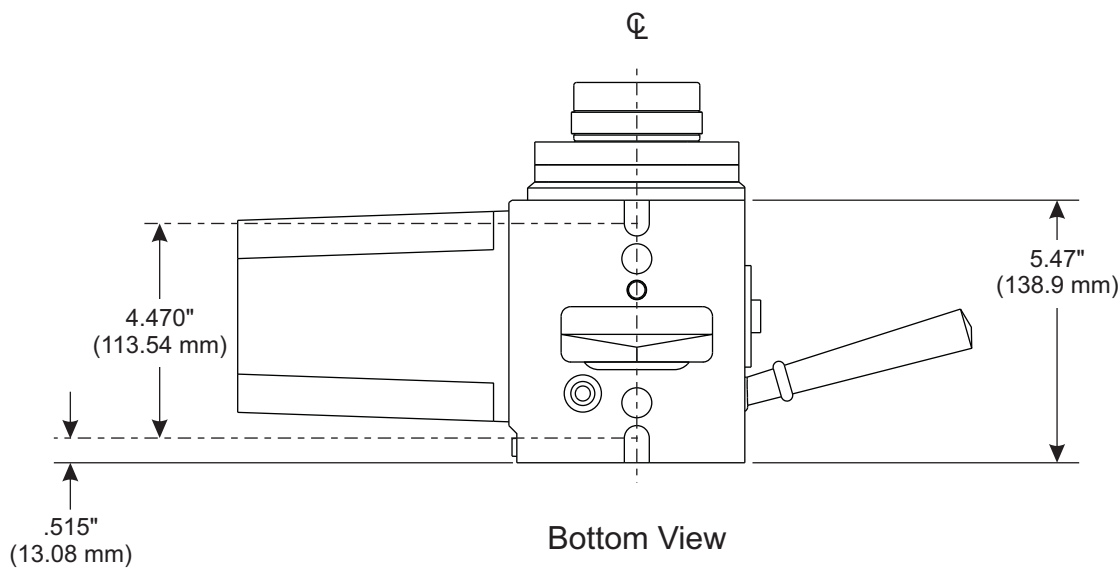
Top View



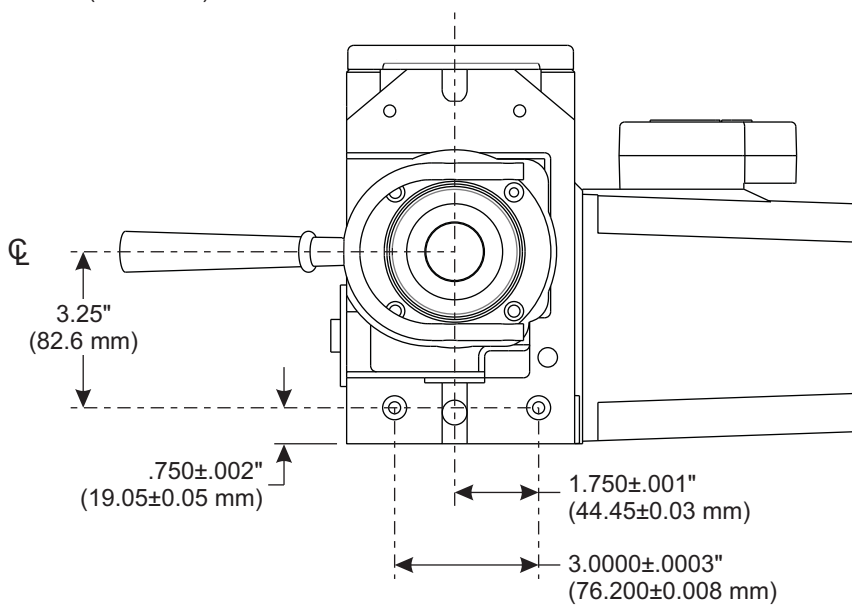
Front View



Side View



Bottom View



Back View
(out of position)

For mounting instructions, see Rotary Operator's Manual.

Go to www.haascnc.com for further rotary specifications.