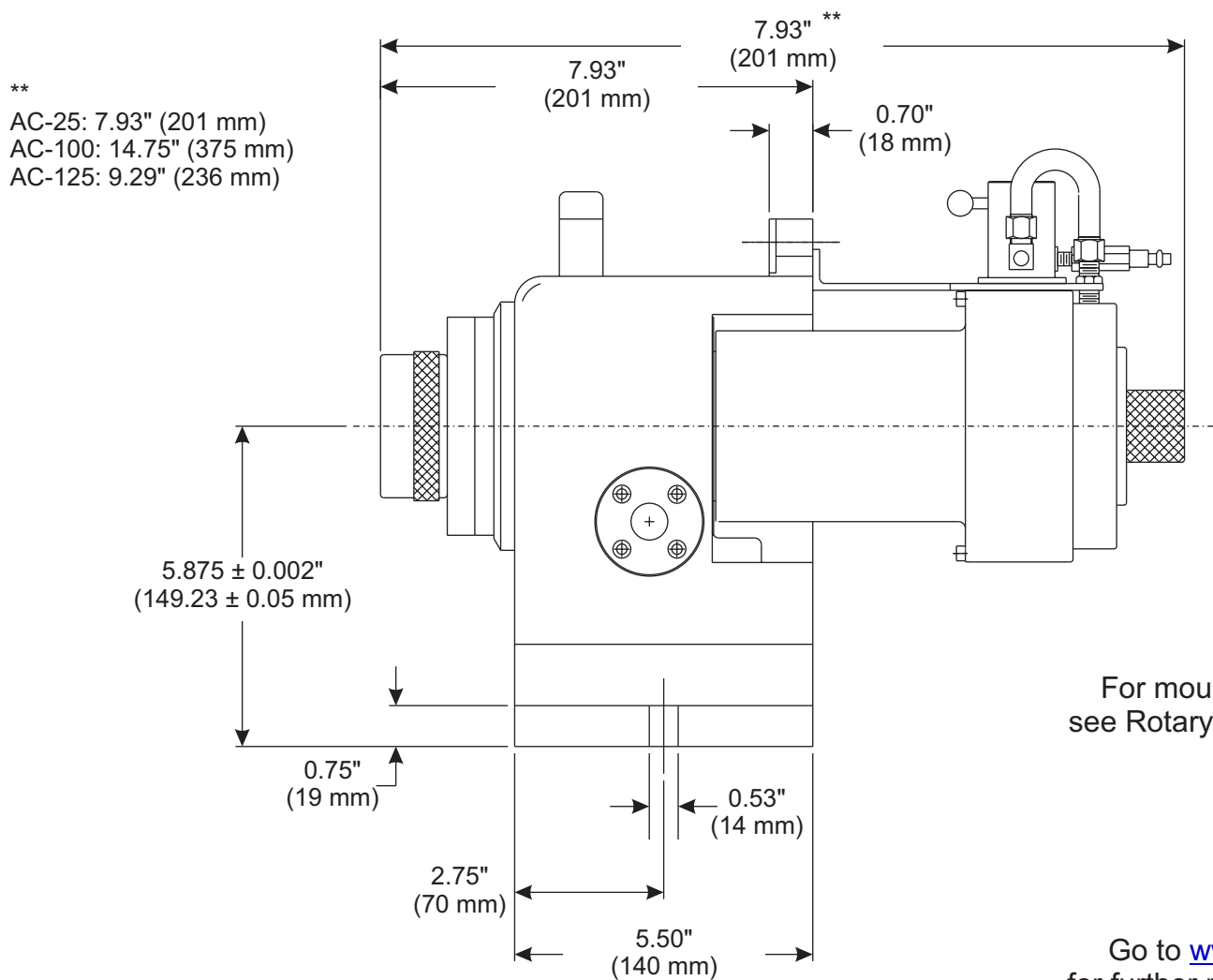
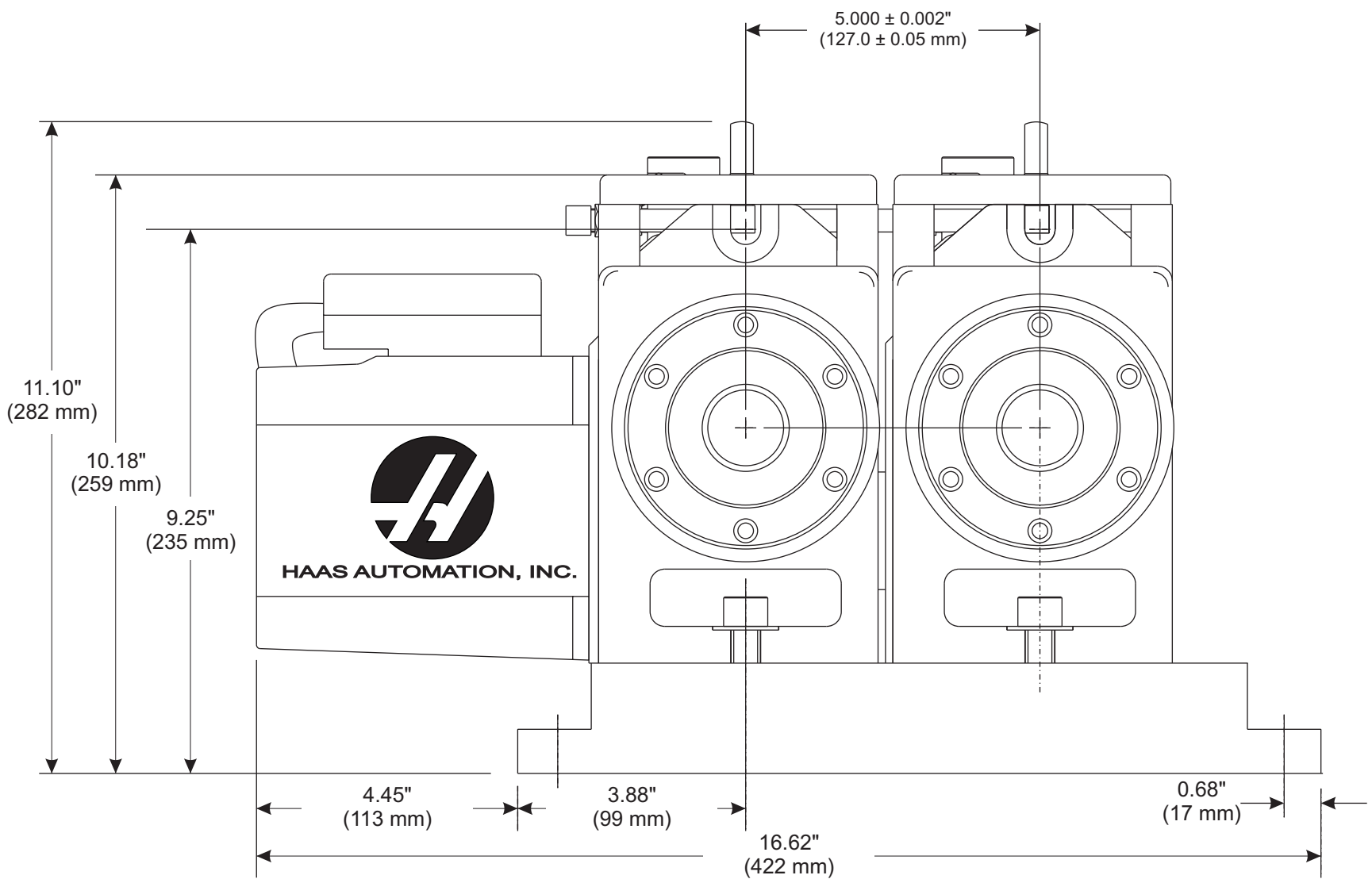


HA5C2 Machine Layout Drawing



For mounting instructions,
see Rotary Operator's Manual.

Go to www.haascnc.com
for further rotary specifications.