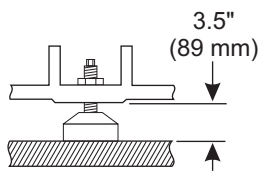
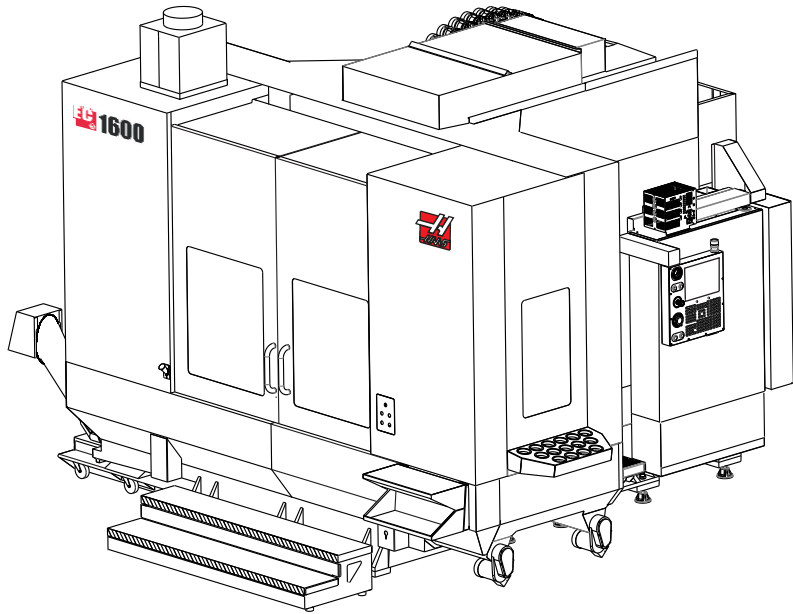


# EC-1600 Machine Layout Drawing

For machines built after August 2015

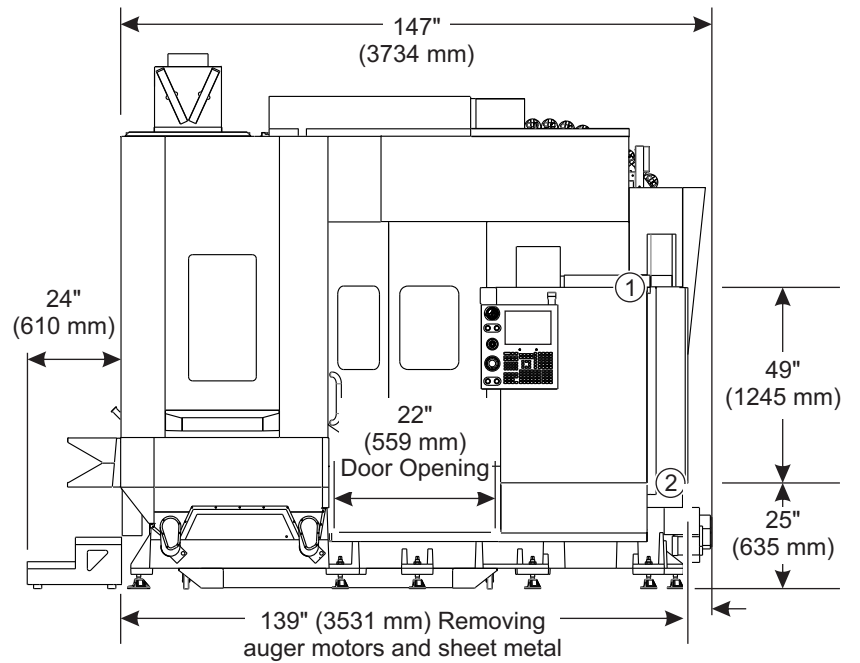
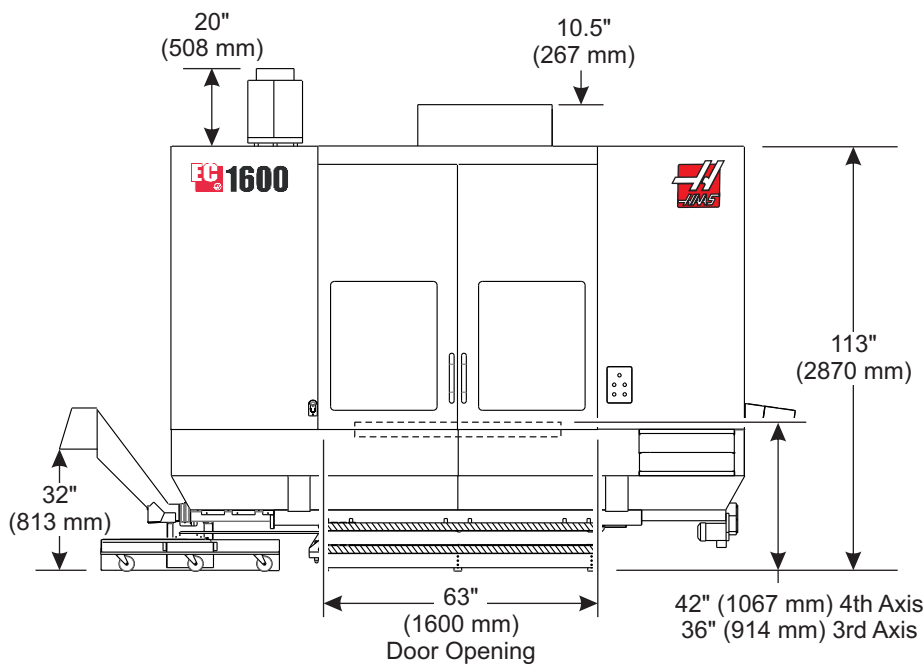
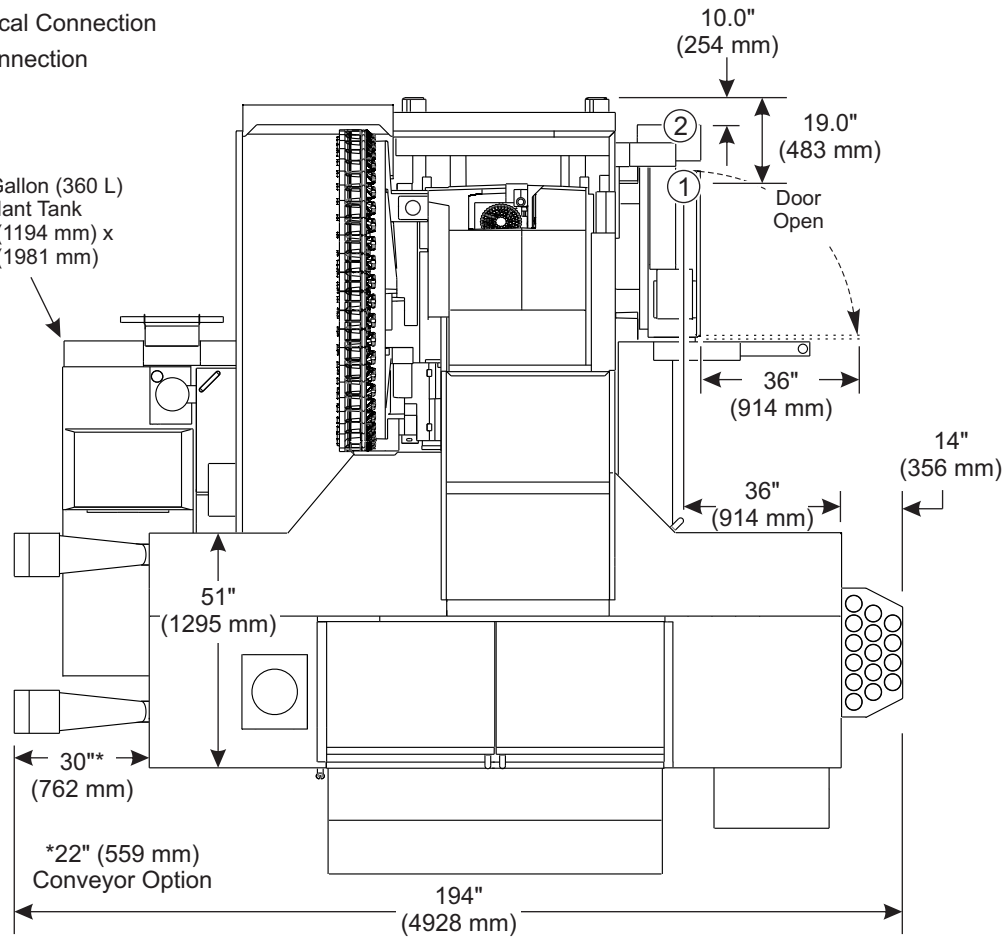


11X Leveling Pad Pin Dimension



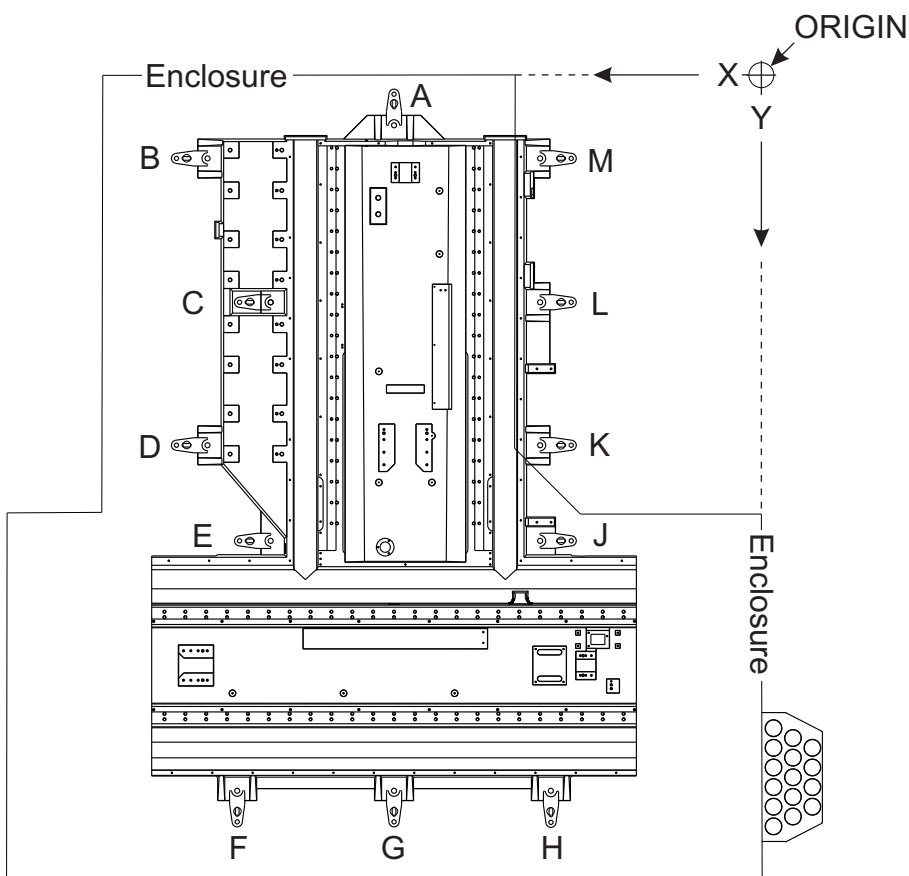
- ① Electrical Connection
- ② Air Connection

95 Gallon (360 L)  
Coolant Tank  
47" (1194 mm) x  
78" (1981 mm)

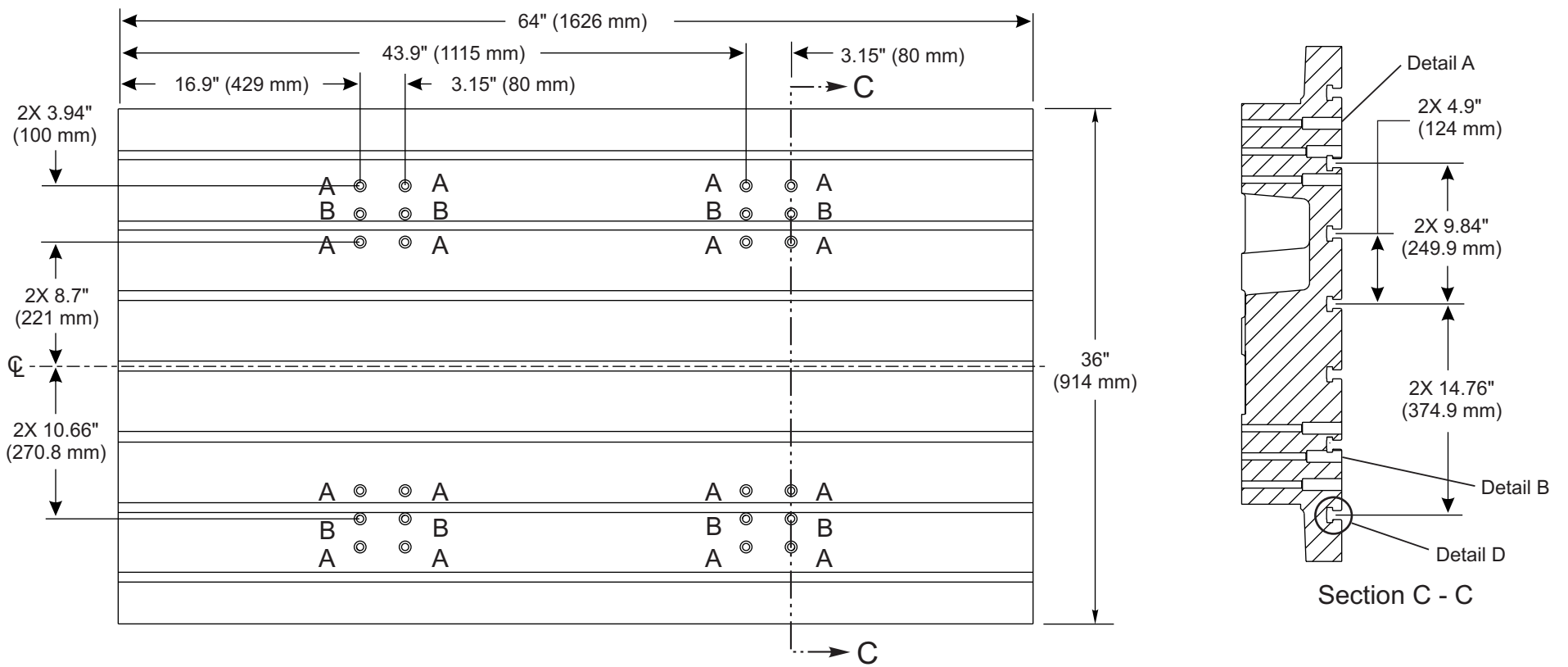


EC-1600 Anchor Pattern

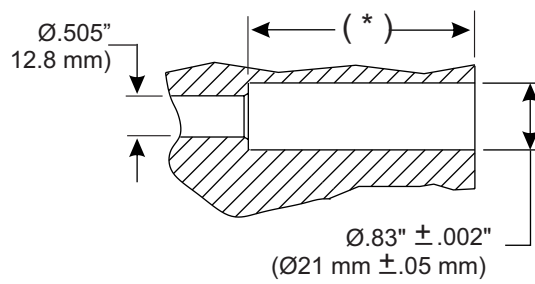
Hole	X Distance to Origin	Y Distance to Origin
A	75" (1905 mm)	4.75" (121 mm)
B	116" (2946 mm)	15.5" (394 mm)
C	103.5" (2629 mm)	44" (1118 mm)
D	116" (2946 mm)	72.25" (1835 mm)
E	103.5" (2629 mm)	91.25" (2318 mm)
F	106" (2692 mm)	145" (3683 mm)
G	75" (1905 mm)	145" (3683 mm)
H	44" (1118 mm)	145" (3683 mm)
J	42" (1067 mm)	91.25" (2318 mm)
K	42" (1067 mm)	72.25" (1835 mm)
L	42" (1067 mm)	44" (1118 mm)
M	42" (1067 mm)	15.5" (394 mm)



# EC-1600 Machine Layout Drawing

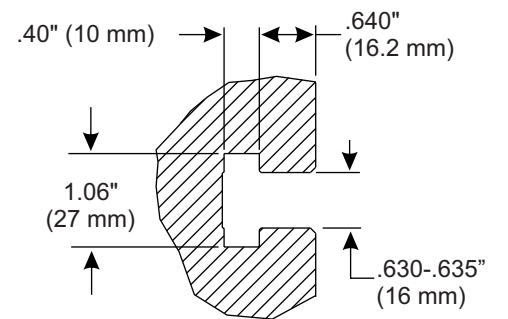


<b>A</b>	Ø.505" Thru x CBore Ø.828 ± .002 x 2.75" Deep (Ø12.8 Thru x CBore Ø21 ± .05 x 69.9 mm Deep)	16X
<b>B</b>	Ø.505" Thru x CBore Ø.828 ± .002 x 2.45" Deep (Ø12.8" Thru x CBore Ø21 ± .05 x 62.2 mm Deep)	8X



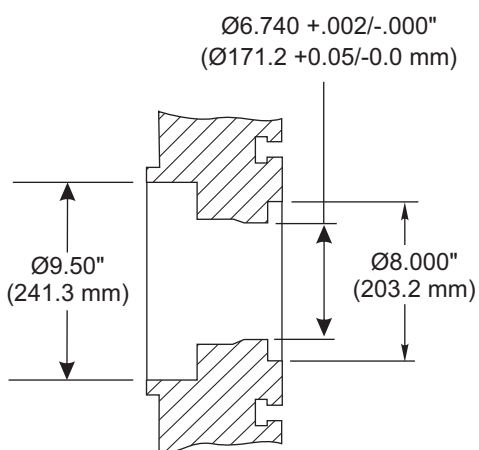
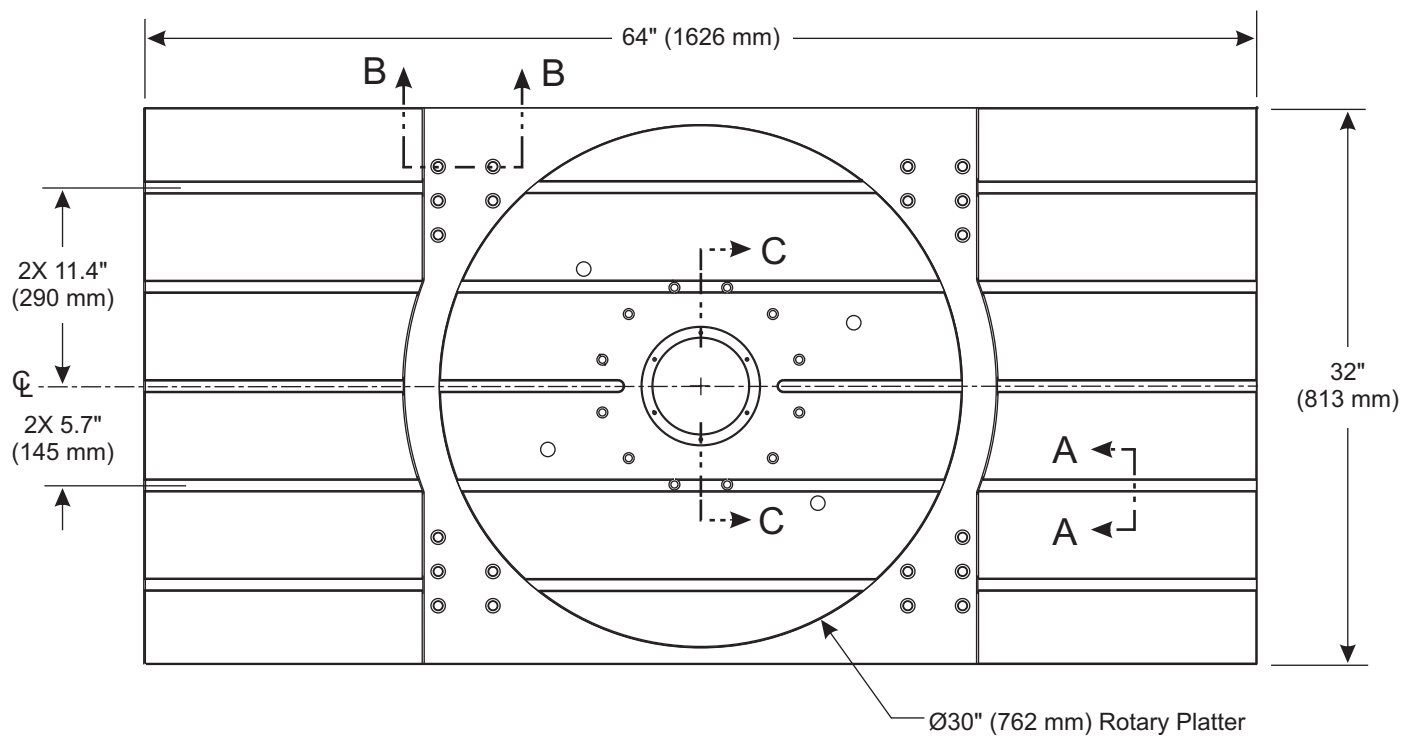
\* A - 2.75" (69.9 mm)  
B - 2.45" (62.2 mm)

Detail A & B

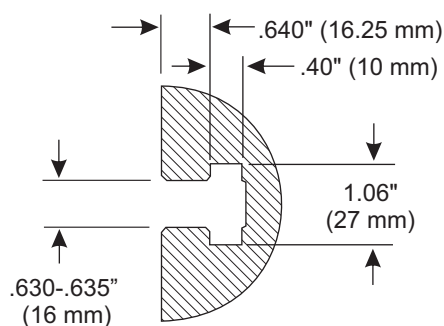


Detail D (7X)

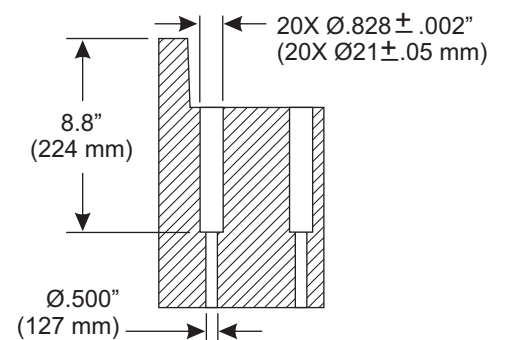
## EC-1600 Table Dimensions (3rd Axis)



Section C - C



Section A - A (5X)

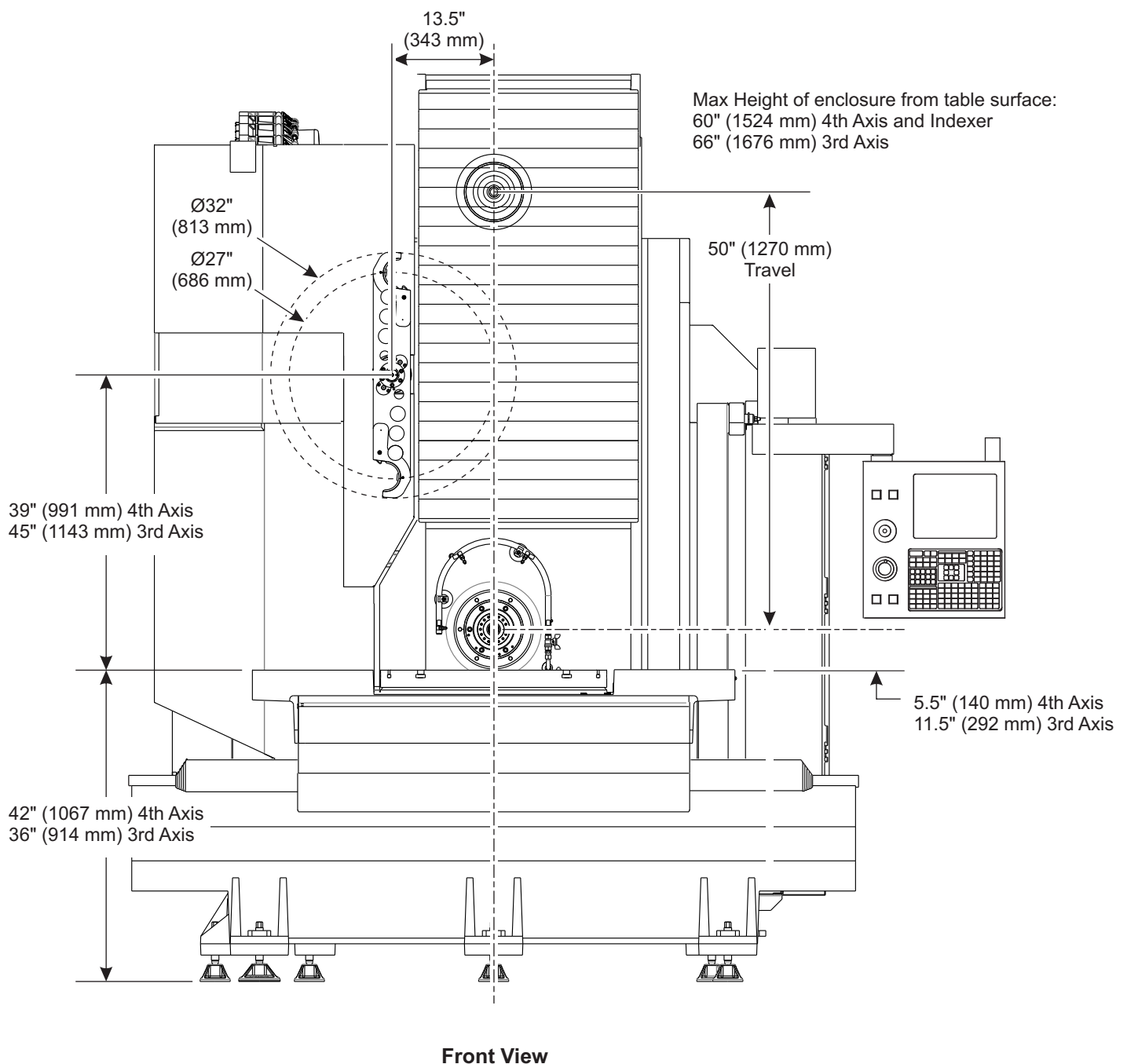
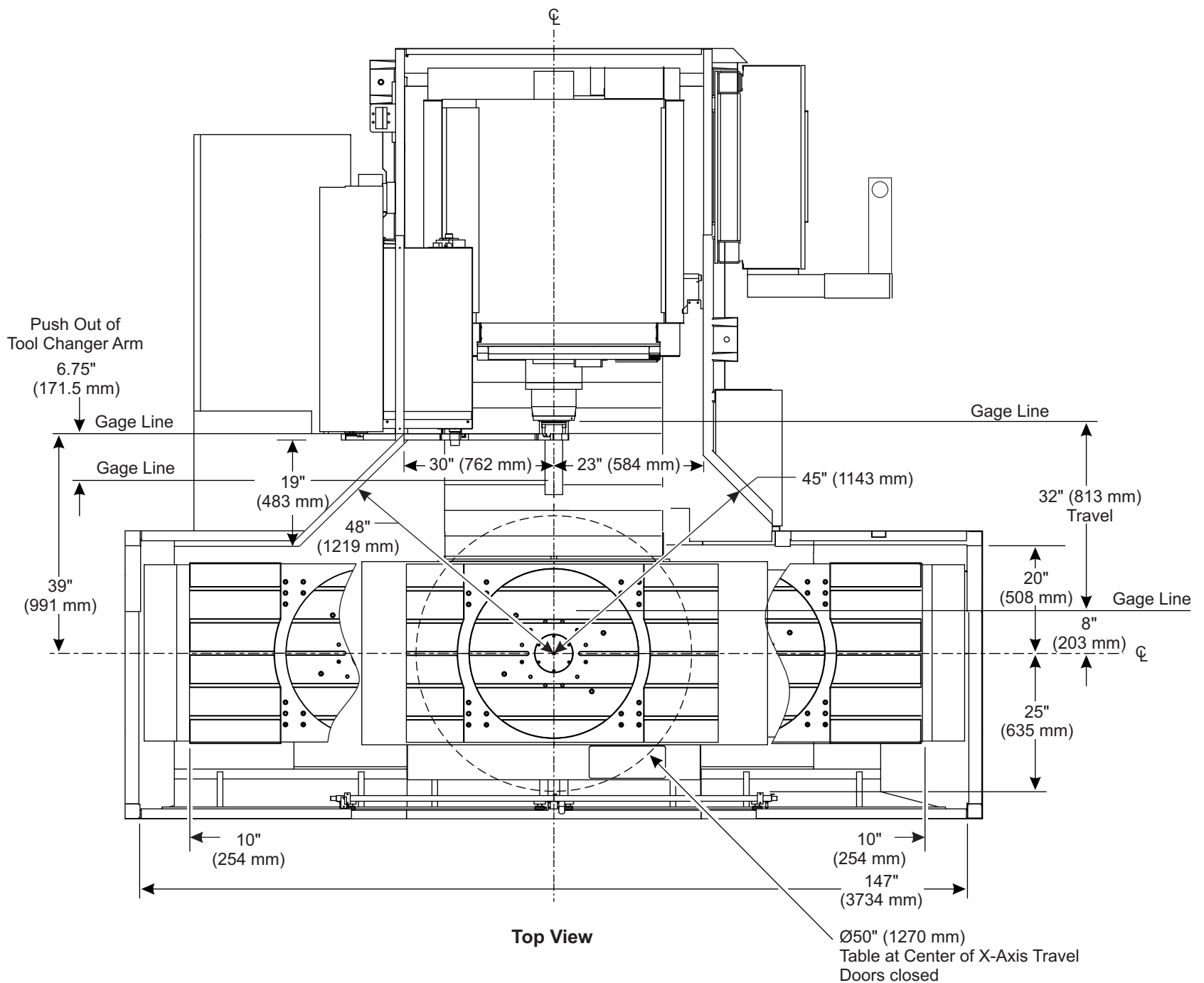


Section B - B

## EC-1600 Table Dimensions (4th Axis)

EC-1600 Revision C  
Page 2 of 3  
Oct 2015

# EC-1600 Machine Layout Drawing



**EC-1600 Enclosure Work Space**