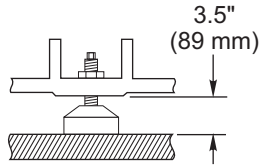
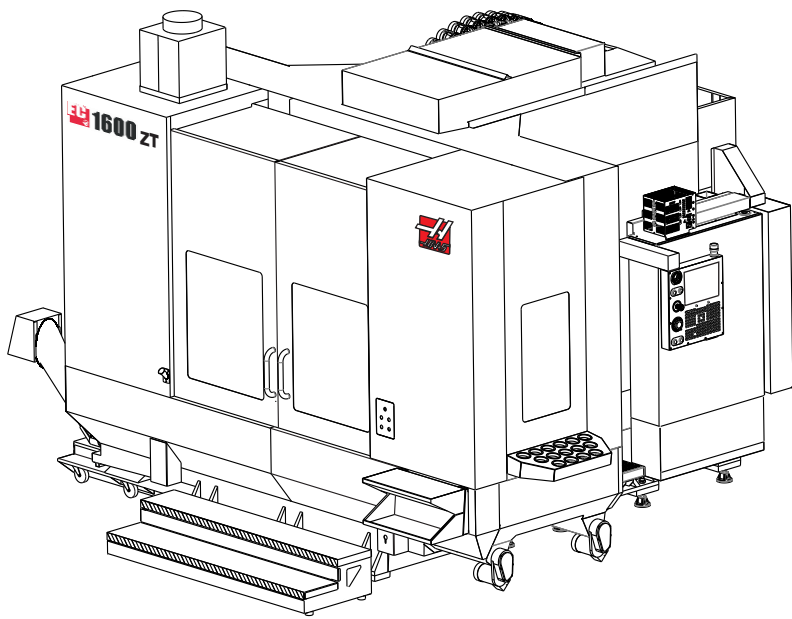


# EC-1600ZT Machine Layout Drawing

For machines built after August 2015

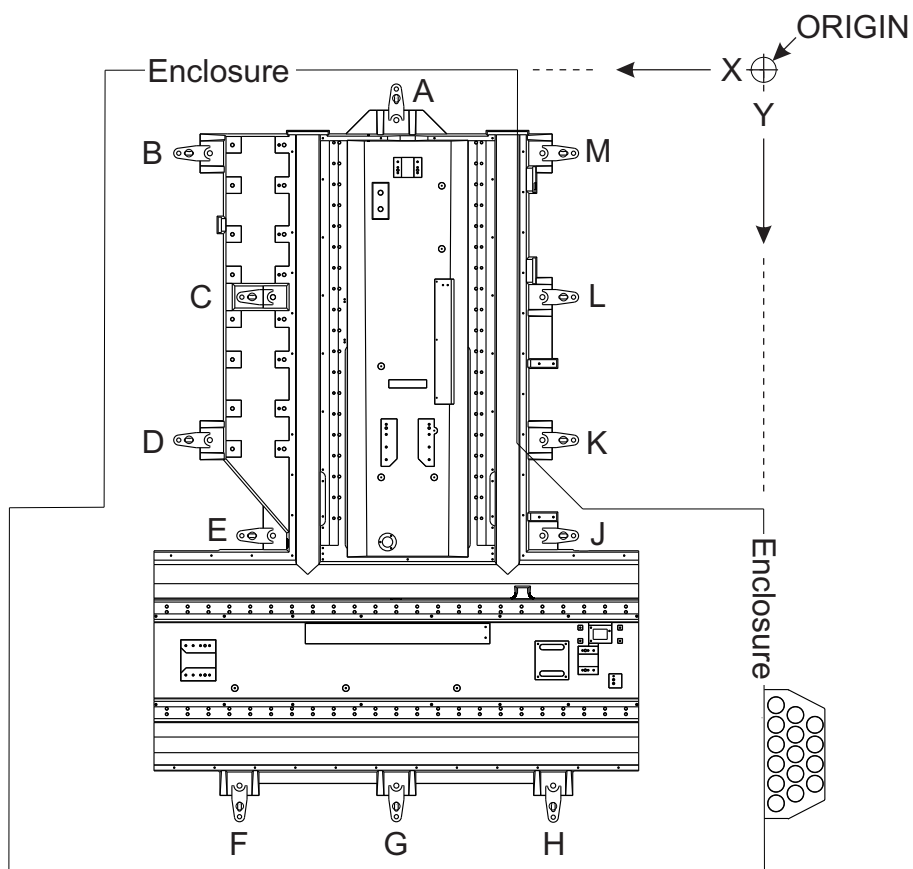
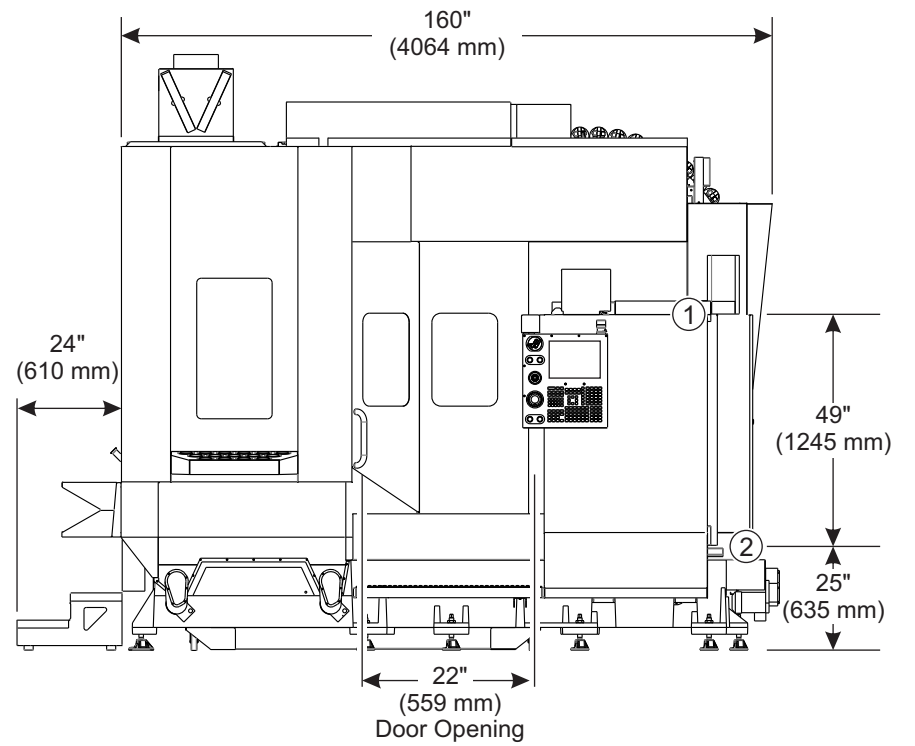
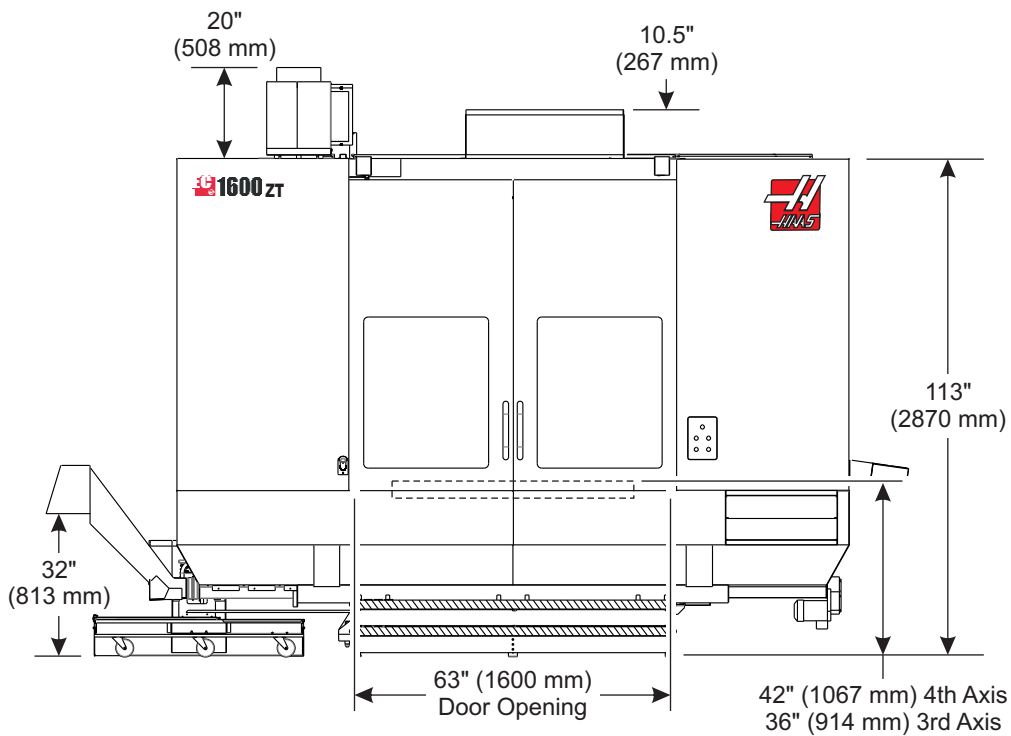
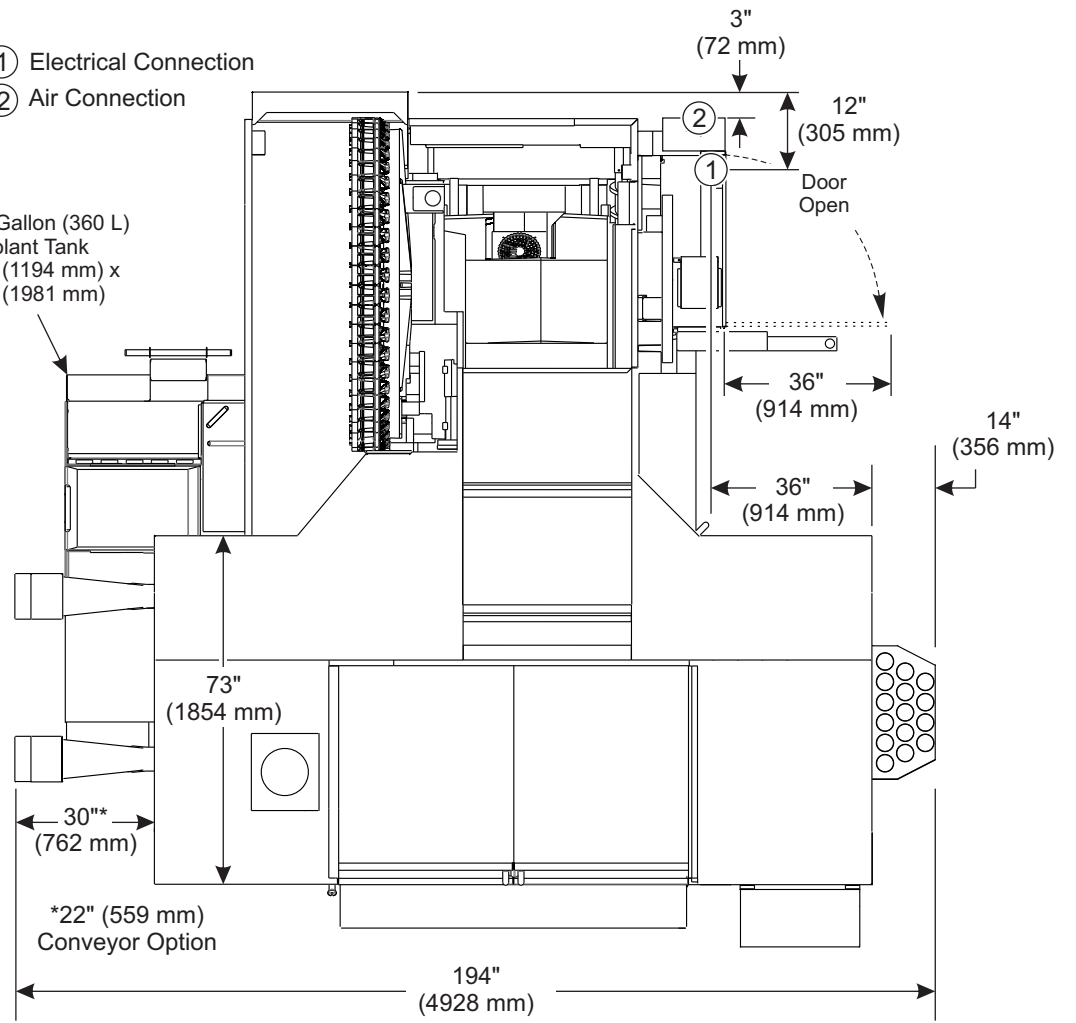


11X Leveling Pad Pin Dimension



- ① Electrical Connection
- ② Air Connection

95 Gallon (360 L)  
Coolant Tank  
47" (1194 mm) x  
78" (1981 mm)

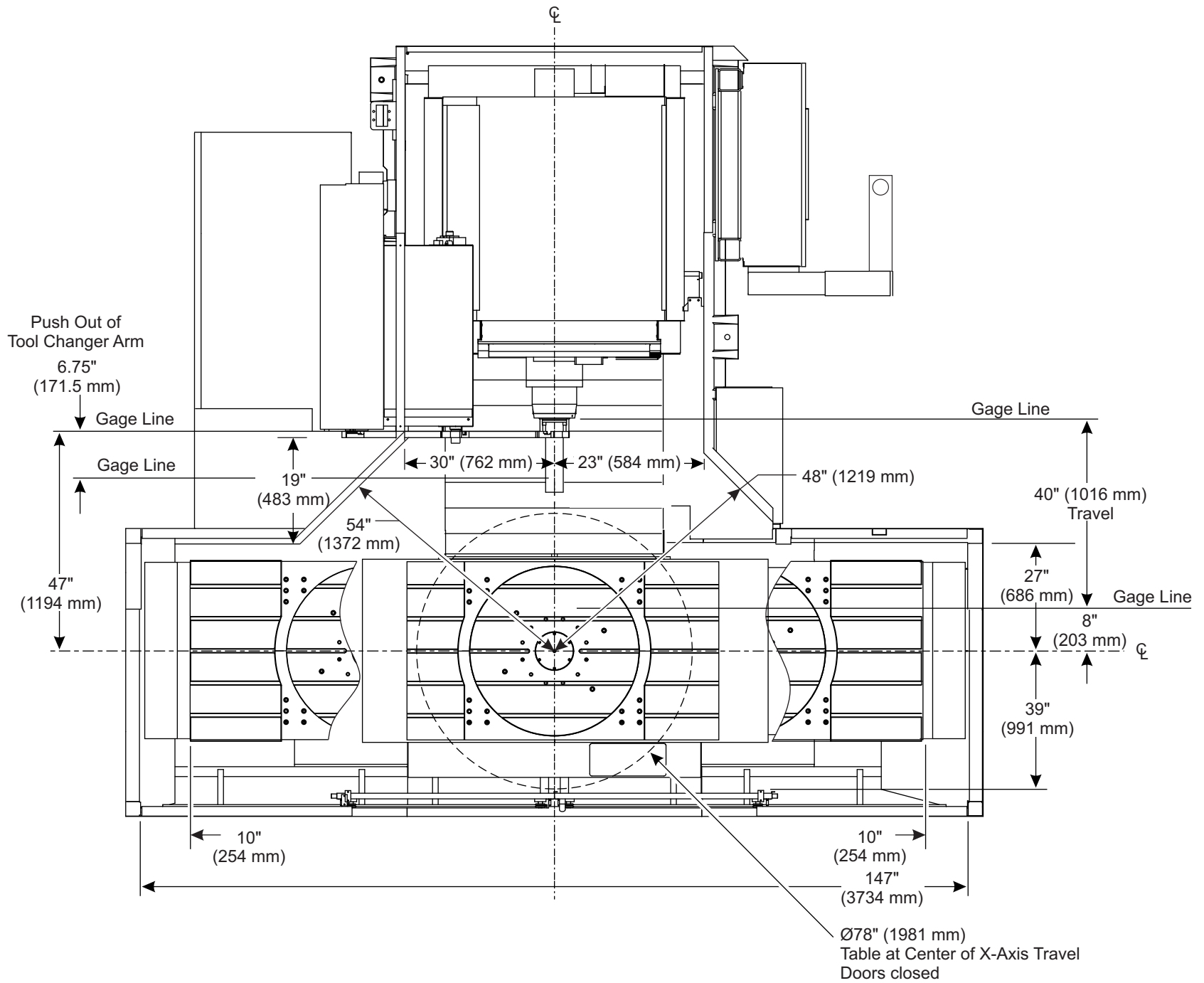


EC-1600ZT Anchor Pattern

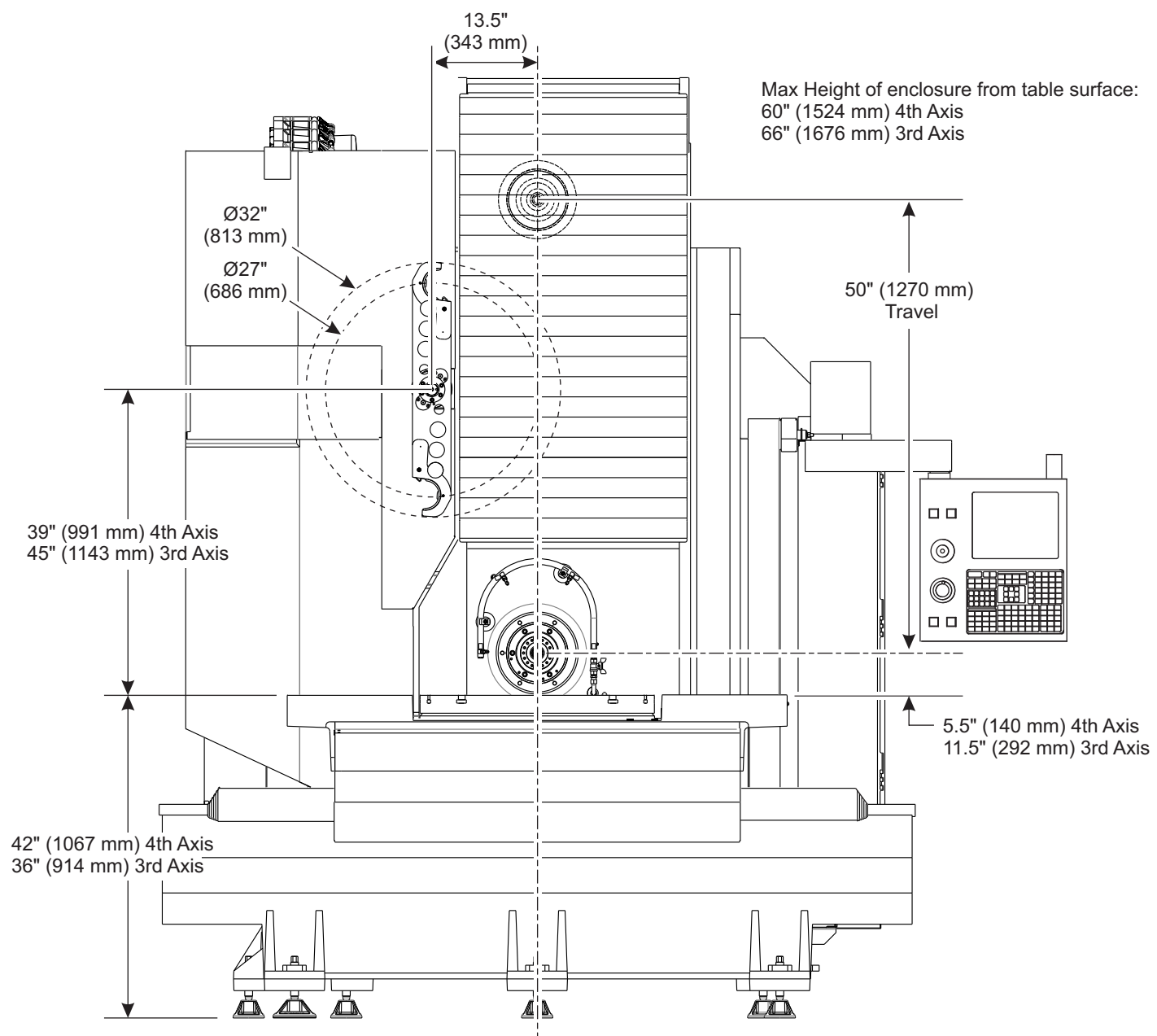
Hole	X Distance to Origin	Y Distance to Origin
A	75" (1905 mm)	11.25" (286 mm)
B	116" (2946 mm)	22" (559 mm)
C	103.5" (2629 mm)	50.5" (1283 mm)
D	116" (2946 mm)	78.75" (2000 mm)
E	103.5" (2629 mm)	97.75" (2483 mm)
F	106" (2692 mm)	151.5" (3848 mm)
G	75" (1905 mm)	151.5" (3848 mm)
H	44" (1118 mm)	151.5" (3848 mm)
J	42" (1067 mm)	97.75" (2483 mm)
K	42" (1067 mm)	78.75" (2000 mm)
L	42" (1067 mm)	50.5" (1283 mm)
M	42" (1067 mm)	22" (559 mm)



# EC-1600ZT Machine Layout Drawing



Top View



Front View

## EC-1600ZT Enclosure Work Space