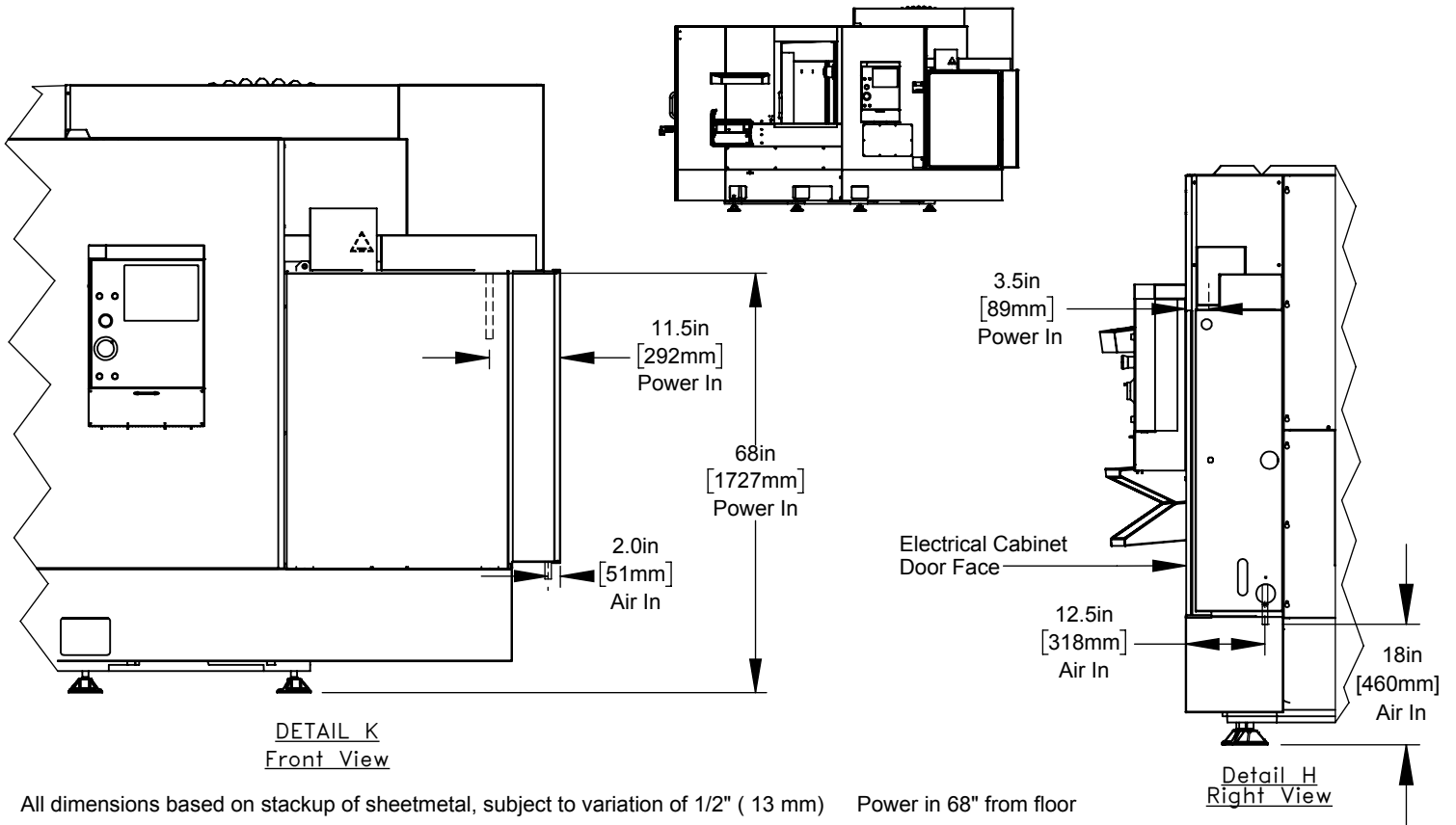


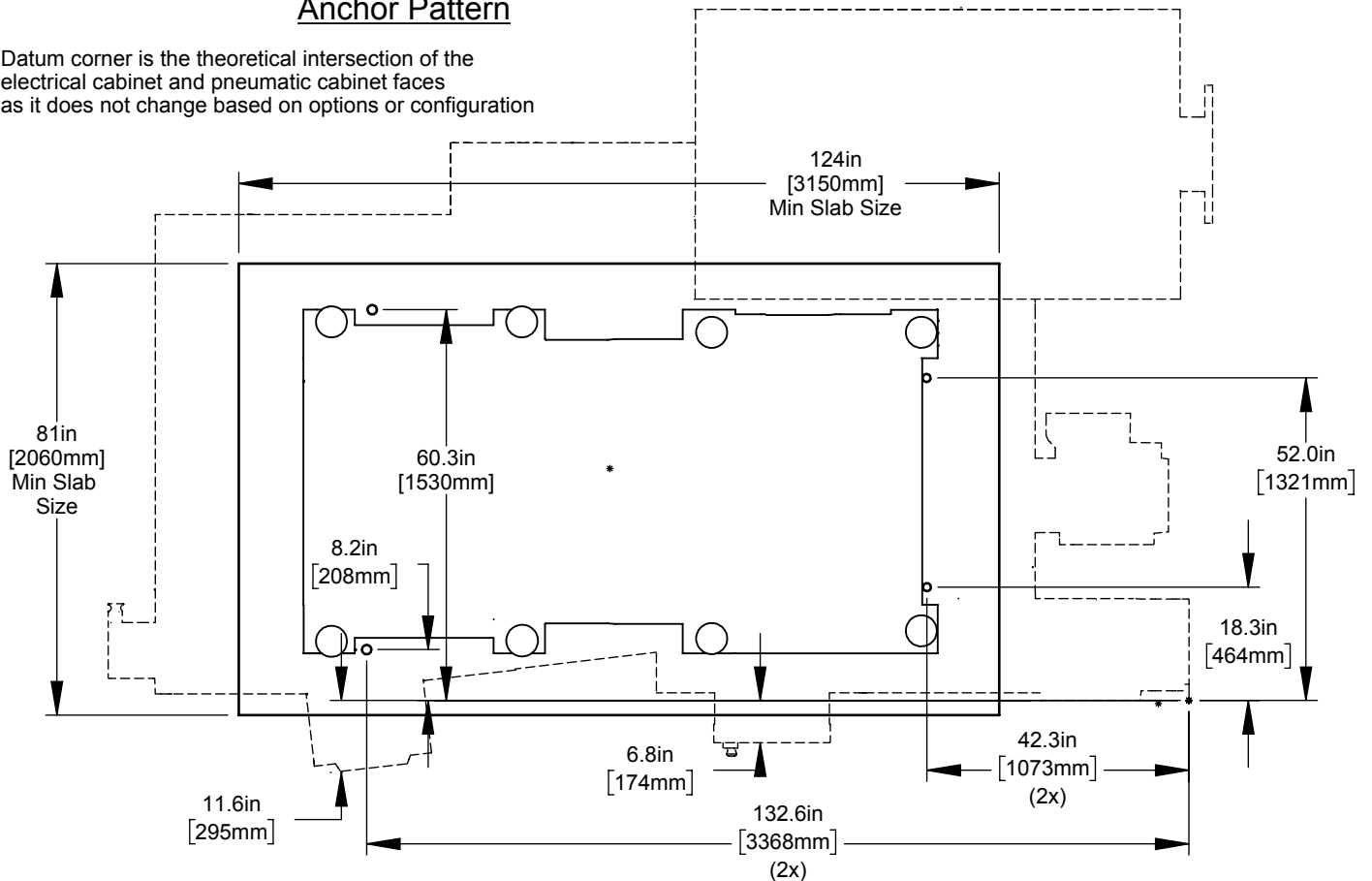
All dimensions based on stackup of sheetmetal, subject to variation of 1/2" ( 13 mm)

Air & Power

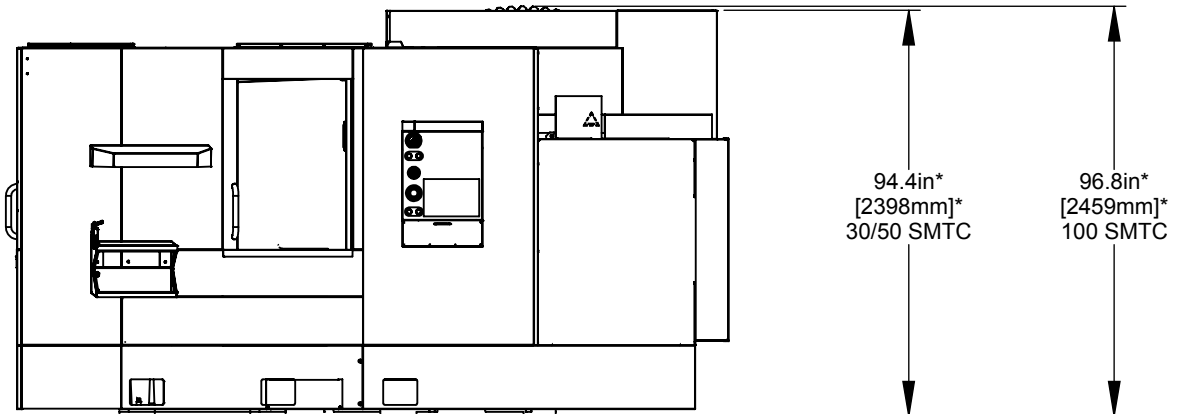
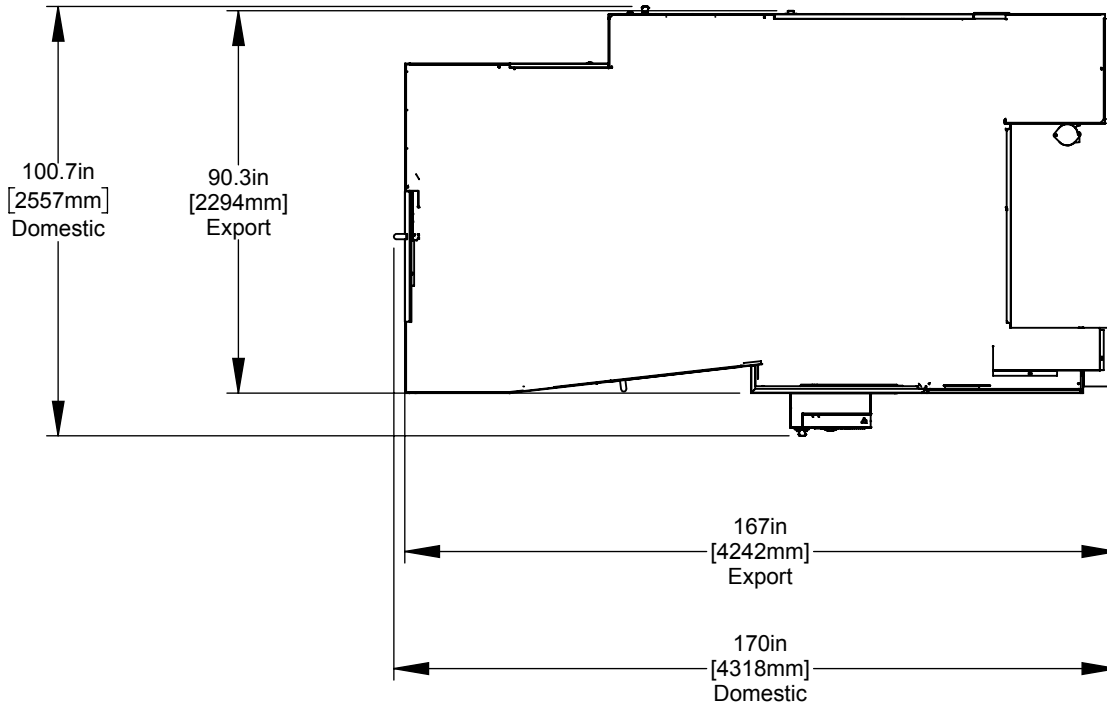


Anchor Pattern

Datum corner is the theoretical intersection of the electrical cabinet and pneumatic cabinet faces as it does not change based on options or configuration



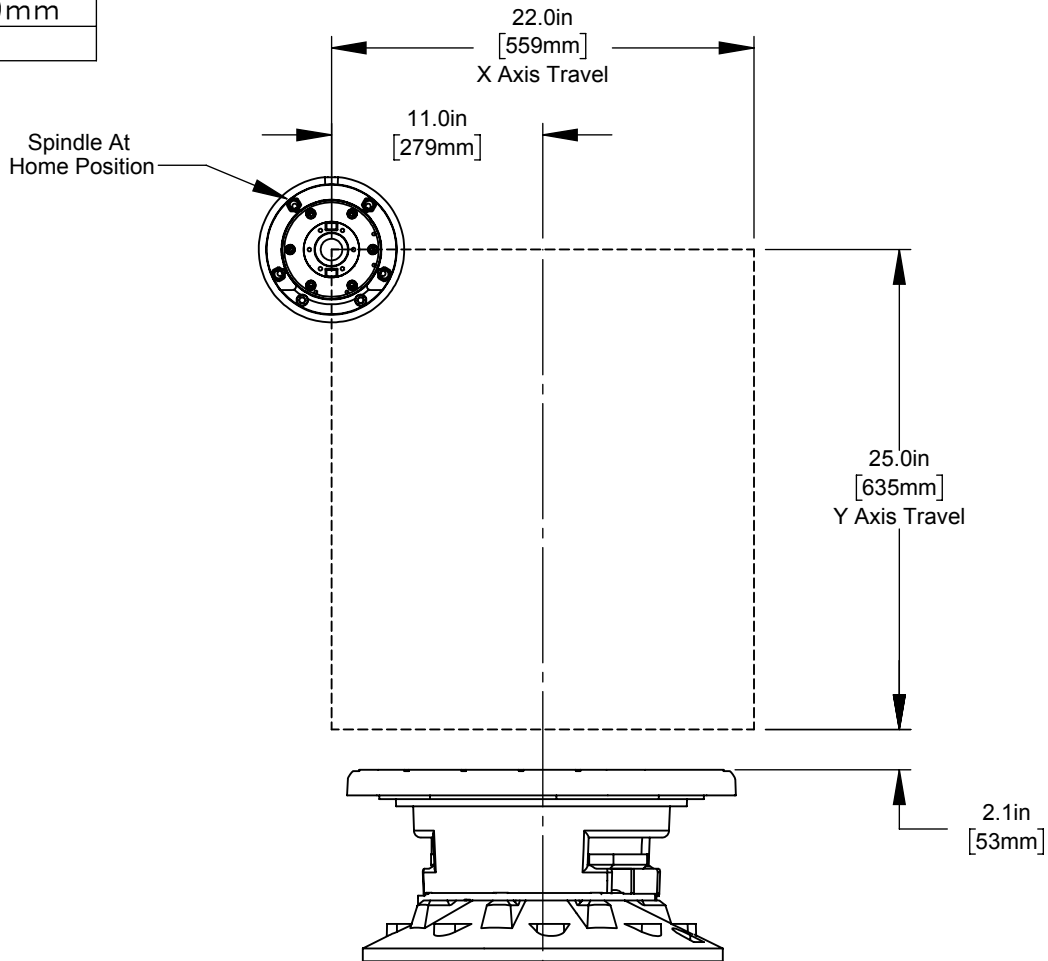
As Shipped



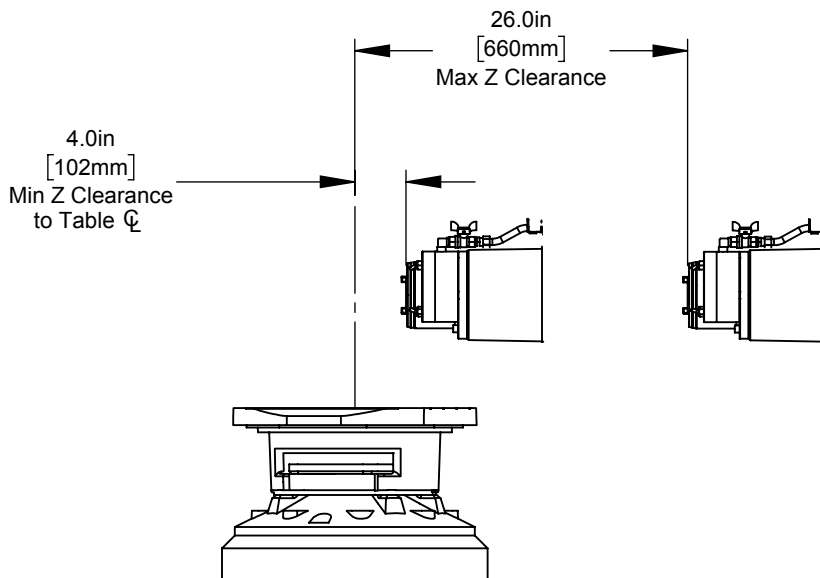
\*Domestic Shipping Pallet adds 9.0in [229mm] to height  
\*Export Shipping Pallet adds 3.5in [89mm] to height

Max Travels		
X	22in	559mm
Y	25in	635mm
Z	22in	559mm
A	360°	

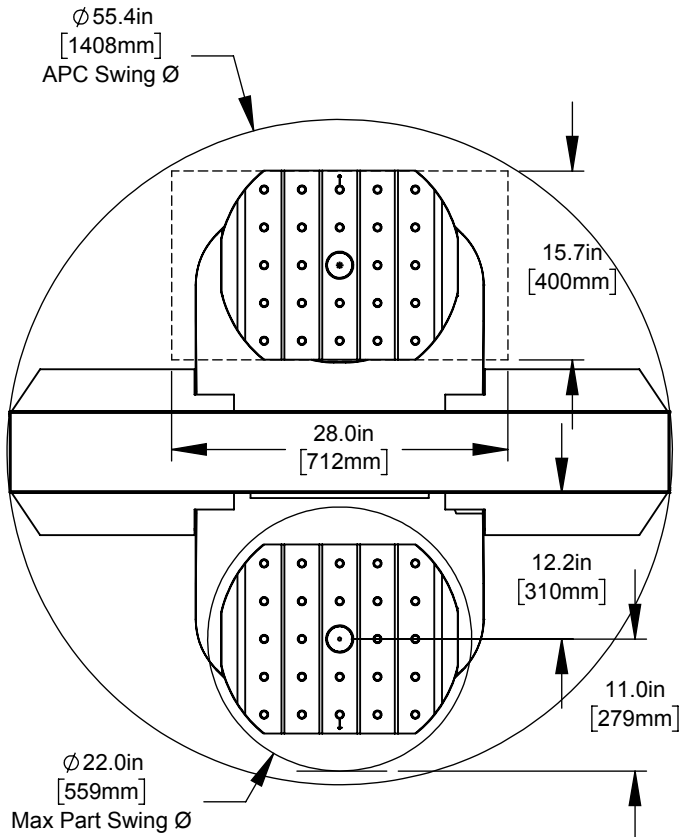
X&Y-Axis Clearance



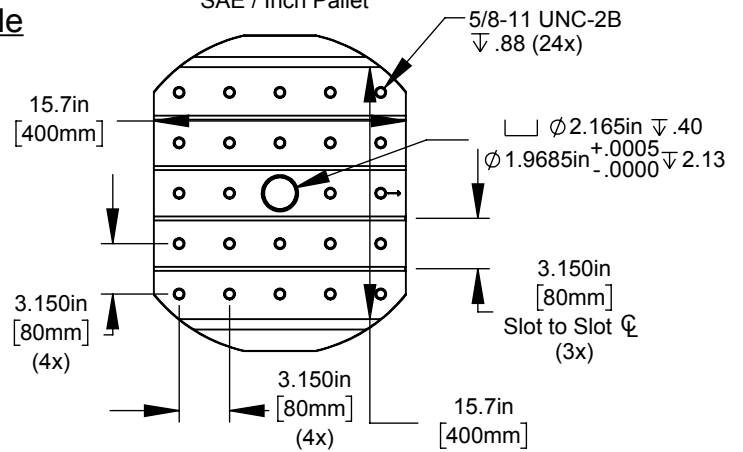
Z-Axis Clearance



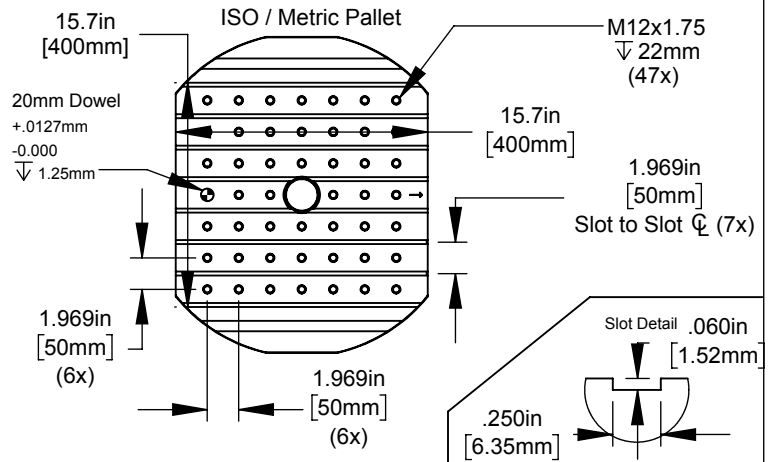
Table



SAE / Inch Pallet



ISO / Metric Pallet



Tool Changer

