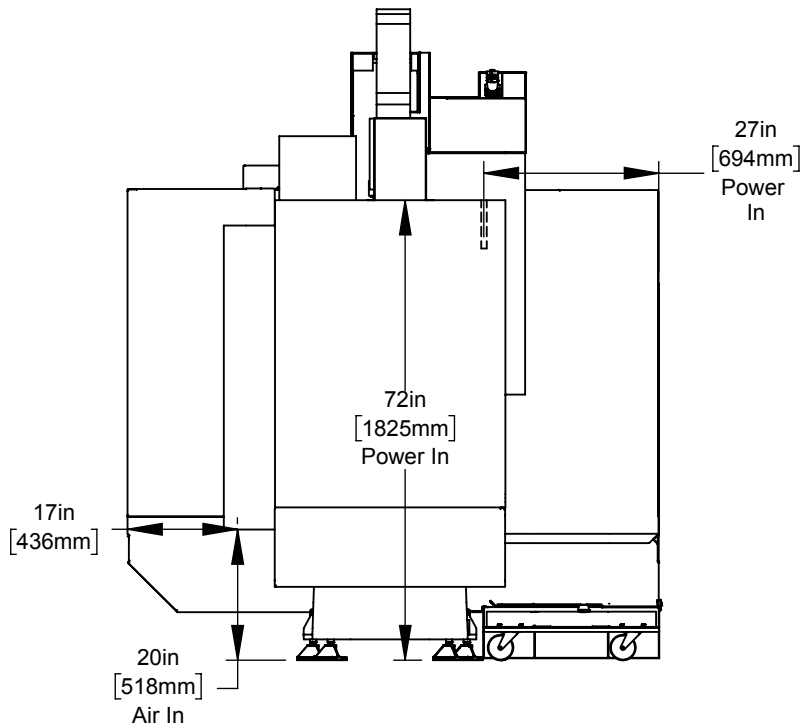


All dimensions based on stackup of sheetmetal, subject to variation of 1/2" ( 13 mm)  
\*\*Add 4" (101.6mm) for EC4 (Extended Clearance Option)

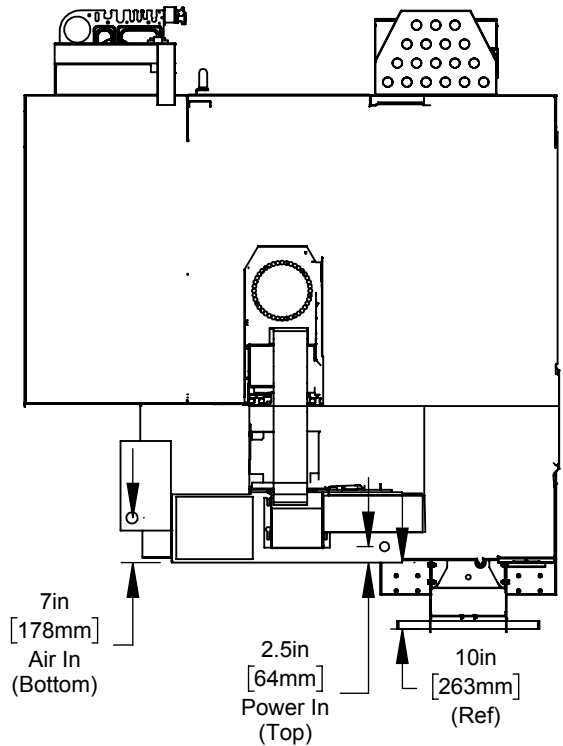
\*Due to continual product improvements, machine dimensions are subject to change without notice.

Air & Power

Back View

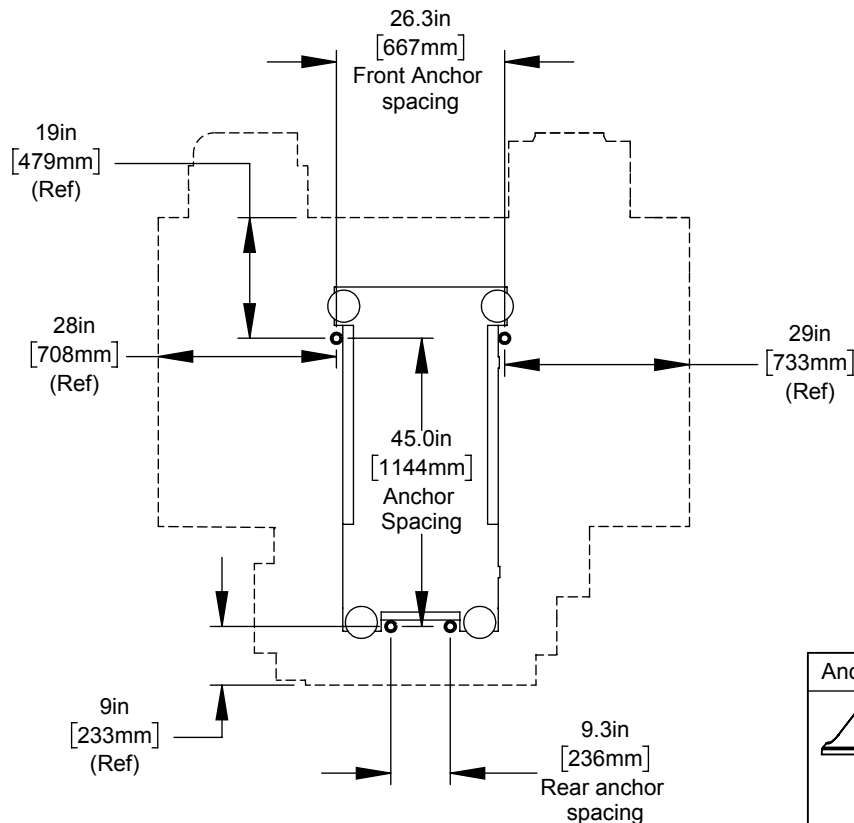


TopView

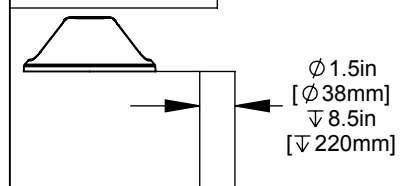


All dimensions based on stackup of sheetmetal, subject to variation of 1/2" ( 13 mm)  
\*\*Add 4" (101.6mm) for EC4 (Extended Clearance Option)

Anchor Pattern



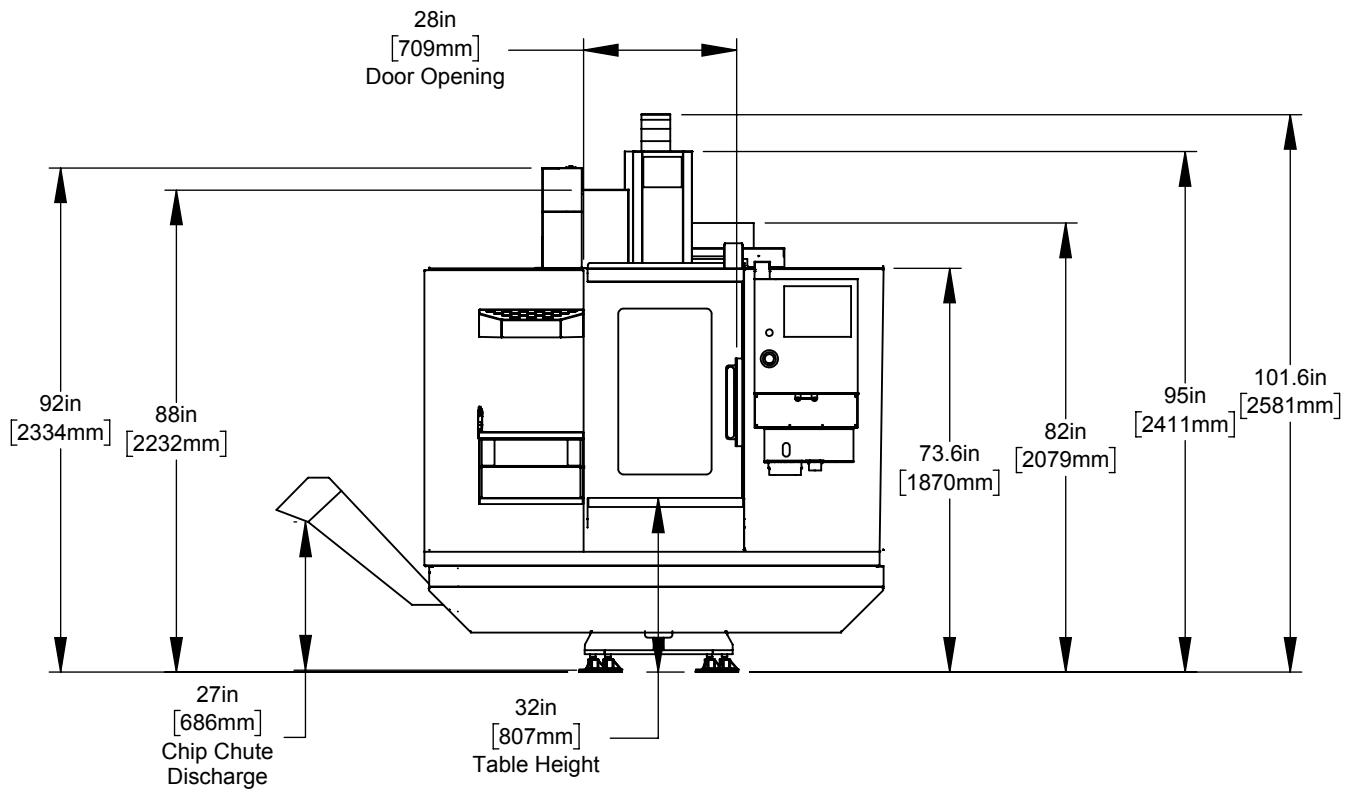
Anchor Hole Detail



For use with Anchor Kit # 30-4535  
\*Applies to DT/DM machines built from July 2018 and newer

\*Due to continual product improvements, machine dimensions are subject to change without notice.

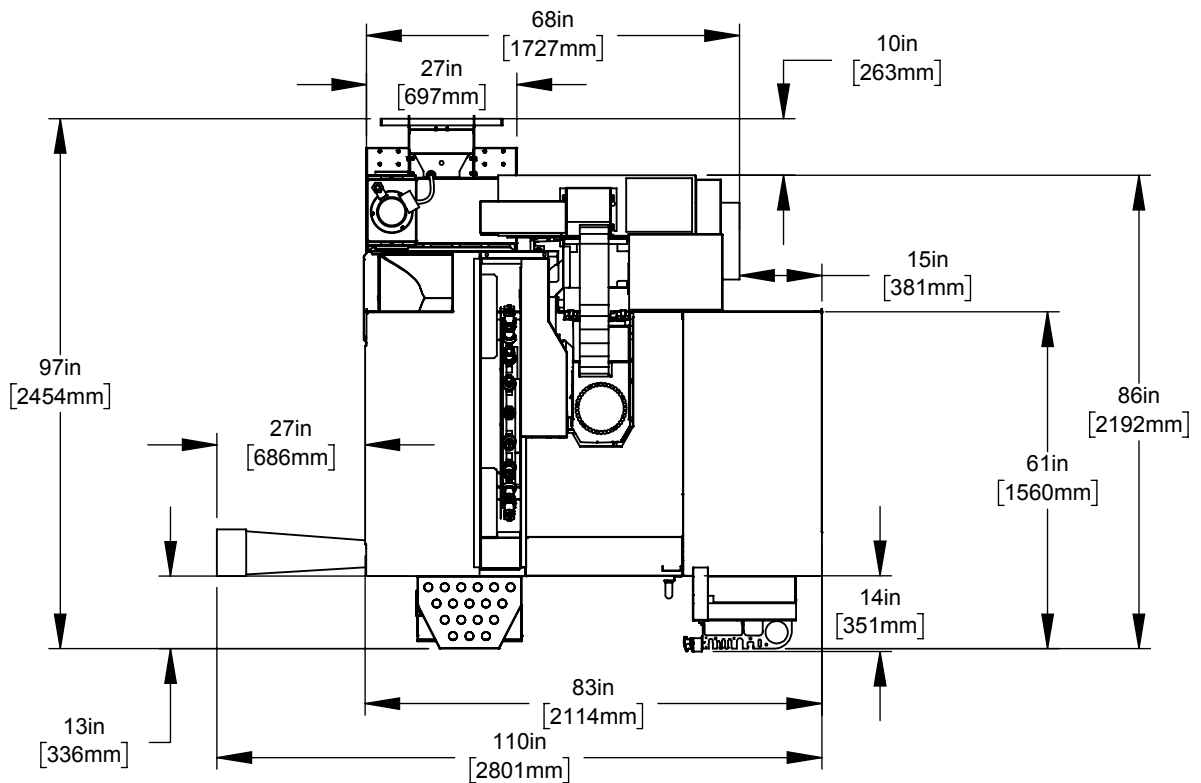
Height Breakdown\*\*



All dimensions based on stackup of sheetmetal, subject to variation of 1/2" ( 13 mm)

\*\*Add 4" (101.6mm) for EC4 (Extended Clearance Option)

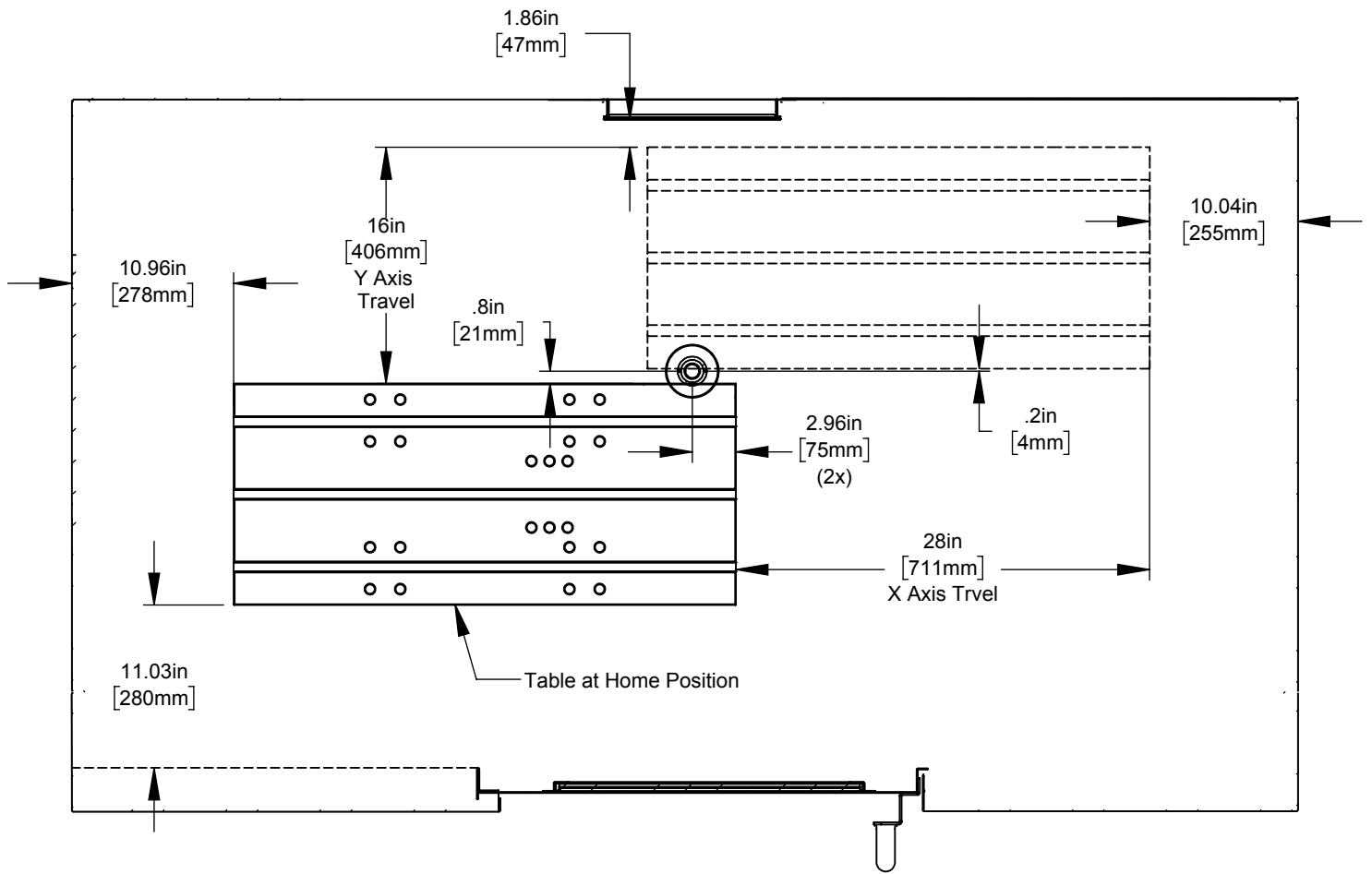
Width Breakdown



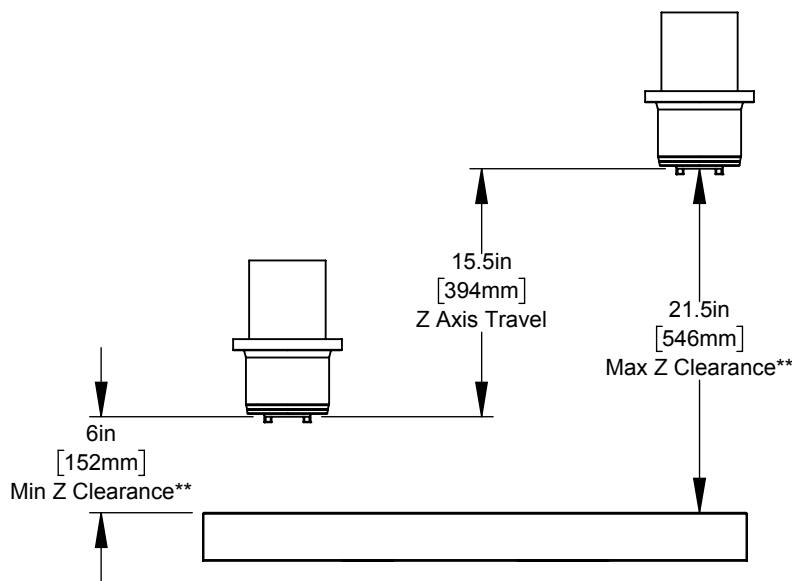
All dimensions based on stackup of sheetmetal, subject to variation of 1/2" ( 13 mm)

\*Due to continual product improvements, machine dimensions are subject to change without notice.

X&Y-Axis Clearance



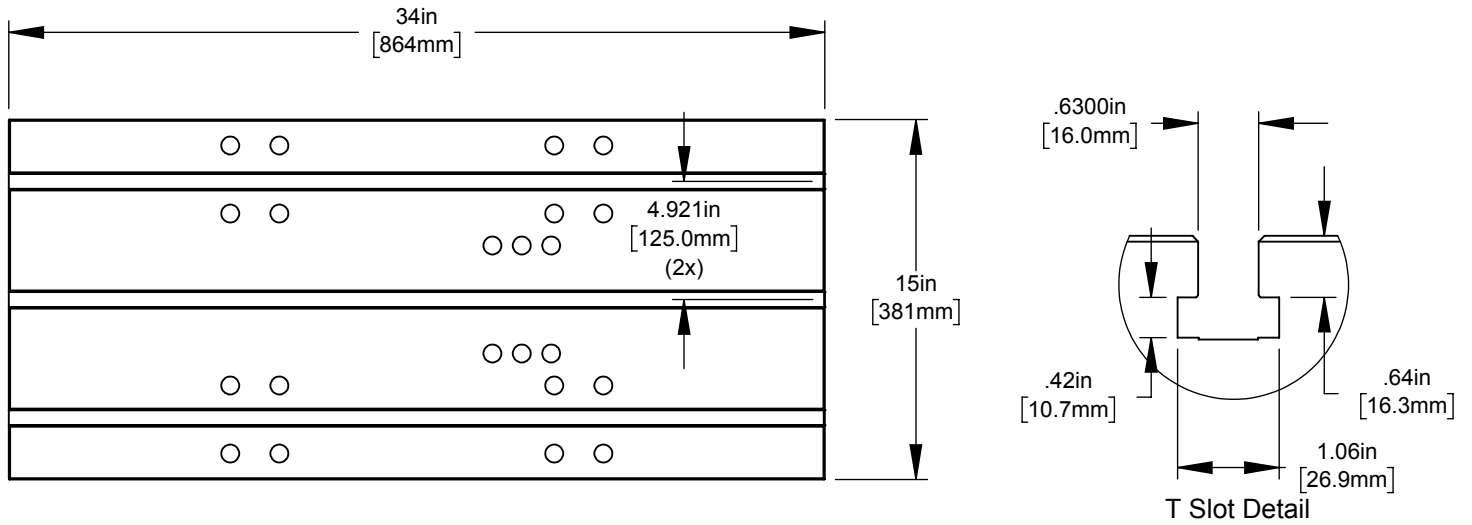
Z-Axis Clearance\*\*



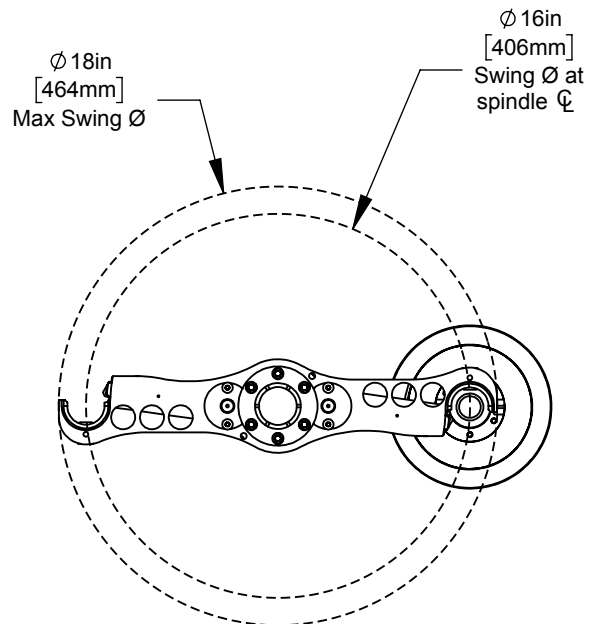
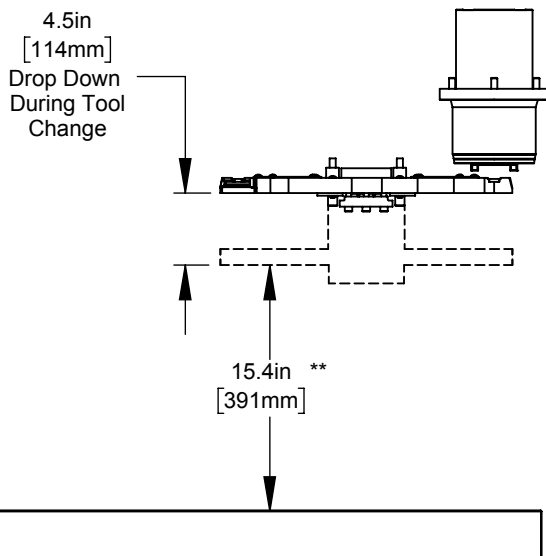
\*\*Add 4" (101.6mm) for EC4 (Extended Clearance Option)

\*Due to continual product improvements, machine dimensions are subject to change without notice.

Table



Tool Changer



\*\*Add 4" (101.6mm) for EC4 (Extended Clearance Option)