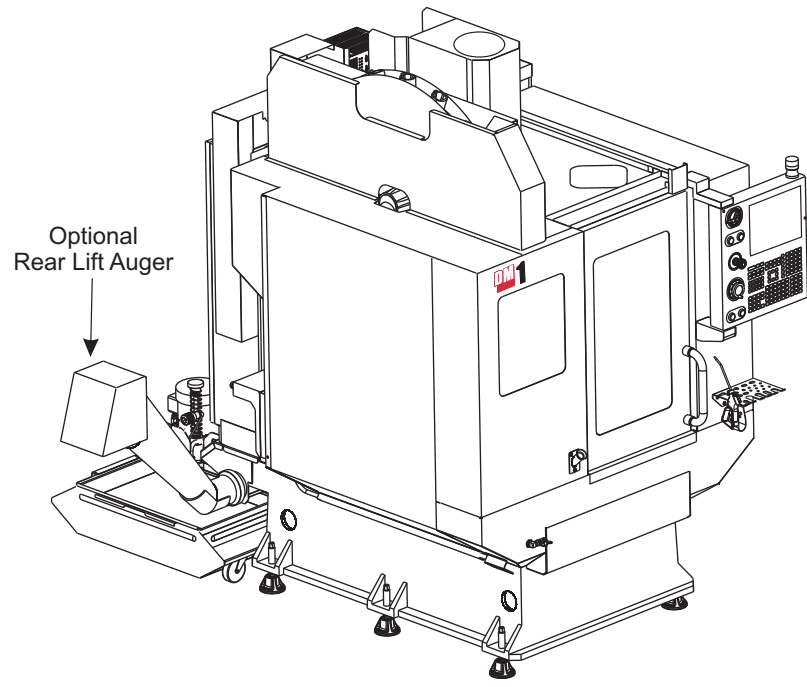


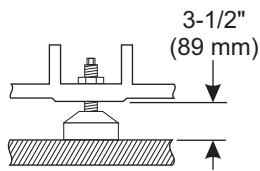


DM-1 Machine Layout Drawing



Optional Rear Lift Auger

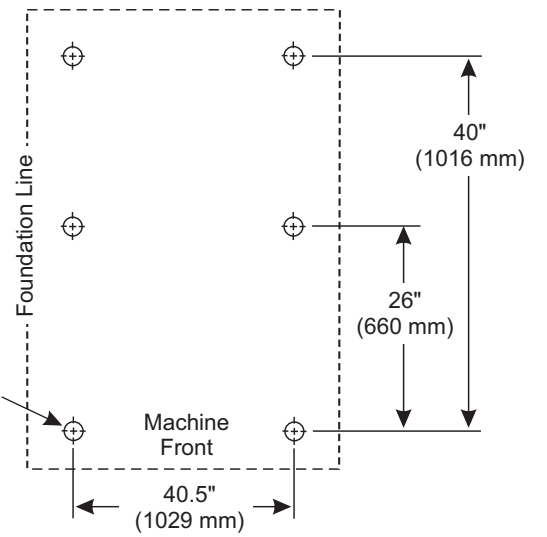
- ① Electrical Connection
- ② Air Connection



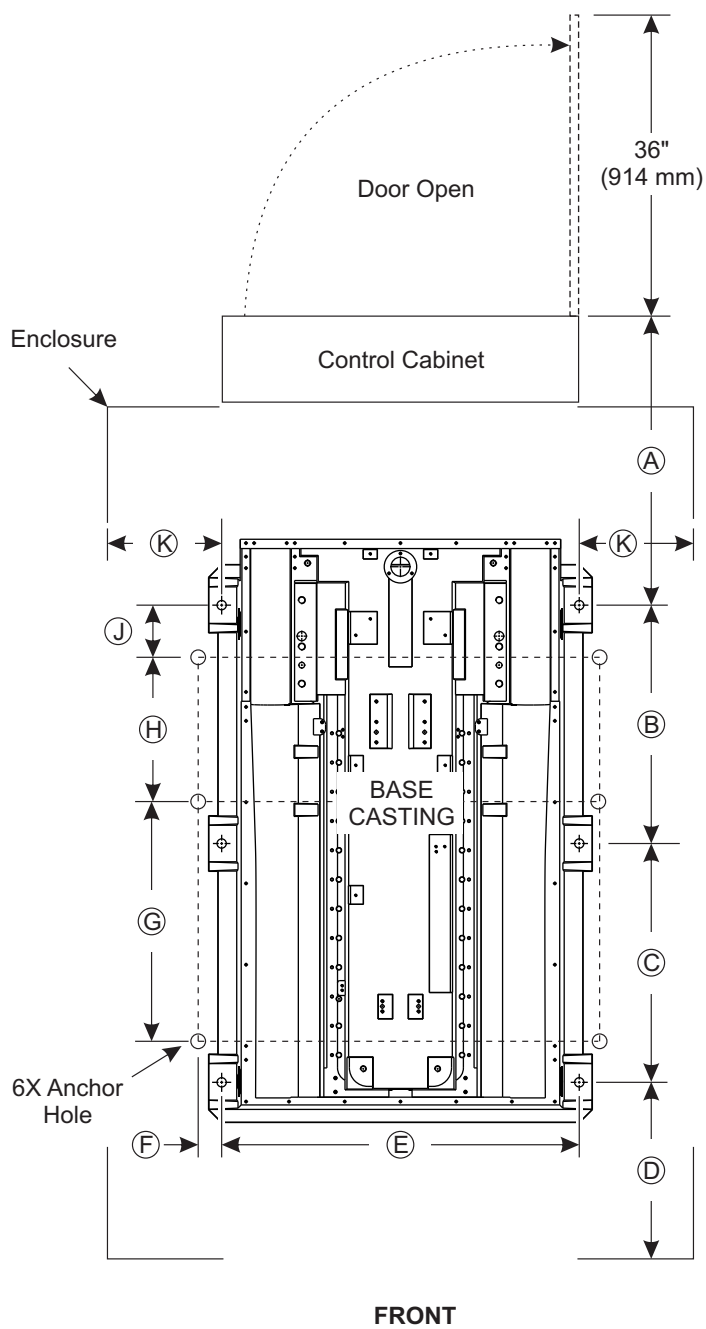
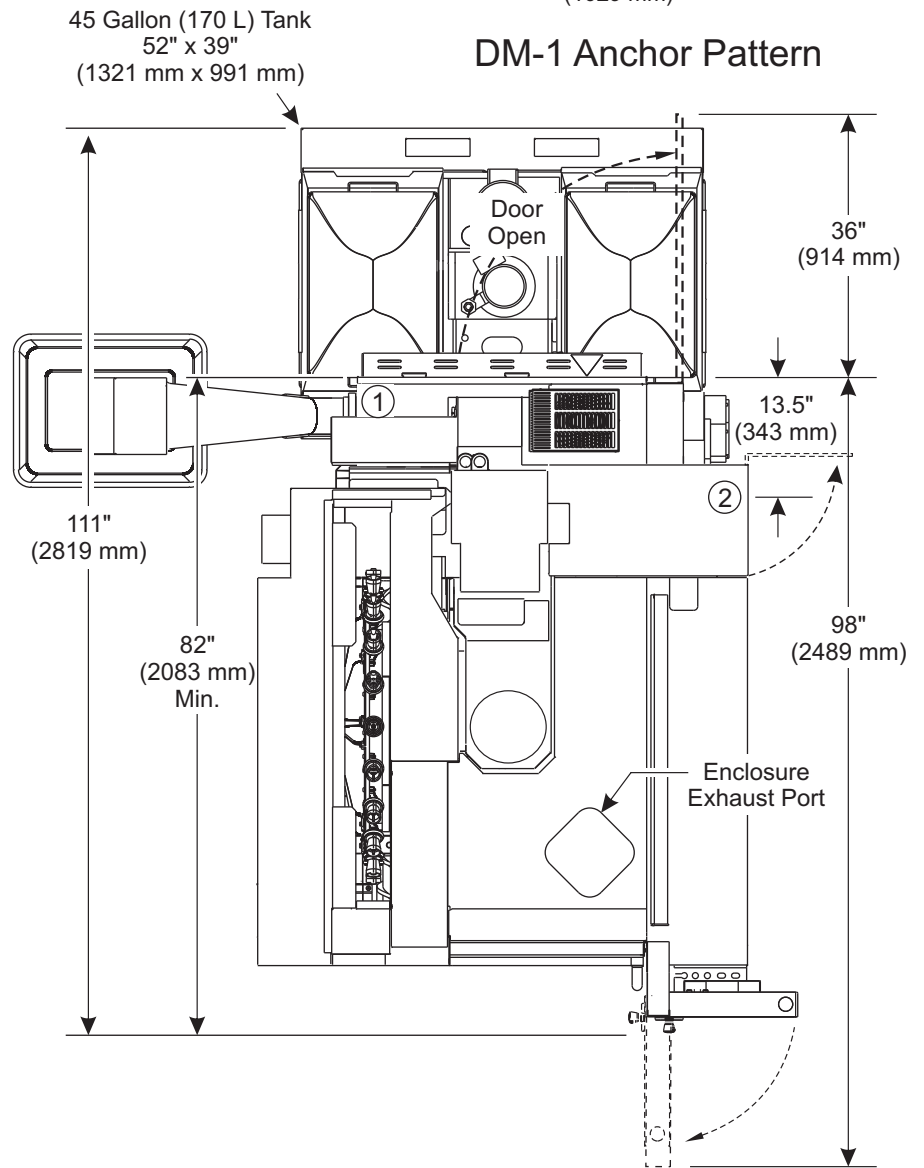
6X Leveling Pad Pin Dimension

Note:
Foundation must extend at least 1 ft. (305 mm) from bored holes.

(6X) Ø1.5 x 8.5" DP
(6X) Ø38 x 216 mm DP



DM-1 Anchor Pattern

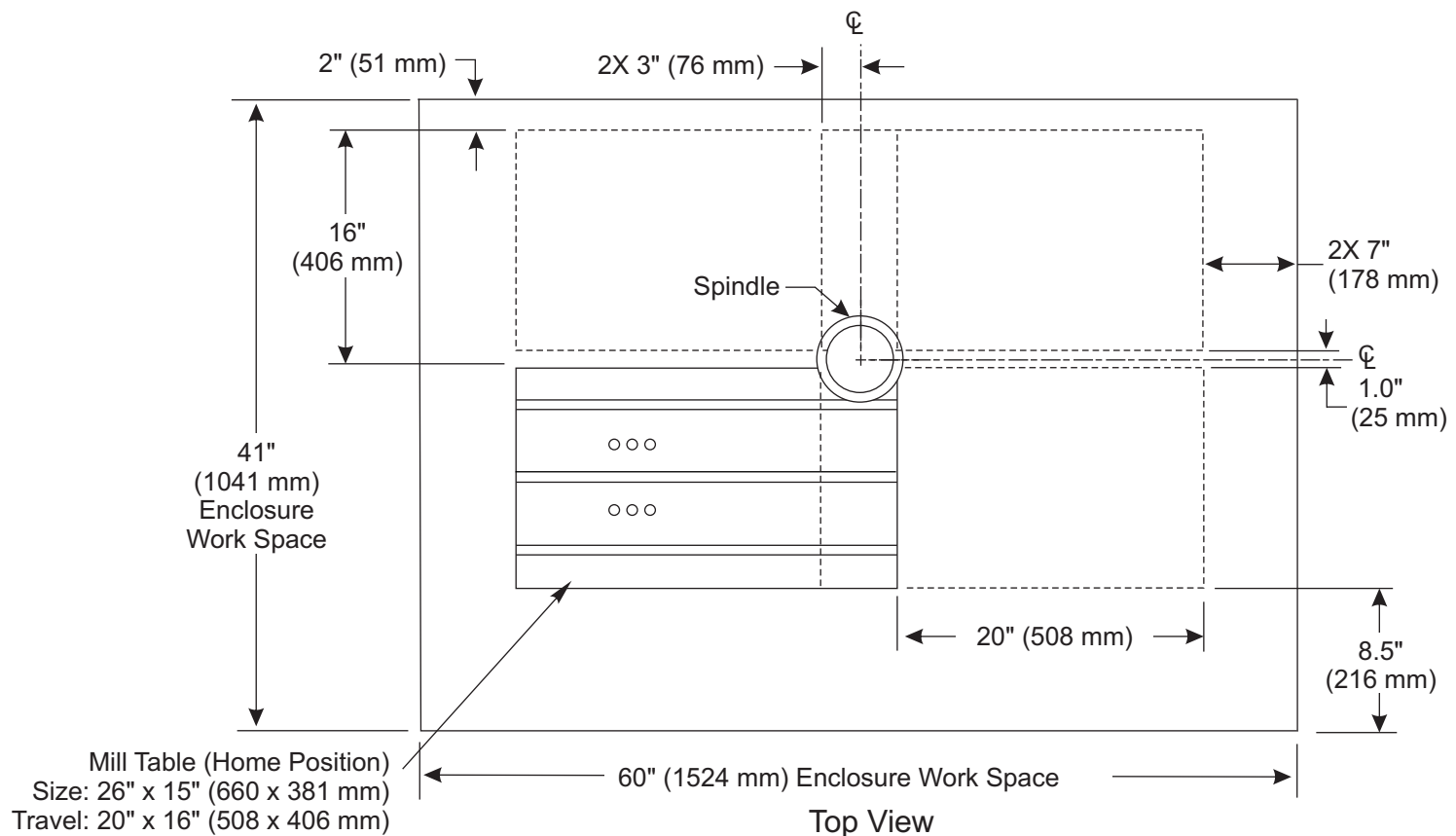
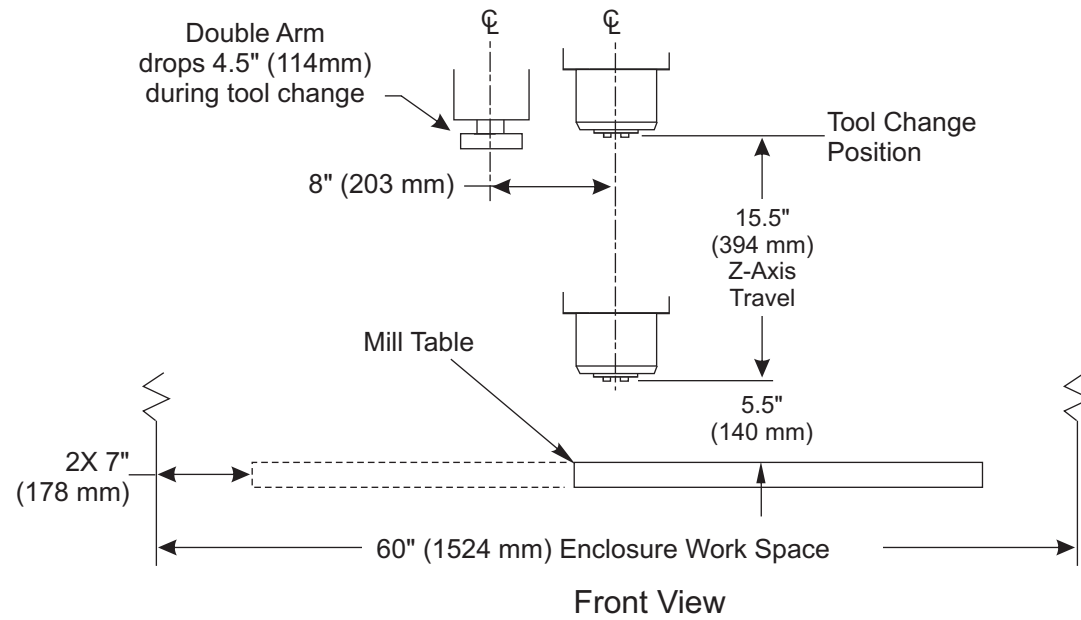
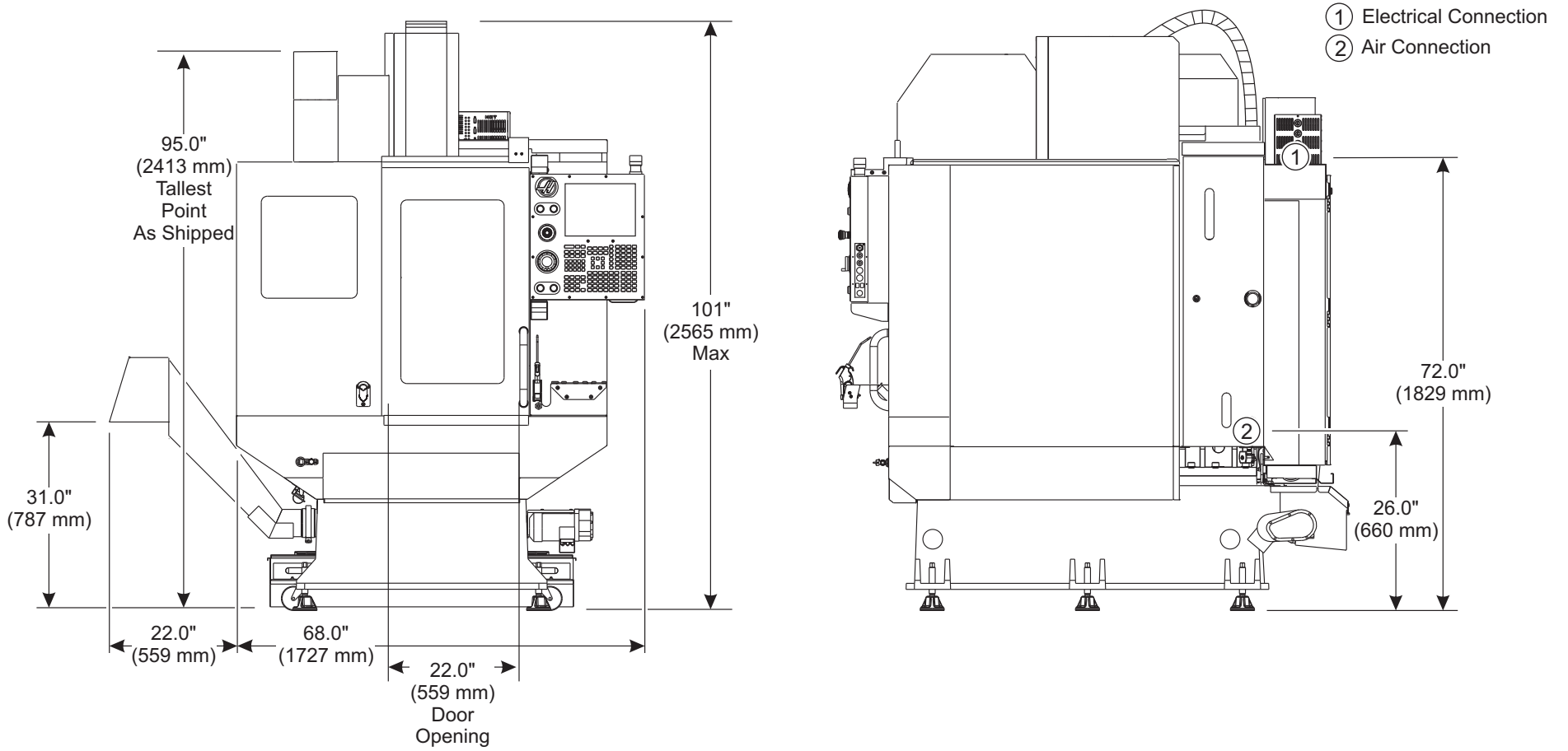


FRONT

	SAE	METRIC
A	14.65"	372 mm
B	25.66"	652 mm
C	25.71"	653 mm
D	7.20"	183 mm
E	38.50"	978 mm
F	1.00"	25 mm
G	26.00"	660 mm
H	14.00"	356 mm
J	6.00"	152 mm
K	11.25"	286 mm

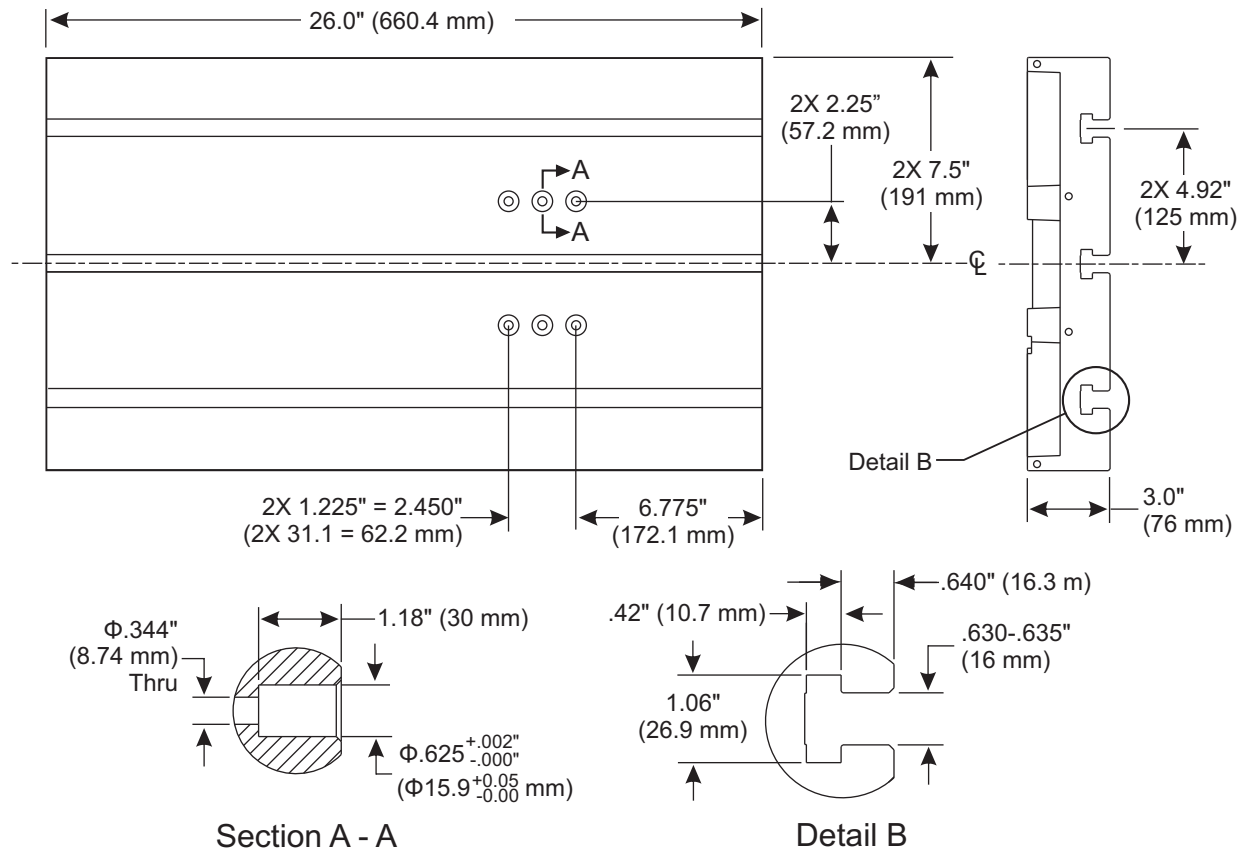


DM-1 Machine Layout Drawing





DM-1 Machine Layout Drawing



DM-1 Table Dimensions