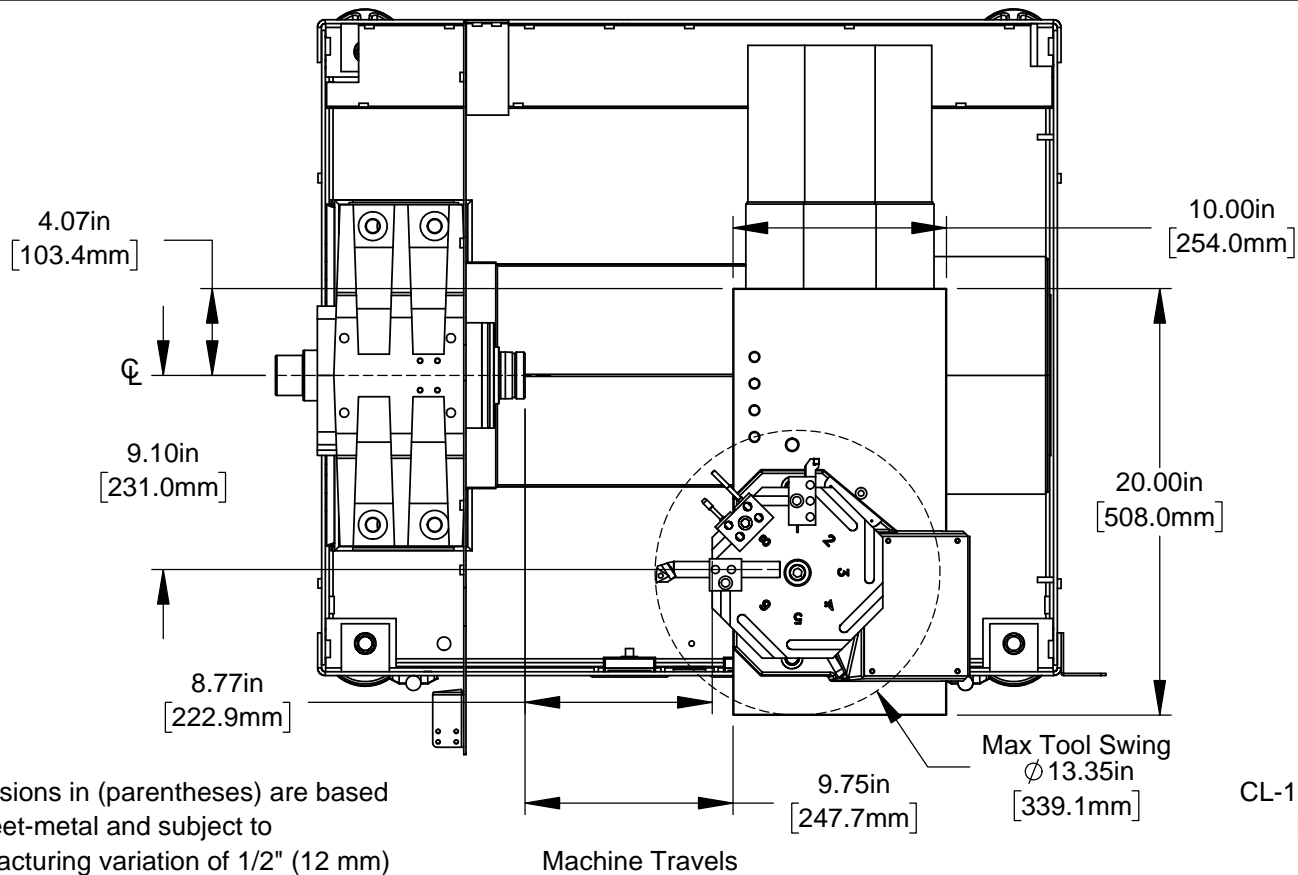
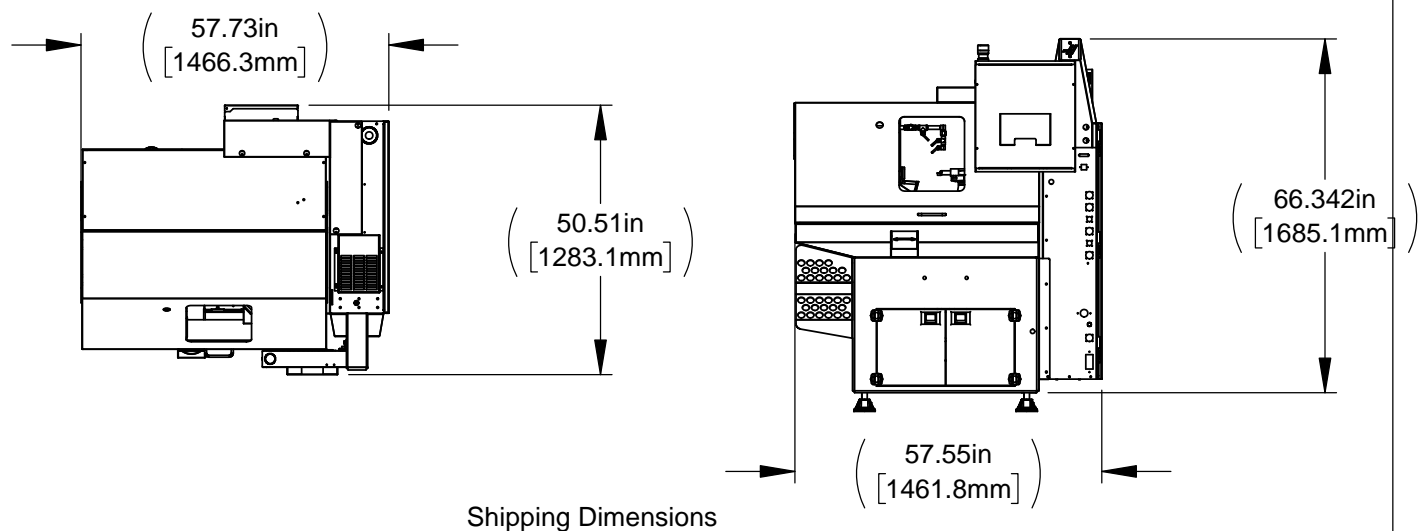
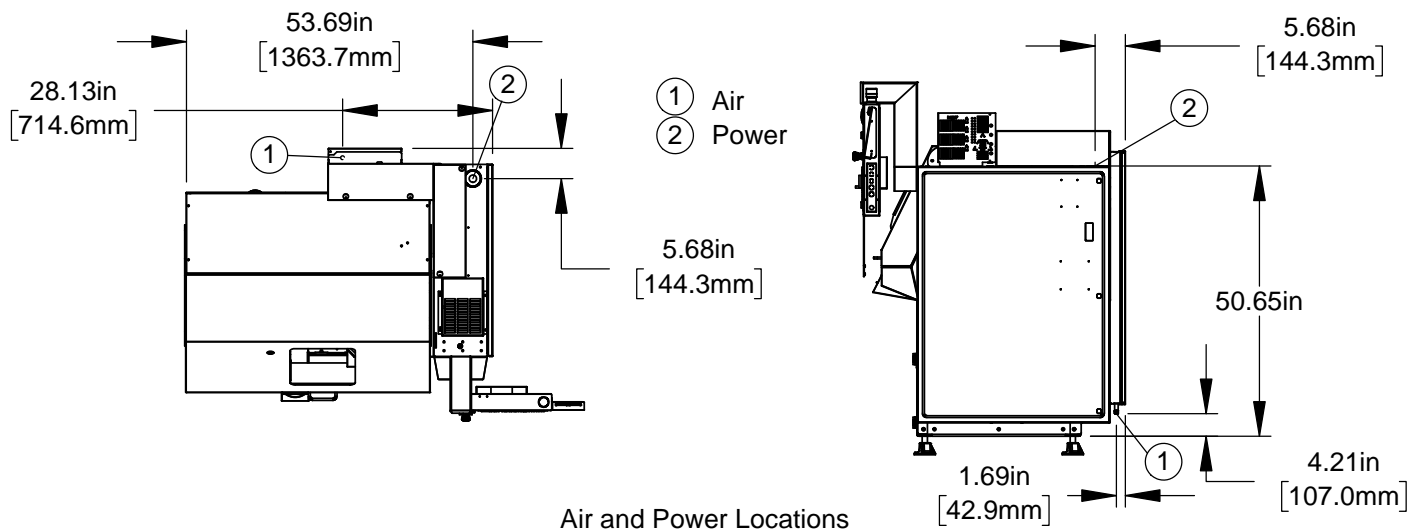


Dimensions in (parentheses) are based on sheet-metal and subject to manufacturing variation of 1/2" (12 mm)

Operating Dimensions



Dimensions in (parentheses) are based on sheet-metal and subject to manufacturing variation of 1/2" (12 mm)